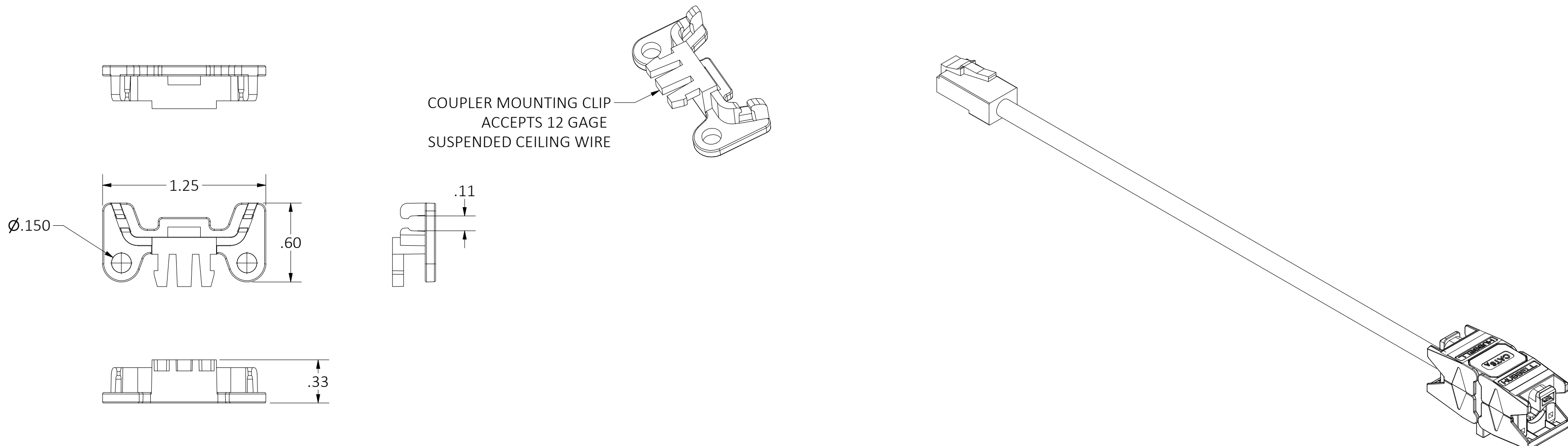
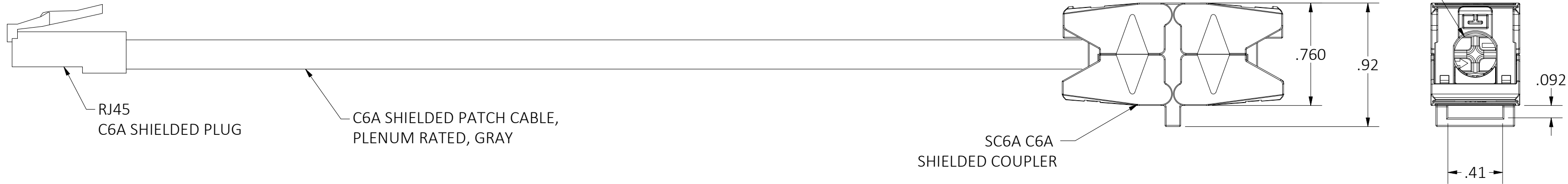
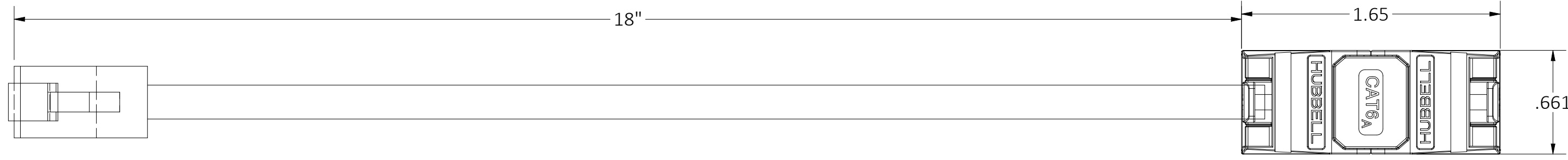


CATALOG	DESCRIPTION
SCP6A	MPTL ASSY,C6A,SHIELDED,COBRA,18",SILVER



COUPLER MOUNTING CLIP  
ACCEPTS 12 GAGE  
SUSPENDED CEILING WIRE



NOTES:

1. PRODUCT INCLUDES THE FOLLOWING:

- (1) 18" SINGLE ENDED C6A SHIELDED PATCH CORD TERMINATED TO SC6A COUPLER ASSEMBLY
- (1) 1 WHITE WIRE MANAGER
- (1) WIRE TIE
- (1) COUPLER MOUNTING CLIP
- (1) INSTRUCTION SHEET

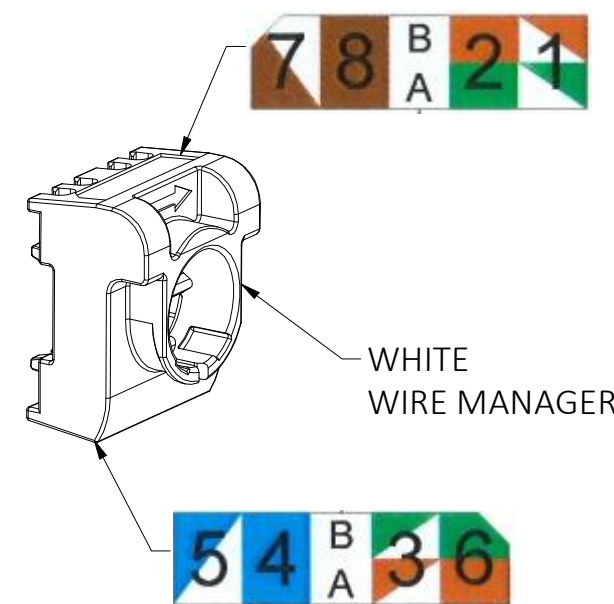
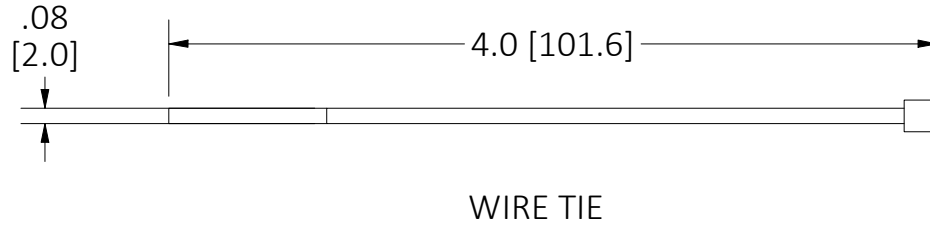
2. MATERIALS:

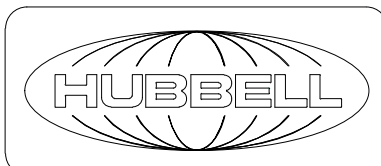
COUPLER HOUSING: ZINC ALLOY  
WIRE MANAGERS: UL94 V-0 RATED THERMOPLASTIC  
MOUNTING CLIP: UL94 V-0 RATED THERMOPLASTIC  
CONTACTS: TIN PLATED PHOSPHOR BRONZE ALLOY  
PATCH CORD: SHIELDED C6A, PLENUM RATED, GRAY

3. IDC TERMINATION ACCEPTS WIRE GAUGE: 22 TO 26 AWG.

4. COMPLIES WITH TIA 568.2-D CATEGORY 6A MPTL PERFORMANCE.

5. SPECIFICATIONS SUBJECT TO CHANGE WITHOUT NOTICE.



Created on INVENTOR	DIMENSIONING AND TOLERANCE PER ANSI Y14.5M-1982 UNLESS OTHERWISE SPECIFIED, DIMENSIONS ARE IN INCHES (MM). TOLERANCES: XX = ±.01 (.25) .XXX = ±.005 (.127) .XXXX = ±.0025 (.0635) ANGLE TOL ±1°		PROJECT REFERENCE: NPD-03385		 <b>Hubbell Premise Wiring</b> HUBBELL INCORPORATED (Delaware) 23 CLARA DRIVE, SUITE 103 MYSTIC, CT 06355					
	IN ACCEPTING OUR DRAWINGS, BLUEPRINTS, OR SUPPORTING DOCUMENTATION FOR QUOTATION OR OTHER PURPOSES, YOU AGREE NOT TO DISCLOSE TO OTHERS THE IDEAS, INFORMATION, OR DESIGNS SHOWN HEREIN, AND THAT YOU WILL MAKE NO USE OF SAME WITHOUT PERMISSION		MATERIAL:							
			DRAWN BY: D.O'CONNOR 10/8/21		TITLE: 18 INCH C6A SHIELDED MPTL ASSEMBLY					
			CHECKED BY:		<table border="1"> <tr> <td>SIZE</td> <td>DRAWING NO.</td> <td>REV.</td> </tr> <tr> <td>C</td> <td>HWS15079C</td> <td>1</td> </tr> </table>	SIZE	DRAWING NO.	REV.	C	HWS15079C
SIZE	DRAWING NO.	REV.								
C	HWS15079C	1								
		APPROVED BY:		SCALE: SHEET 1 OF 1						

1	211129014780	12/15/21	INITIAL RELEASE	DPO	MMA
REV.	ECN	DATE	DESCRIPTION	CHG BY	APPD BY