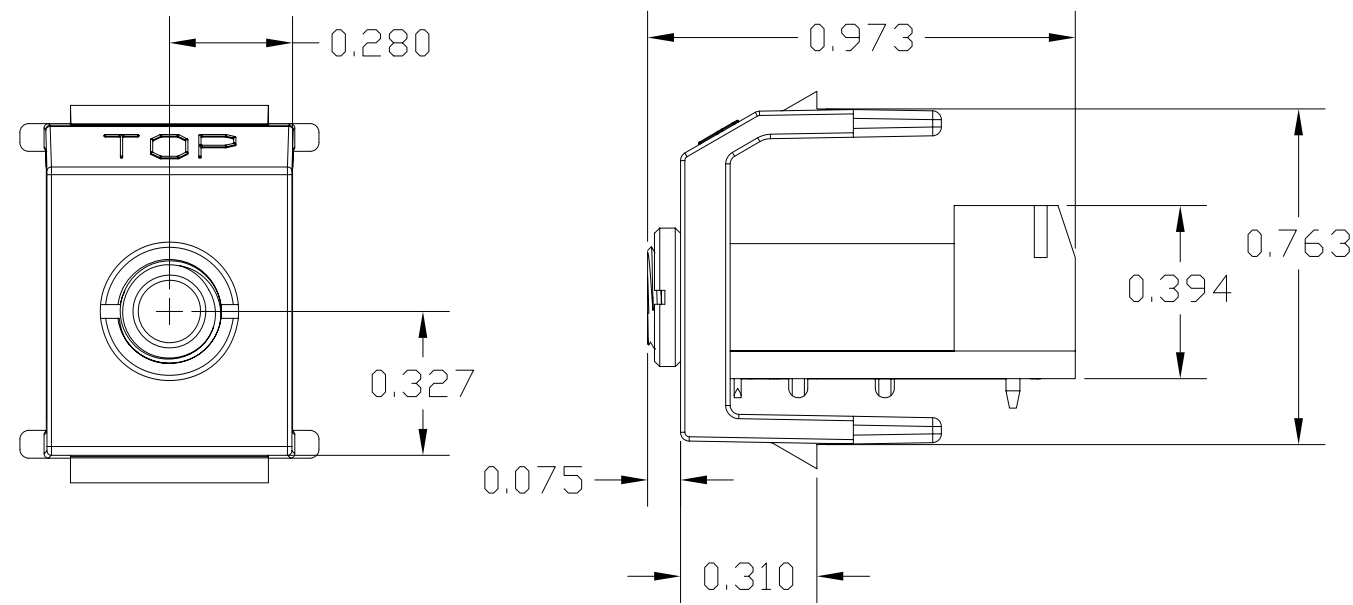
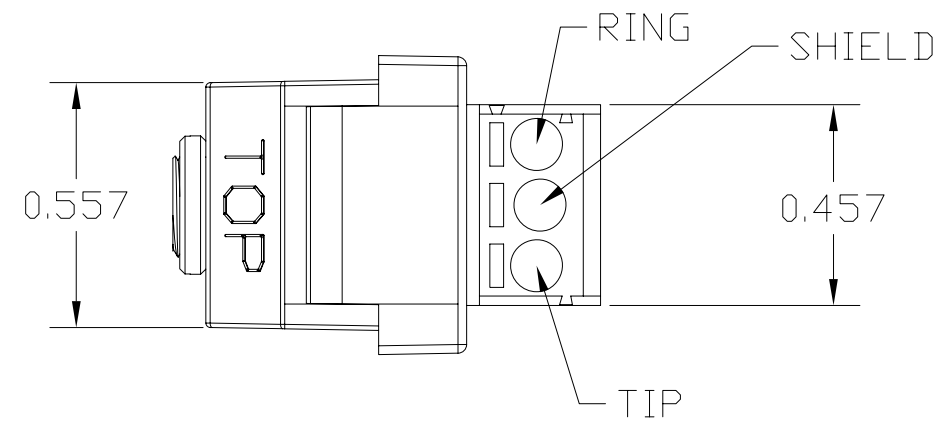
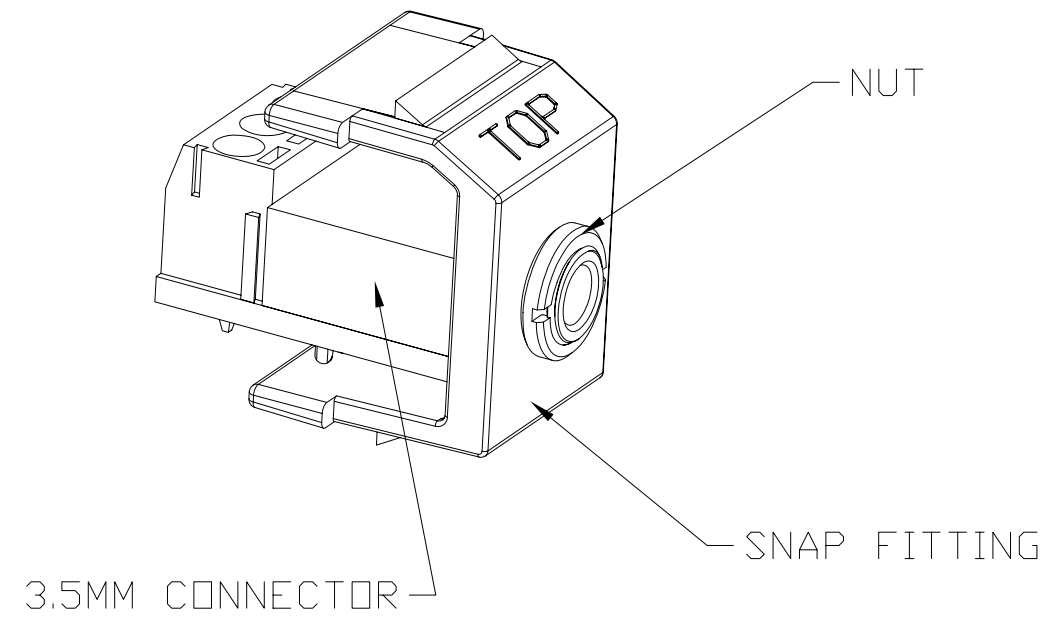


6 5 4 3 2 1


CATALOG NUMBER	COLOR	DESCRIPTION
SF35STOW	OFFICE WHITE	3.5MM SCREW TERM SF
SF35STBK	BLACK	3.5MM SCREW TERM SF
SF35STGY	GRAY	3.5MM SCREW TERM SF
SF35STEI	ELECTRIC IVORY	3.5MM SCREW TERM SF
SF35STW	WHITE	3.5MM SCREW TERM SF
SF35STAL	ALMOND	3.5MM SCREW TERM SF
SF35STLA	LIGHT ALMOND	3.5MM SCREW TERM SF



- NOTES:
1. SNAP FIT MADE FROM UL-94 V-0 RATED THERMOPLASTIC.
  2. WIRE RANGE: 16 TO 22 AWG.
  3. WIRE STRIP LENGTH: 5mm TO 6mm.
  4. SPECIFICATIONS SUBJECT TO CHANGE WITHOUT PRIOR NOTICE.

REV.	ECN	DATE	DESCRIPTION	CHG BY	APPD BY
A	5959	9/29/06	INITIAL RELEASE	DPO	

Created on AUTOCAD	DIMENSIONING AND TOLERANCE PER ANSI Y14.5M-1982 UNLESS OTHERWISE SPECIFIED, DIMENSIONS ARE IN INCHES (MM). TOLERANCES .XX = ±.01 (.25) .XXX = ±.005 (.127) .XXXX = ±.0025 (.0635) ANGLE TOL ±1°		PROJECT REFERENCE: 2005-020
	IN ACCEPTING OUR DRAWINGS, BLUEPRINTS, OR SUPPORTING DOCUMENTATION FOR QUOTATION OR OTHER PURPOSES, YOU AGREE NOT TO DISCLOSE TO OTHERS THE IDEAS, INFORMATION, OR DESIGNS SHOWN HEREIN, AND THAT YOU WILL MAKE NO USE OF SAME WITHOUT PERMISSION		MATERIAL: n/a
			DRAWN BY: D.O'CONNOR 9/29/06
			CHECKED BY:
		APPROVED BY:	

 <b>Hubbell Premise Wiring</b> HUBBELL INCORPORATED (Delaware) 14 Lord's Hill Road, Stonington, Connecticut 06378		TITLE: 3.5mm STEREO JACK SCREW TERM SNAP FIT	
		SIZE: C	DRAWING NO. HWS12473C
SCALE: DNS		SHEET 1 OF 1	