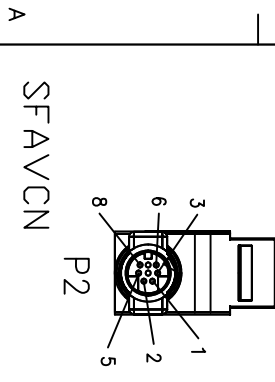
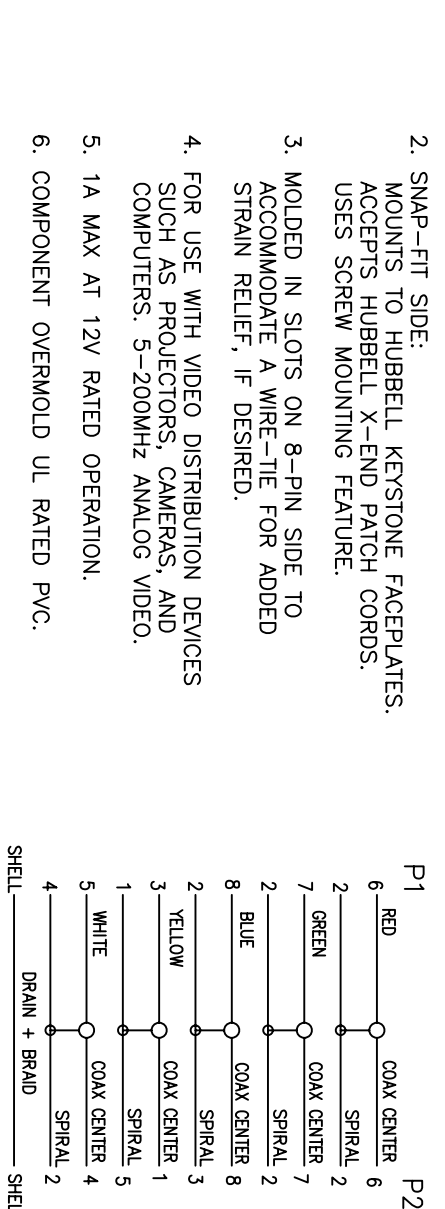
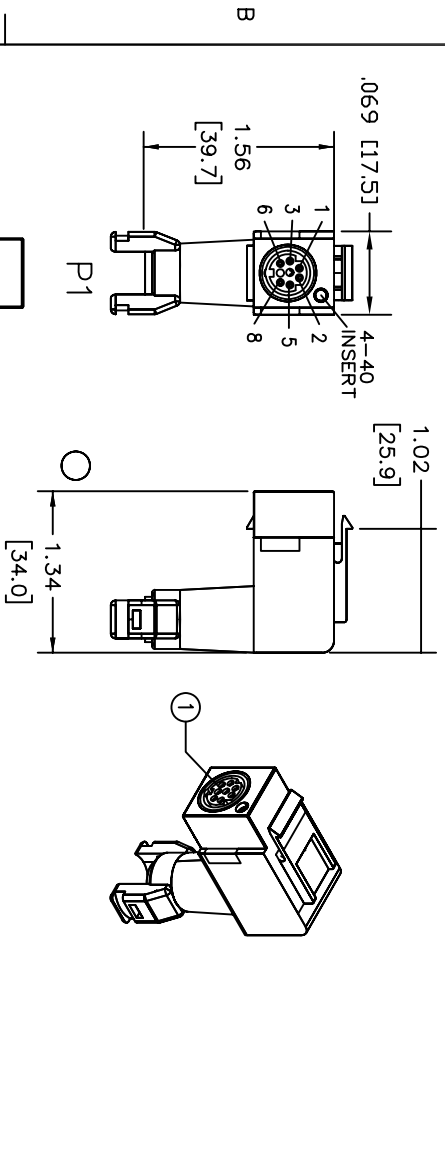
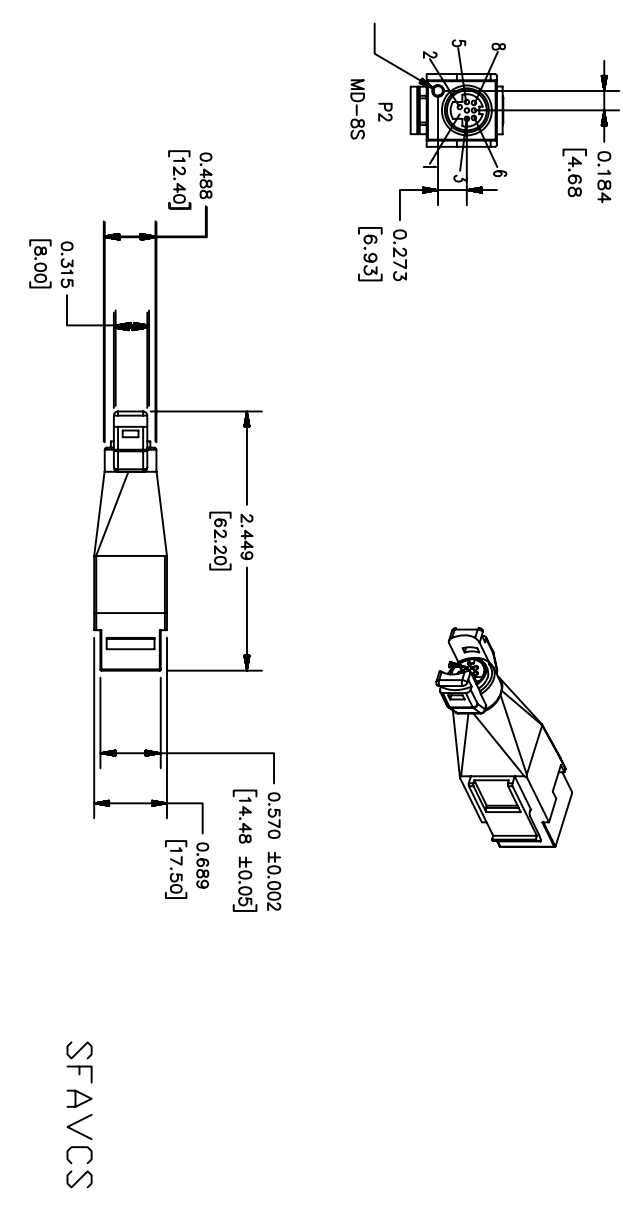
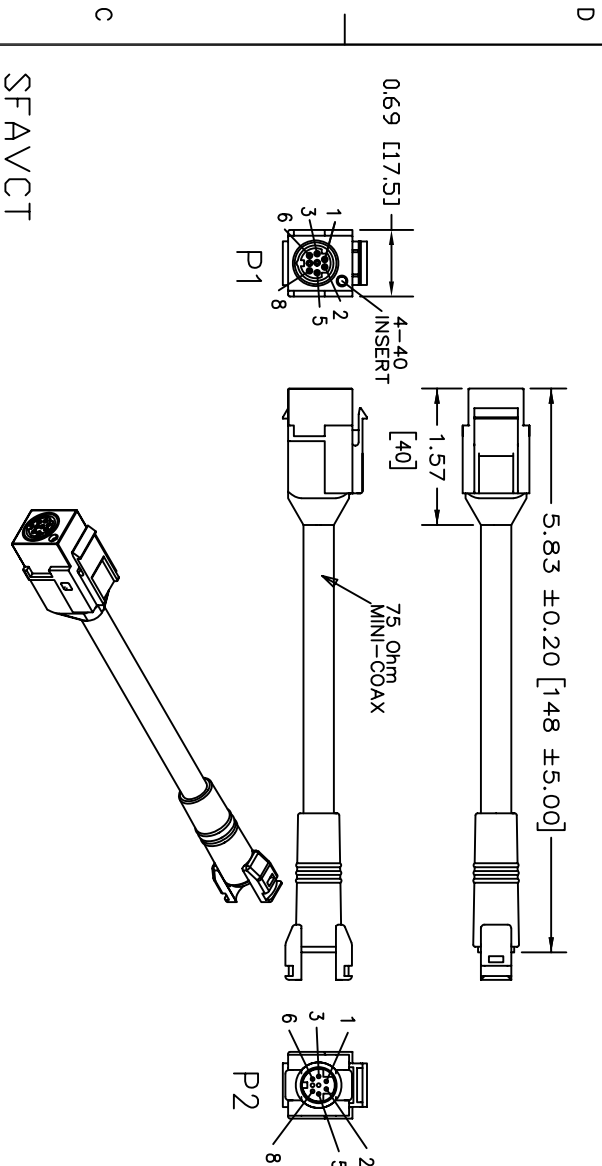
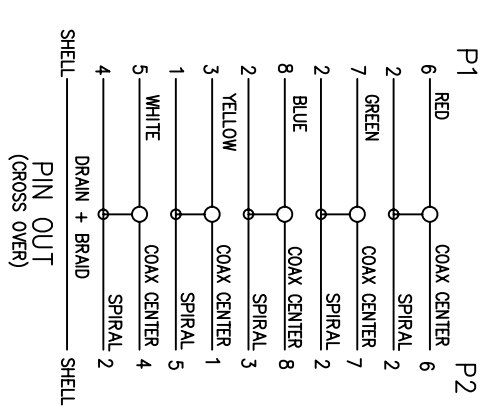


ITEM	DESCRIPTION	QTY
1	8 PIN FEMALE MINI DIN ADAPTER	1

CATALOG NUMBER	DESCRIPTION	SNAP FIT HOUSING COLOR	BODY COLOR
SFAVCN	8 PIN KEYSTONE FEM/FEM 90 DEG	BLACK	BLUE
SFAVCT	8 PIN KEYSTONE FEM/FEM PIGTAIL	BLACK	BLUE
SFAVCS	8 PIN KEYSTONE FEM/FEM STRAIGHT	BLACK	BLUE



- NOTES:
- CONTACTS: GOLD PLATED.
  - SNAP-FIT SIDE: MOUNTS TO HUBBELL KEYSTONE FACEPLATES. ACCEPTS HUBBELL X-END PATCH CORDS. USES SCREW MOUNTING FEATURE.
  - MOLDED IN SLOTS ON 8-PIN SIDE TO ACCOMMODATE A WIRE-TIE FOR ADDED STRAIN RELIEF, IF DESIRED.
  - FOR USE WITH VIDEO DISTRIBUTION DEVICES SUCH AS PROJECTORS, CAMERAS, AND COMPUTERS. 5-200MHZ ANALOG VIDEO.
  - 1A MAX AT 12V RATED OPERATION.
  - COMPONENT OVERMOLD UL RATED PVC.
  - SPECIFICATIONS SUBJECT TO CHANGE WITHOUT PRIOR NOTIFICATION.



REV.	ECN	DATE	DESCRIPTION	CHG BY	APPD BY
A	6640	10/6/09	INITIAL RELEASE	DAA	

Created on AUTOCAD

DIMENSIONING AND TOLERANCE PER ANSI Y14.5M-1982 UNLESS OTHERWISE SPECIFIED, DIMENSIONS ARE IN INCHES (MM). TOLERANCES:  
 .XX = ±.01 (.25)  
 .XXX = ±.005 (.127)  
 .XXXX = ±.0025 (.0635)  
 ANGLE TOL ±1°

IN ACCEPTING OUR DRAWINGS, BLUEPRINTS, OR SUPPORTING DOCUMENTATION FOR QUOTATION OR OTHER PURPOSES, YOU AGREE NOT TO DISCLOSE TO OTHERS THE IDEAS, INFORMATION, OR DESIGNS SHOWN HEREIN, AND THAT YOU WILL MAKE NO USE OF SAME WITHOUT PERMISSION.

PROJECT REFERENCE: 2007-035

MATERIAL: SEE BOM

DRAWN BY: B MARTINO 03/10/09

CHECKED BY:

APPROVED BY:

TITLE: AV PLUG-IN-PLAY 8-PIN, KEYSTONE CONNECTORS

Hubbell Premise Wiring  
 HUBBELL INCORPORATED (Delaware)  
 14 Lord's Hill Road, Stonington, Connecticut 06378

SIZE: C DRAWING NO. HWS12757C

SCALE: N/A SHEET 1 OF 1