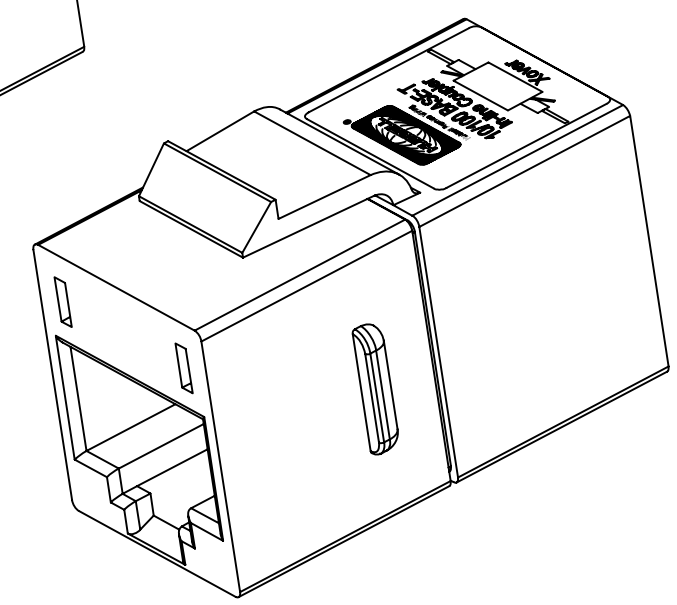
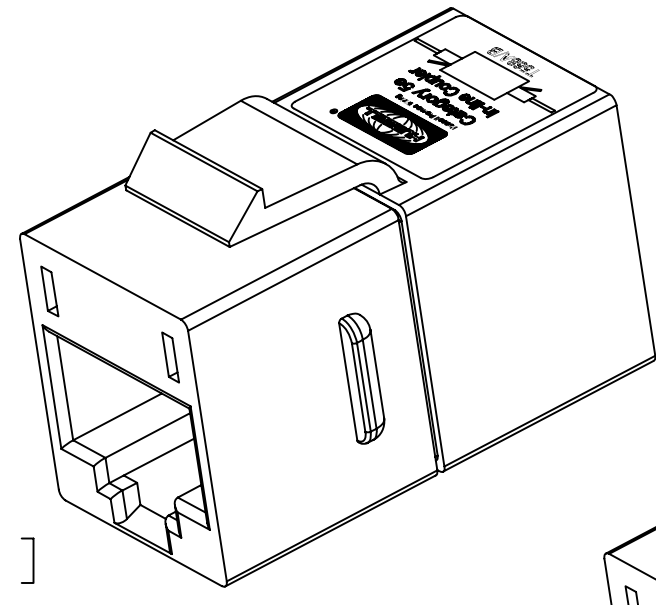
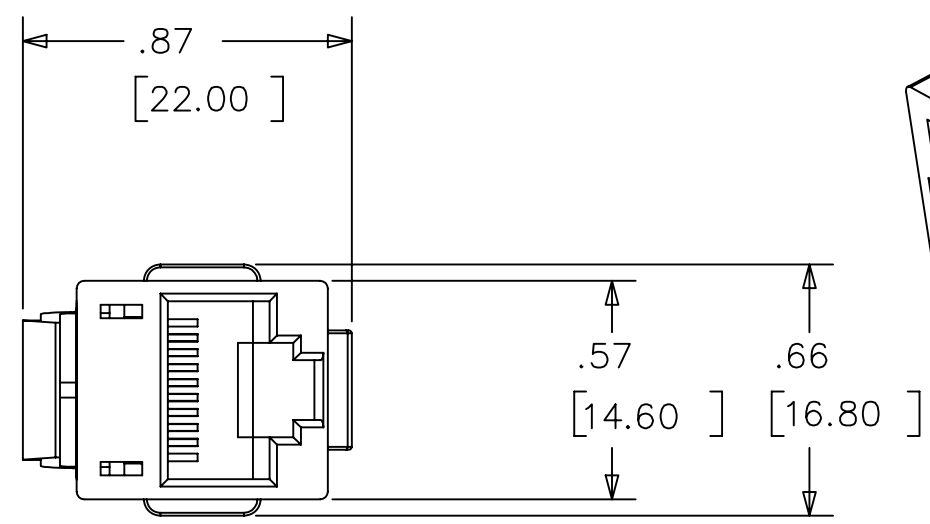
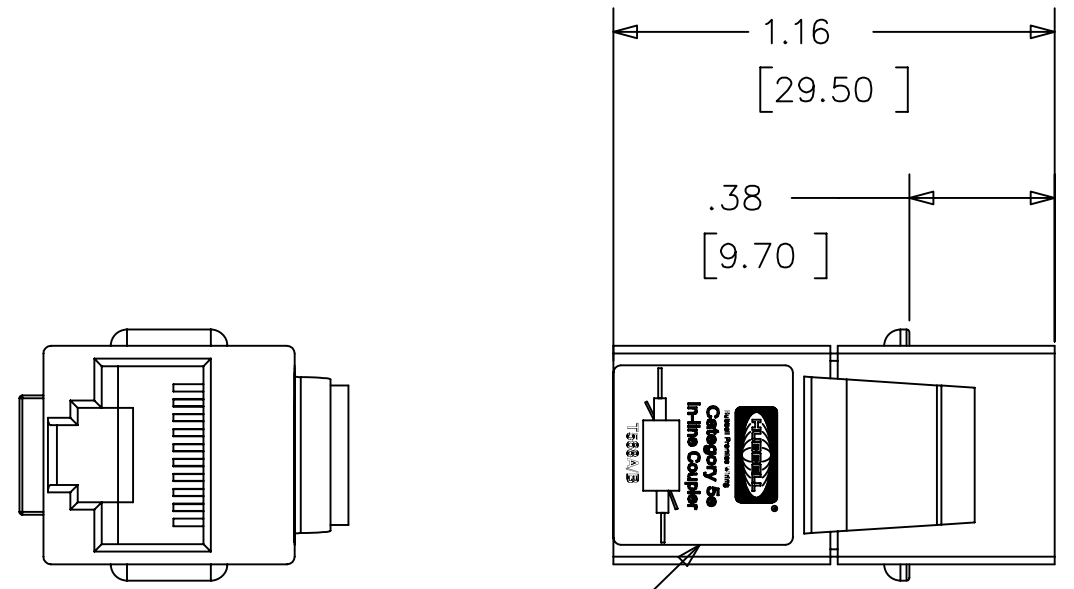


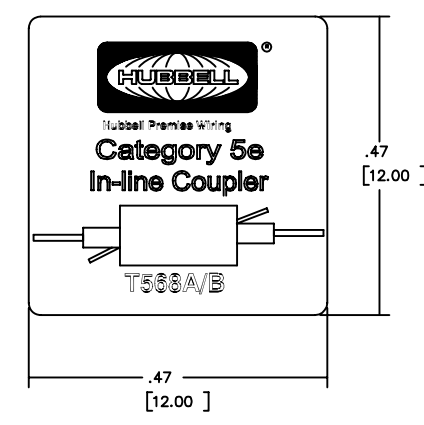
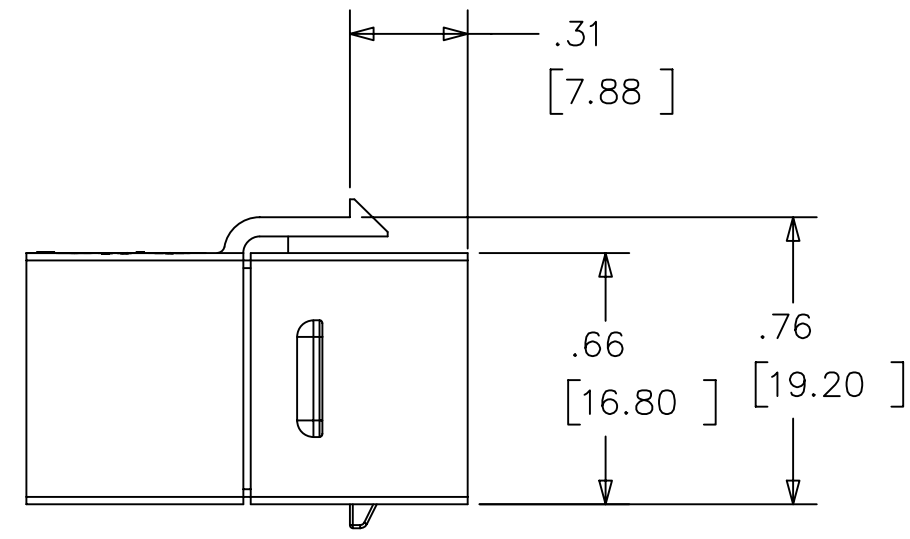
ITEM NO.	DESCRIPTION	QTY.	CATALOG NUMBER	COLOR	DESCRIPTION
1	SNAP FIT INLINE KEYSTONE COUPLER	1	SFC5EW	WHITE	SNAP FIT, CAT 5e INLINE KEYSTONE COUPLER
			SFC5EBK	BLACK	SNAP FIT, CAT 5e INLINE KEYSTONE COUPLER
			SFC5ECOY	GRAY	SNAP FIT, 10/100 X-OVER INLINE KEYSTONE COUPLER



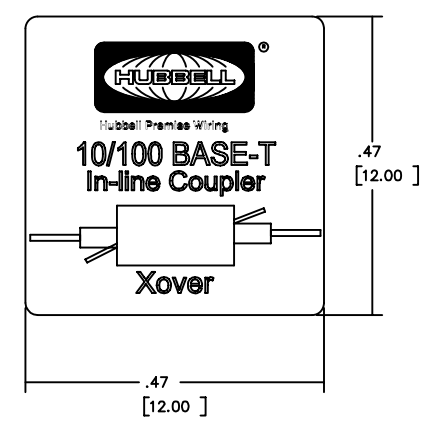
PASS THRU COUPLER

CROSSOVER COUPLER

LABEL STICKER




PASS THRU COUPLER LABEL



CROSSOVER COUPLER LABEL

- NOTES  
UNLESS OTHERWISE SPECIFIED:
1. SOLD IN CARTON INCREMENTS ONLY. CARTON CONTAINS 25 MODULES (INDIVIDUALLY BAGGED).
  2. COLOR REFERS TO THE SNAP FIT BODY.
  3. STANDARD KEYSTONE LATCHING.
  4. SPECIFICATIONS SUBJECT TO CHANGE WITHOUT NOTICE.

Created on AUTOCAD	DIMENSIONING AND TOLERANCE PER ANSI Y14.5M-1982 UNLESS OTHERWISE SPECIFIED, DIMENSIONS ARE IN INCHES (MM). TOLERANCES .XX = ±.01 (.25) .XXX = ±.005 (.127) .XXXX = ±.0025 (.0635) ANGLE TOL ±1°		PROJECT REFERENCE:		 <b>Hubbell Premise Wiring</b> HUBBELL INCORPORATED (Delaware) 14 Lord's Hill Road, Stonington, Connecticut 06378
	IN ACCEPTING OUR DRAWINGS, BLUEPRINTS, OR SUPPORTING DOCUMENTATION FOR QUOTATION OR OTHER PURPOSES, YOU AGREE NOT TO DISCLOSE TO OTHERS THE IDEAS, INFORMATION, OR DESIGNS SHOWN HEREIN, AND THAT YOU WILL MAKE NO USE OF SAME WITHOUT PERMISSION		MATERIAL:		
			DRAWN BY: M. ABBY 12/05/06		TITLE: JACKS/CONNECTORS MULTIMEDIA SNAP FIT (SF) MODULES SNAP FIT, CAT 5e INLINE KEYSTONE COUPLER
			CHECKED BY:		SIZE: <b>C</b>
		APPROVED BY:		DRAWING NO.: <b>HWS12476C</b>	
				SCALE: 1/1	
				SHEET 1 OF 1	
				REV. <b>A</b>	

REV.	ECN	DATE	DESCRIPTION	CHG BY	APPD BY
A	5979	10/29/02	INITIAL RELEASE	MMA	