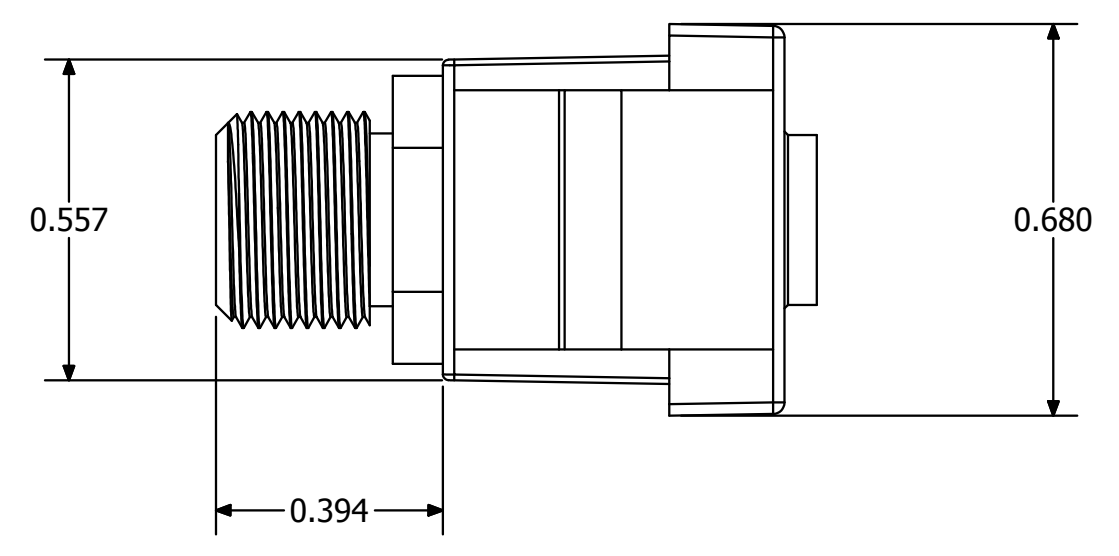
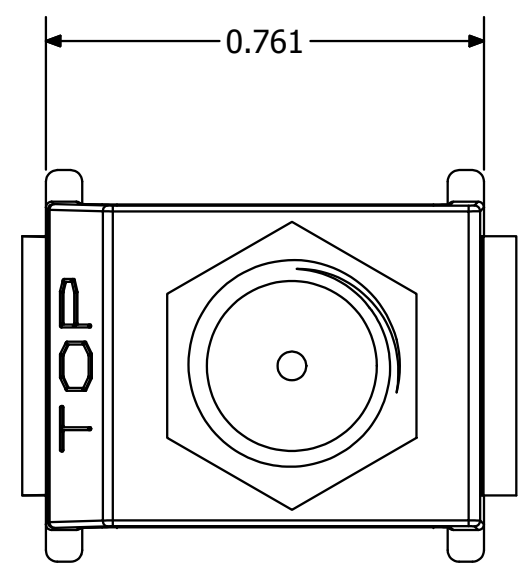
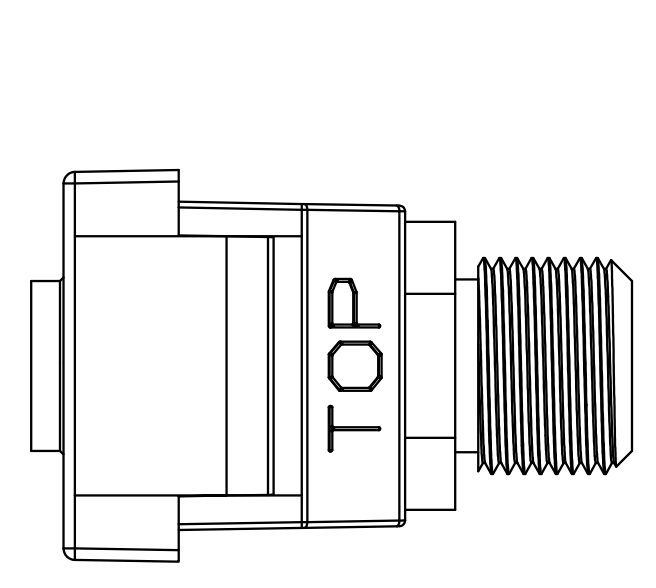
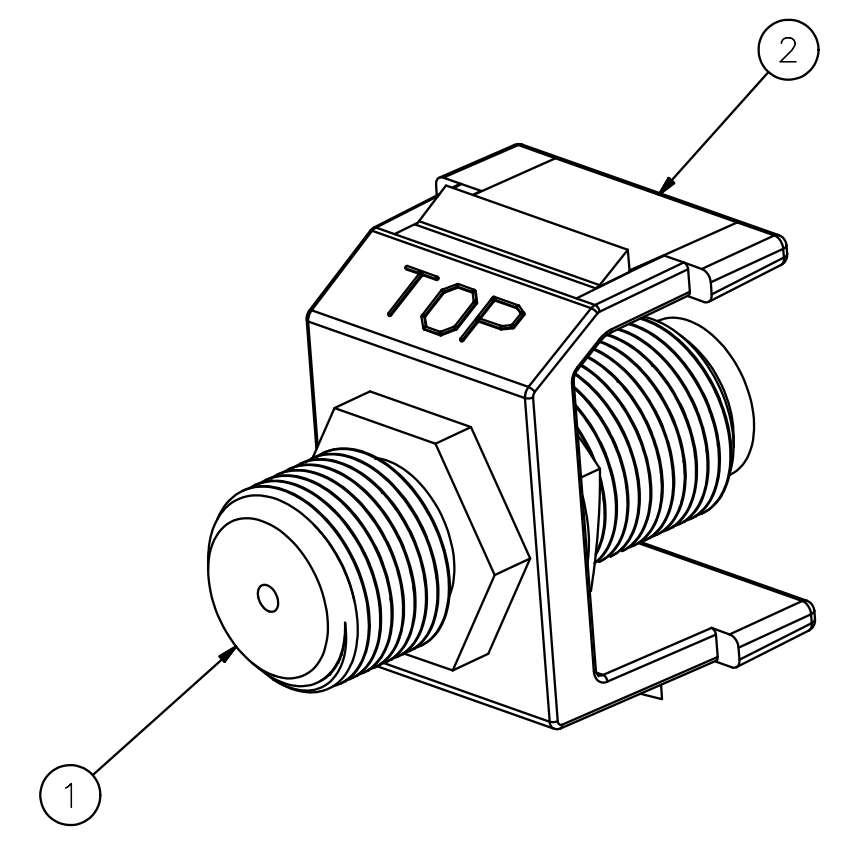
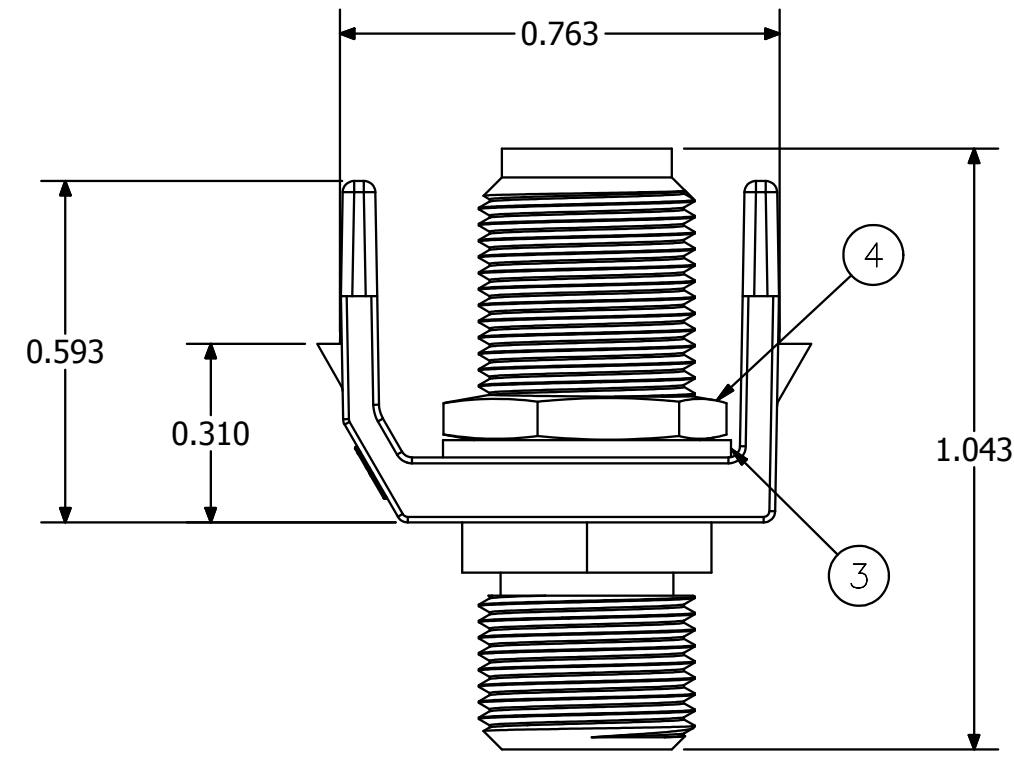


CATALOG N	COLOR	DESCRIPTION
SFF3GAL	ALMOND	F-TYPE COUPLER, BULKHEAD 3GHz , F/F
SFF3BK	BLACK	F-TYPE COUPLER, BULKHEAD 3GHz , F/F
SFF3GEI	ELECTRIC IVORY	F-TYPE COUPLER, BULKHEAD 3GHz , F/F
SFF3GGY	GRAY	F-TYPE COUPLER, BULKHEAD 3GHz , F/F
SFF3GLA	LIGHT ALMOND	F-TYPE COUPLER, BULKHEAD 3GHz , F/F
SFF3GOW	OFFICE WHITE	F-TYPE COUPLER, BULKHEAD 3GHz , F/F
SFF3GW	WHITE	F-TYPE COUPLER, BULKHEAD 3GHz , F/F



NOTES:

- MATERIAL:
"F" TYPE COUPLER: GOLD PLATED BRASS
SNAP FIT ADAPTER: U/L 94-VO RATED THERMOPLASTIC
- COLOR IN TABLE REFERS TO THE SNAP FIT ADAPTER.
- FREQUENCY BANDWIDTH 3 GHz.
- SPECIFICATIONS SUBJECT TO CHANGE WITHOUT NOTICE.

4	HEX NUT	1
3	WASHER	1
2	SNAP FIT ADAPTER	1
1	"F" COUPLER, FEMALE TO FEMALE	1
ITEM	DESCRIPTION	QTY.

Created on INVENTOR	DIMENSIONING AND TOLERANCE PER ANSI Y14.5M-1982 UNLESS OTHERWISE SPECIFIED, DIMENSIONS ARE IN INCHES (MM). TOLERANCES.XX = ±.01 (.25) .XXX = ±.005 (.127) .XXXX = ±.0025 (.0635) ANGLE TOL ±1°	PROJECT REFERENCE: 014-12
	IN ACCEPTING OUR DRAWINGS, BLUEPRINTS, OR SUPPORTING DOCUMENTATION FOR QUOTATION OR OTHER PURPOSES, YOU AGREE NOT TO DISCLOSE TO OTHERS THE IDEAS, INFORMATION, OR DESIGNS SHOWN HEREIN, AND THAT YOU WILL MAKE NO USE OF SAME WITHOUT PERMISSION	MATERIAL: SEE NOTE 1
		DRAWN BY: D.O'CONNOR 1/17/13
		CHECKED BY:
	APPROVED BY:	

		Hubbell Premise Wiring HUBBELL INCORPORATED (Delaware) 23 CLARA DRIVE, SUITE 103 MYSTIC, CT 06355	
TITLE: SNAP FITTING, GOLD "F" CONNECTOR, 3 GHz			
SIZE C	DRAWING NO. HWS14211C		REV. 1
SCALE: NTS		SHEET 1 OF 1	

1	18069	1/17/13	INITIAL RELEASE	DPO	
REV.	ECN	DATE	DESCRIPTION	CHG BY	APPD BY