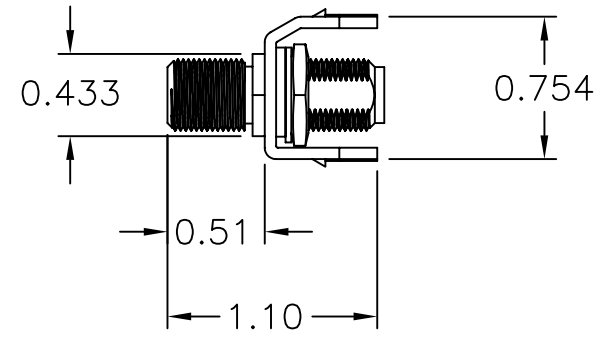
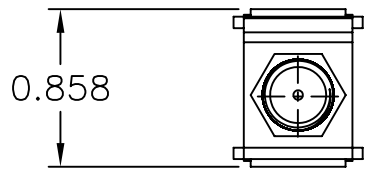
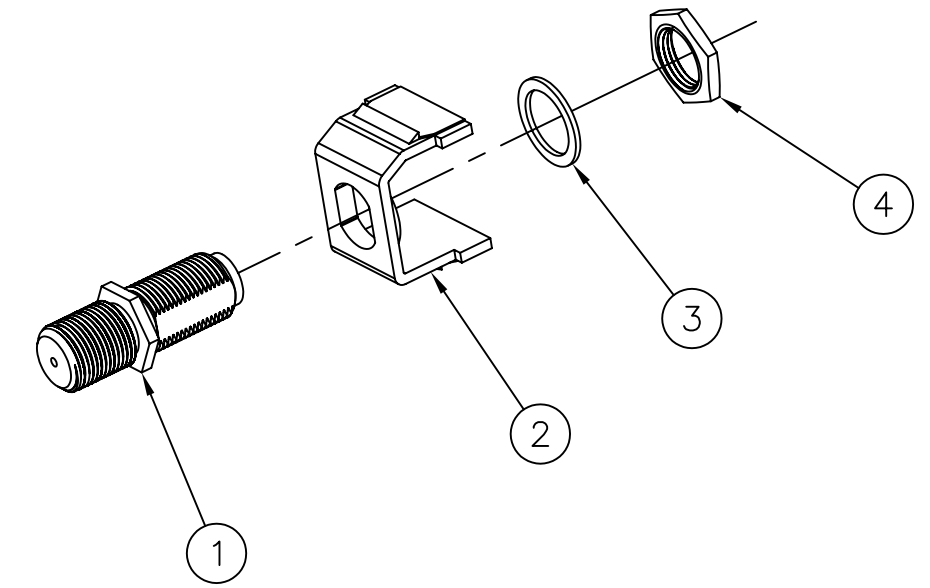
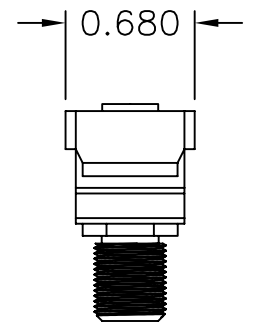


ITEM NO.	DESCRIPTION	QTY.
1	GOLD "F" COUPLER FEMALE TO FEMALE	1
2	SNAP FIT ADAPTER	1
3	WASHER,(INTERNAL STAR OR FLAT)	1
4	NUT	1

CATALOG NUMBER	COLOR	DESCRIPTION
SFFGBK	BLACK	SNAP FIT,GOLD "F" TO "F" CONNECTOR
SFFGEI	ELECTRIC IVORY	SNAP FIT,GOLD "F" TO "F" CONNECTOR
SFFGGY	GRAY	SNAP FIT,GOLD "F" TO "F" CONNECTOR
SFFGOW	OFFICE WHITE	SNAP FIT,GOLD "F" TO "F" CONNECTOR
SFFGW	WHITE	SNAP FIT,GOLD "F" TO "F" CONNECTOR
SFFGTI	TELCO IVORY	SNAP FIT,GOLD "F" TO "F" CONNECTOR
SFFGAL	ALMOND	SNAP FIT,GOLD "F" TO "F" CONNECTOR
SFFGLA	LIGHT ALMOND	SNAP FIT,GOLD "F" TO "F" CONNECTOR



NOTES

UNLESS OTHERWISE SPECIFIED:

- SOLD IN CARTON INCREMENTS ONLY. CARTON CONTAINS 25 MODULES (INDIVIDUALLY BAGGED).
- COLOR REFERS TO THE SNAP FIT ADAPTER NOT THE "F" TYPE COUPLER.
- GOLD F-CONNECTOR FEED THROUGH FEMALE TO FEMALE.
- SPECIFICATIONS SUBJECT TO CHANGE WITHOUT NOTICE.

D	5886	6/7/06	ADDED CATALOG NUMBER FOR LIGHT ALMOND	DPO	
C	5681	9/9/05	ADDED CATALOG NUMBER FOR ALMOND	CD	GK
B	5148	9/18/03	ADDED CATALOG NUMBERS TO TABULATION	CG	GK
REV.	ECN	DATE	DESCRIPTION	CHG BY	APPD BY

Created on AUTOCAD	DIMENSIONING AND TOLERANCE PER ANSI Y14.5M-1982 UNLESS OTHERWISE SPECIFIED, DIMENSIONS ARE IN INCHES (MM). TOLERANCES .XX = ±.01 (.25) .XXX = ±.005 (.127) .XXXX = ±.0025 (.0635) ANGLE TOL ±1°	PROJECT REFERENCE:	
	IN ACCEPTING OUR DRAWINGS, BLUEPRINTS, OR SUPPORTING DOCUMENTATION FOR QUOTATION OR OTHER PURPOSES, YOU AGREE NOT TO DISCLOSE TO OTHERS THE IDEAS, INFORMATION, OR DESIGNS SHOWN HEREIN, AND THAT YOU WILL MAKE NO USE OF SAME WITHOUT PERMISSION	MATERIAL:	
		DRAWN BY: PAUL S. MAGUIRE 10/29/02	
		CHECKED BY: GLENN KIERSTEAD 11/06/02	
	APPROVED BY: GLENN KIERSTEAD 11/06/02		

		Hubbell Premise Wiring HUBBELL INCORPORATED (Delaware) 14 Lord's Hill Road, Stonington, Connecticut 06378	
TITLE:		SNAP FIT (SF) F-TYPE COUPLER, BULKHEAD F/F, GOLD MODULE	
SIZE	DRAWING NO.	REV.	
C	C11829	D	
SCALE:	1/1	SHEET	1 OF 1