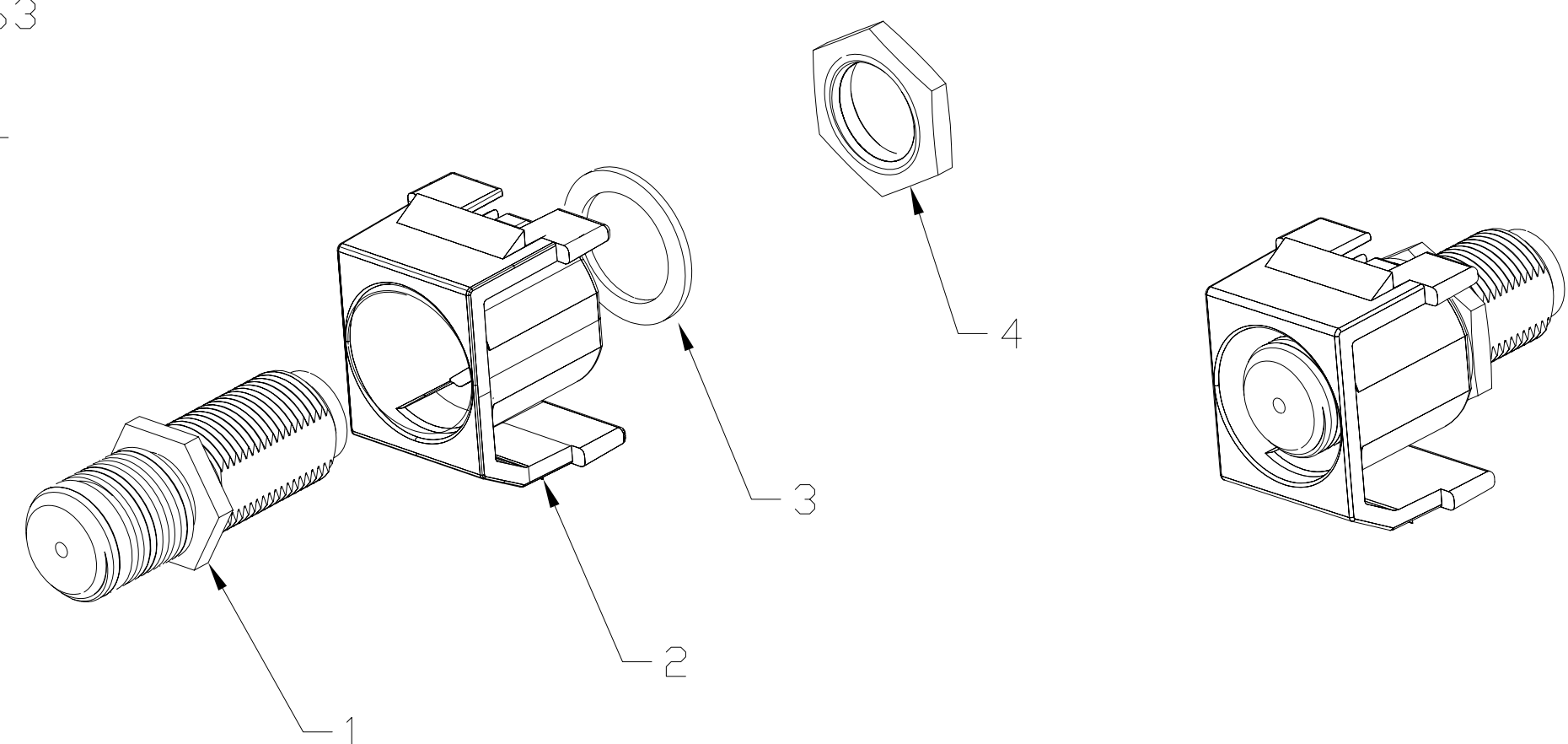
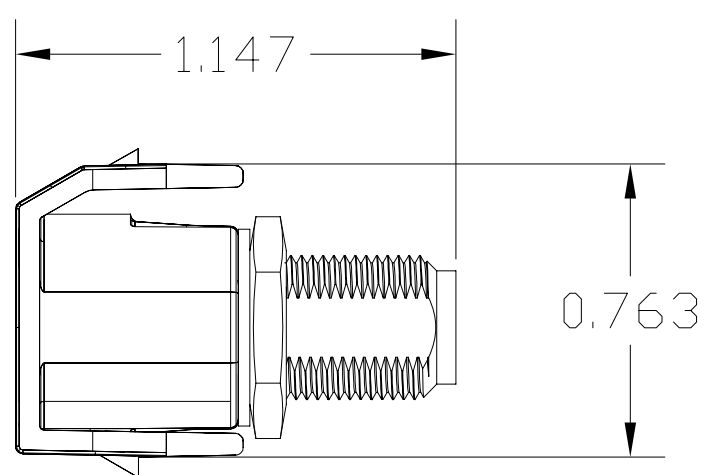
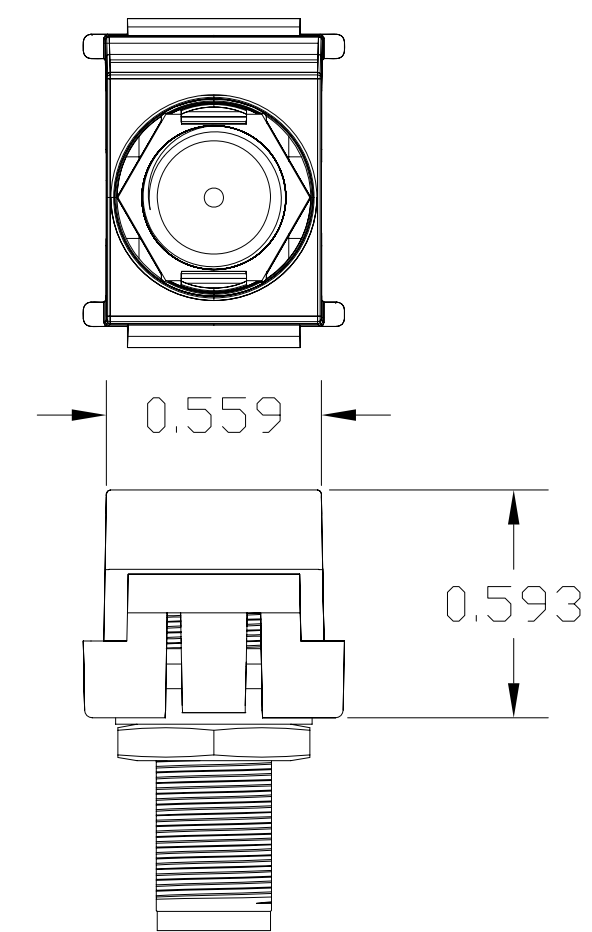
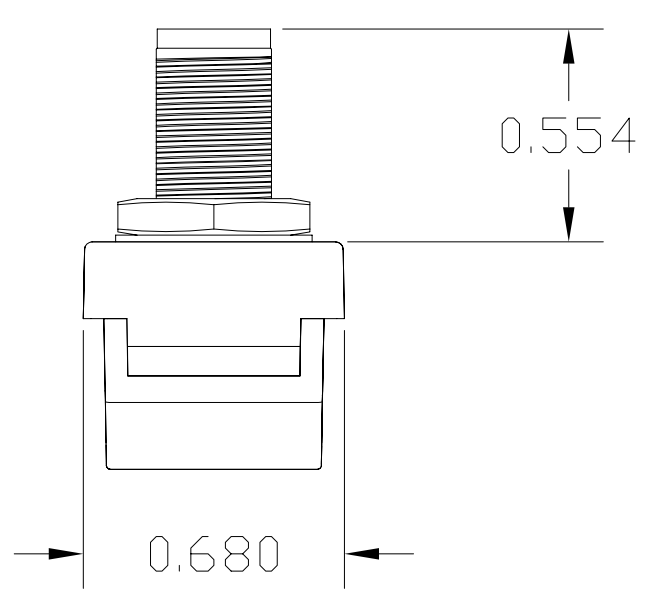
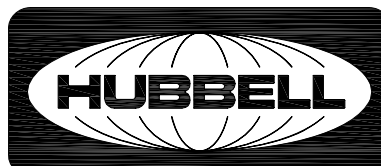


ITEM NO.	DESCRIPTION	QTY.
1	"F" COUPLER FEMALE TO FEMALE	1
2	SNAP FIT ADAPTER	1
3	WASHER	1
4	NUT	1

CATALOG NUMBER	COLOR	DESCRIPTION
SFGRFOW	OFFICE WHITE	F-TYPE COUPLER FLUSH F/F
SFGRFW	WHITE	F-TYPE COUPLER FLUSH F/F
SFGRFGY	GRAY	F-TYPE COUPLER FLUSH F/F
SFGRFBK	BLACK	F-TYPE COUPLER FLUSH F/F
SFGRFEI	ELE. IVORY	F-TYPE COUPLER FLUSH F/F
SFGRFTI	TELCO IVORY	F-TYPE COUPLER FLUSH F/F
SFGRFAL	ALMOND	F-TYPE COUPLER FLUSH F/F
SFGRFLA	LIGHT ALMOND	F-TYPE COUPLER FLUSH F/F



- NOTES
UNLESS OTHERWISE SPECIFIED:
- SOLD IN CARTON INCREMENTS ONLY. CARTON CONTAINS 25 MODULES (INDIVIDUALLY BAGGED).
 - COLOR REFERS TO THE SNAP FIT ADAPTER NOT THE "F" TYPE COUPLER.
 - GOLD F-CONNECTOR FEED THROUGH FEMALE TO FEMALE.
 - SPECIFICATIONS SUBJECT TO CHANGE WITHOUT NOTICE.

Created on AUTOCAD	DIMENSIONING AND TOLERANCE PER ANSI Y14.5M-1982 UNLESS OTHERWISE SPECIFIED, DIMENSIONS ARE IN INCHES (MM). TOLERANCES .XX = ±.01 (.25) .XXX = ±.005 (.127) .XXXX = ±.0025 (.0635) ANGLE TOL ±1°		PROJECT REFERENCE:		 Hubbell Premise Wiring HUBBELL INCORPORATED (Delaware) 14 Lord's Hill Road, Stonington, Connecticut 06378
	IN ACCEPTING OUR DRAWINGS, BLUEPRINTS, OR SUPPORTING DOCUMENTATION FOR QUOTATION OR OTHER PURPOSES, YOU AGREE NOT TO DISCLOSE TO OTHERS THE IDEAS, INFORMATION, OR DESIGNS SHOWN HEREIN, AND THAT YOU WILL MAKE NO USE OF SAME WITHOUT PERMISSION		MATERIAL: N/A		
		DRAWN BY: D.O'CONNOR		TITLE: FLUSH MOUNT "F" SNAP FITTING	
		CHECKED BY:		SIZE C	DRAWING NO. CHWS12445
		APPROVED BY:		SCALE: 2/1	REV. B
				SHEET 1 OF 1	

REV.	ECN	DATE	DESCRIPTION	CHG BY	APPD BY
B	5863	5/04/06	CORRECTED ALMOND CAT. #. ADDED LIGHT ALMOND	NLH	