

6	5	4	3	2	1	
ITEM NO.	DESCRIPTION	QTY.	CATALOG NUMBER	SNAP HOUSING COLOR	ADAPTER COLOR	SPLIT SLEEVE MATERIAL
1	LC ADAPTER	1	SFLCSYYxx	'xx'	'YY'	PHOSPHOR BRONZE
2	MOUNT CLIP (INSTALLED)	1	SFLCSYYxx	'xx'	'YY'	ZIRCONIA
3	SNAP FIT ADAPTER	1				
4	DUST CAP	4				

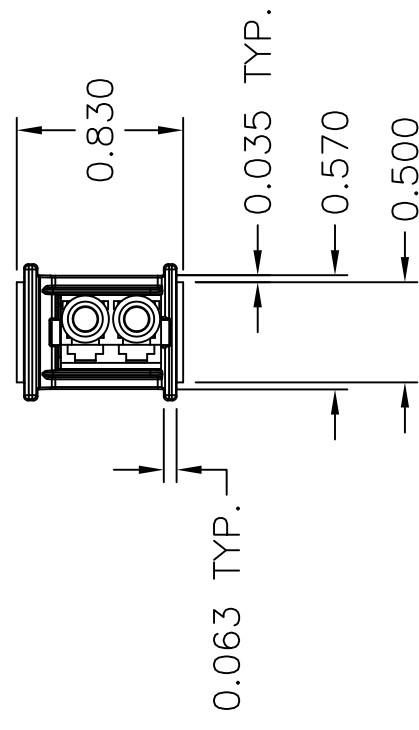
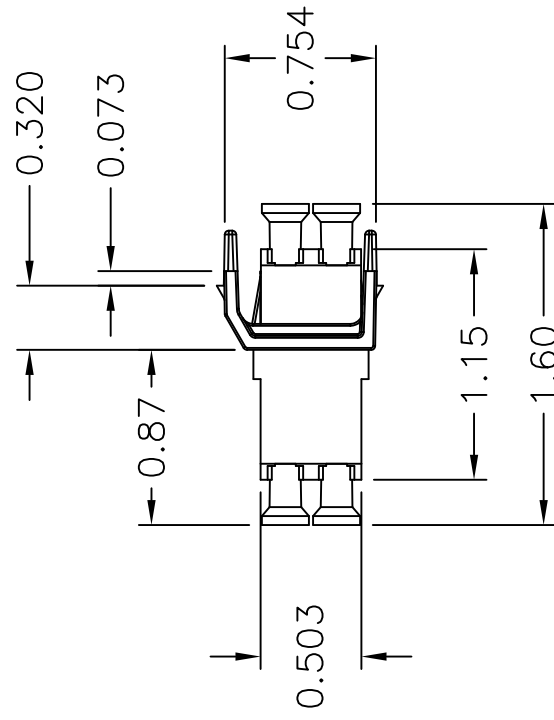
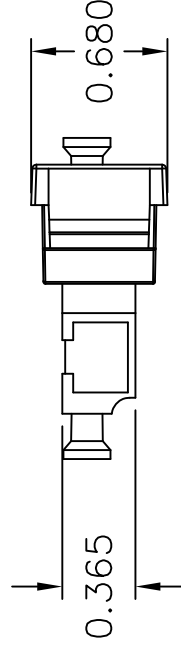
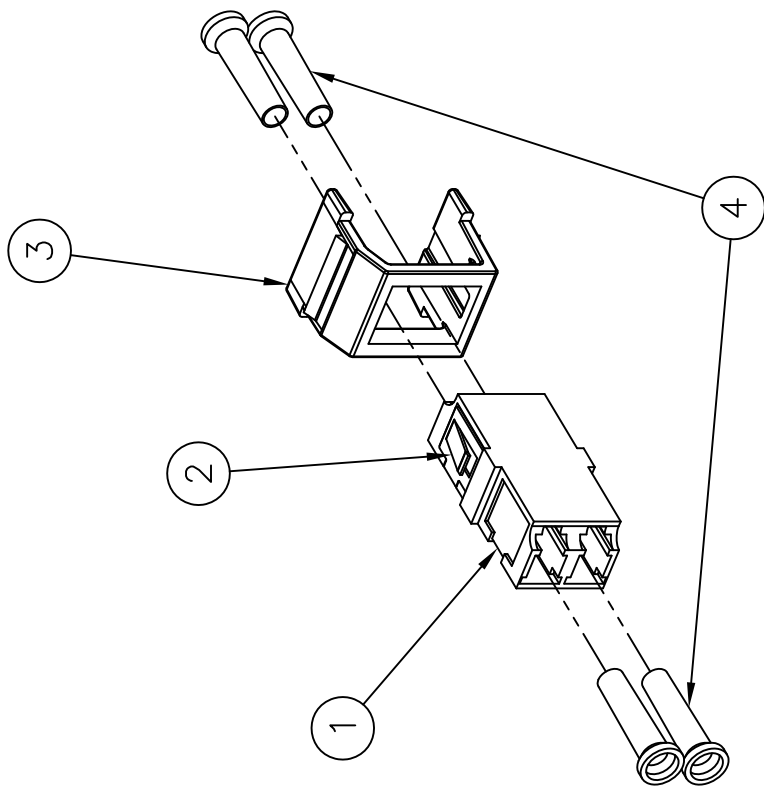
TO ORDER SNAP FIT ADAPTER

REPLACE 'YY' WITH:

- 'AQ' AQUA
- 'BE' BEIGE
- 'BK' BLACK
- 'GN' GREEN
- 'R' RED
- 'Y' YELLOW
- 'B' BLUE

REPLACE 'xx' WITH:

- 'AL' ALMOND
- 'BK' BLACK
- 'G' GRAY
- 'EI' ELECTRIC IVORY
- 'LA' LIGHT ALMOND
- 'OW' OFFICE WHITE
- 'W' WHITE



- NOTES
UNLESS OTHERWISE SPECIFIED:
- SOLD IN CARTON INCREMENTS ONLY. CARTON CONTAINS 25 MODULES (INDIVIDUALLY BAGGED).
 - SPECIFICATIONS SUBJECT TO CHANGE WITHOUT NOTICE.
 - SPLIT SLEEVE MATERIAL - SEE TABLE
ZIRCONIA COMPATIBLE WITH BOTH SINGLEMODE AND MULTIMODE FIBER
PHOSPHOR BRONZE COMPATIBLE WITH MULTIMODE FIBER ONLY.

		Hubbell Premise Wiring HUBBELL INCORPORATED (DeLaware) 14 Lord's Hill Road, Stonington, Connecticut 06378	
PROJECT REFERENCE:		TITLE:	
MATERIAL:		SNAP FIT (SF) MODULES LC DUPLEX KEYSTONE ADAPTER	
DIMENSIONING AND TOLERANCE PER ANSI Y14.5M-1982 UNLESS OTHERWISE SPECIFIED, DIMENSIONS ARE IN INCHES (MM). TOLERANCES .XX = ±0.01 (.25) .XXX = ±0.005 (.127) .XXXX = ±0.0025 (.0635) ANGLE TOL #1°		DRAWN BY: P.S.MAGUIRE 05/30/2001	
IN ACCEPTING OUR DRAWINGS, BLUEPRINTS, OR SUPPORTING DOCUMENTATION FOR QUOTATION OR OTHER PURPOSE, YOU AGREE NOT TO DISCLOSE TO OTHERS THE IDEAS, INFORMATION, OR DESIGNS SHOWN HEREIN, AND THAT YOU WILL MAKE NO USE OF SAME WITHOUT PERMISSION		CHECKED BY: H. MCGREGOR 06/11/01	
Created on AUTOCAD		APPROVED BY: G. KIERSTEAD 06/11/01	
CHG BY MMA		DRAWING NO. 11463C	
APPD BY		SIZE C	
DESCRIPTION UPDATED CATALOG MATRIX FOR BLUE ADAPTERS		SCALE: FULL	
DATE 01/08/2015		SHEET 1 OF 1	
ECN 19525		REV. G	