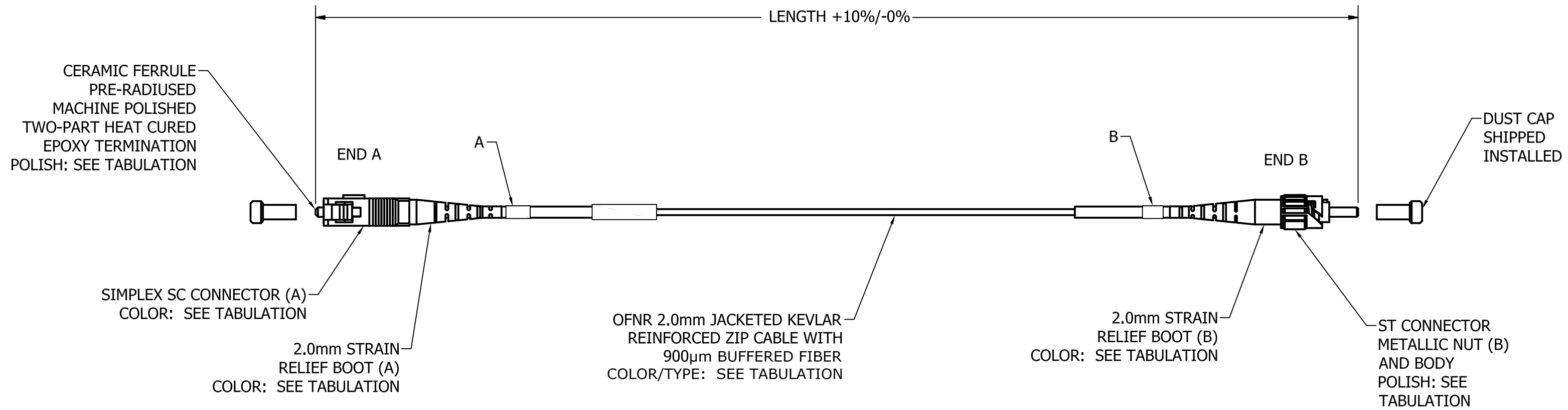


CATALOG NO.	DESCRIPTION	CABLE TYPE	CABLE COLOR	POLISH(A)	CONN. COLOR (A)	BOOT COLOR (A)	POLISH (B)	CONN. COLOR (B)	BOOT COLOR (B)
SFRCSTSCSxxSM	FIBER, P-CORD, SM, RISER, ST-SC, SIMP, xx* METER	9/125 OS2	YELLOW	UPC	BLUE	BLUE	UPC	METALLIC	BLUE


**xx\* MEANS AVAILABLE IN THE FOLLOWING LENGTHS:**

- 1 METER
- 2 METER
- 3 METER
- 4 METER
- 5 METER
- 10 METER



**NOTES:**

1. CONNECTOR OPTICAL, MECHANICAL AND ENVIRONMENTAL PERFORMANCE MEETS TIA/EIA-568-C.3 SPECIFICATIONS.
2. CONNECTOR HOUSING IS INJECTION MOLDED ENGINEERING PLASTIC RESIN.
3. OPTICAL INSERTION LOSS AND RETURN LOSS TEST DATE INCLUDED IN EACH BAGGED PATCH CORD.
4. CABLE MARKINGS TO IDENTIFY EACH END (A OR B).
5. SPECIFICATIONS SUBJECT TO CHANGE WITHOUT PRIOR NOTICE.

Created on AUTOCAD	DIMENSIONING AND TOLERANCE PER ANSI Y14.5M-1982 UNLESS OTHERWISE SPECIFIED, DIMENSIONS ARE IN INCHES (MM). TOLERANCES .XX = ±.01 (.25) .XXX = ±.005 (.127) .XXXX = ±.0025 (.0635) ANGLE TOL ±1°		PROJECT REFERENCE: <b>NPD-00160</b>		 <b>Hubbell Premise Wiring</b> HUBBELL INCORPORATED (Delaware) 23 Clara Dr., Suite 103, Mystic, Connecticut 06355
	IN ACCEPTING OUR DRAWINGS, BLUEPRINTS, OR SUPPORTING DOCUMENTATION FOR QUOTATION OR OTHER PURPOSES, YOU AGREE NOT TO DISCLOSE TO OTHERS THE IDEAS, INFORMATION, OR DESIGNS SHOWN HEREIN, AND THAT YOU WILL MAKE NO USE OF SAME WITHOUT PERMISSION		MATERIAL:		
			DRAWN BY: <b>J.RUOT-JACKSON 9/20/16</b>		TITLE: FIBER OPTIC PATCHCORD, OFNR, SINGLEMODE, ST-SC, SIMPLEX
			CHECKED BY:		SIZE: <b>C</b> DRAWING NO.: <b>HWS14697C</b> REV.: <b>1</b>
		APPROVED BY:		SCALE: 1/1      SHEET 1 OF 1	

1	21494	09/20/16	INITIAL RELEASE	JJRJ	MMA
REV.	ECN	DATE	DESCRIPTION	CHG BY	APPD BY