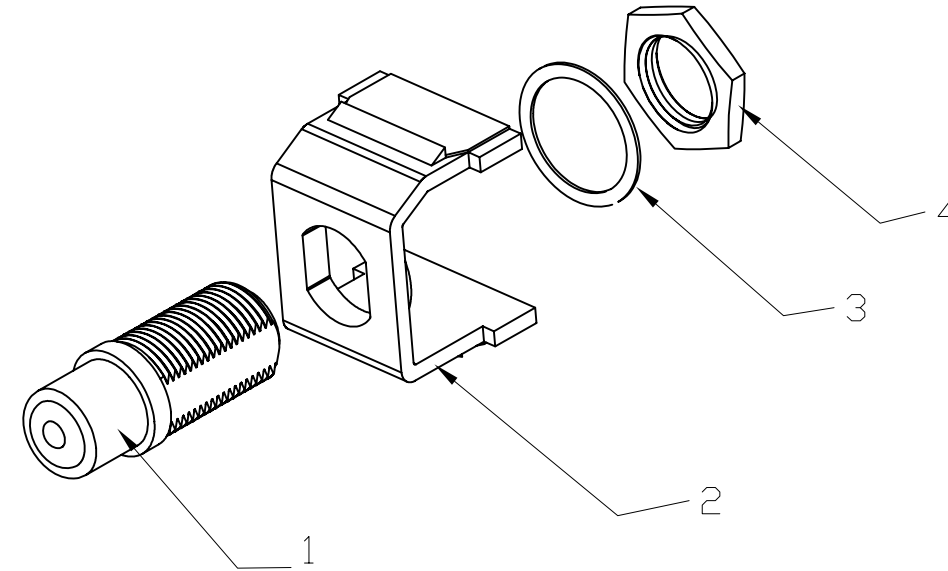
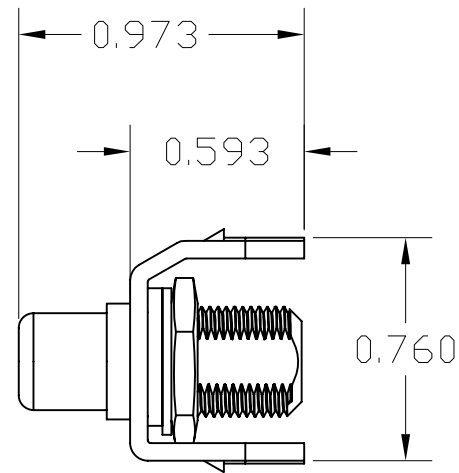
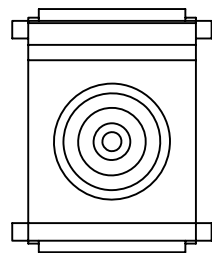
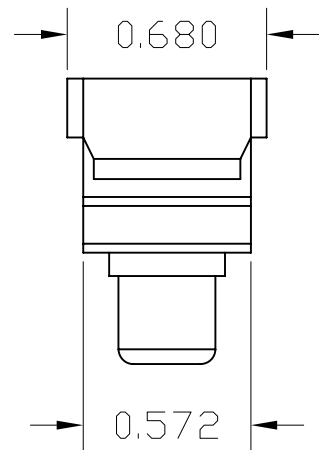


ITEM NO.	DESCRIPTION	QTY.
1	GOLD, RCA TO "F" FEADTHROUGH	1
2	SNAP FIT ADAPTER	1
3	WASHER	1
4	NUT	1


CATALOG NUMBER	MODULE COLOR	DESCRIPTION
SFRFGOW	OFFICE WHITE	RCA TO F, PASS THRU
SFRFGW	WHITE	RCA TO F, PASS THRU
SFRFGGY	GRAY	RCA TO F, PASS THRU
SFRFGBK	BLACK	RCA TO F, PASS THRU
SFRFGEI	ELECTRIC IVORY	RCA TO F, PASS THRU
SFRFGTI	TELCO IVORY	RCA TO F, PASS THRU



NOTES

UNLESS OTHERWISE SPECIFIED:

- SOLD IN CARTON INCREMENTS ONLY. CARTON CONTAINS 25 MODULES (INDIVIDUALLY BAGGED).
- FEED THRU TYPE RCA TO "F" CONNECTOR
- SPECIFICATIONS SUBJECT TO CHANGE WITHOUT NOTICE.

Created on AUTOCAD	DIMENSIONING AND TOLERANCE PER ANSI Y14.5M-1982 UNLESS OTHERWISE SPECIFIED, DIMENSIONS ARE IN INCHES (MM). TOLERANCES .XX = ±.01 (.25) .XXX = ±.005 (.127) .XXXX = ±.0025 (.0635) ANGLE TOL ±1°		PROJECT REFERENCE: MATERIAL: DRAWN BY: D.O'CONNOR 5/31/07		 Hubbell Premise Wiring HUBBELL INCORPORATED (Delaware) 14 Lord's Hill Road, Stonington, Connecticut 06378				
	IN ACCEPTING OUR DRAWINGS, BLUEPRINTS, OR SUPPORTING DOCUMENTATION FOR QUOTATION OR OTHER PURPOSES, YOU AGREE NOT TO DISCLOSE TO OTHERS THE IDEAS, INFORMATION, OR DESIGNS SHOWN HEREIN, AND THAT YOU WILL MAKE NO USE OF SAME WITHOUT PERMISSION		CHECKED BY: APPROVED BY:			TITLE: RCA TO "F", GOLD PASS THROUGH, SNAP FIT ASSEMBLY			
	REV.	ECN	DATE	DESCRIPTION	CHG BY	APPD BY	SIZE C	DRAWING NO. C12001	REV. A
	SCALE: 1/1		SHEET 1 OF 1						

A	6115	5/31/07	INITIAL RELEASE	DPO	
REV.	ECN	DATE	DESCRIPTION	CHG BY	APPD BY