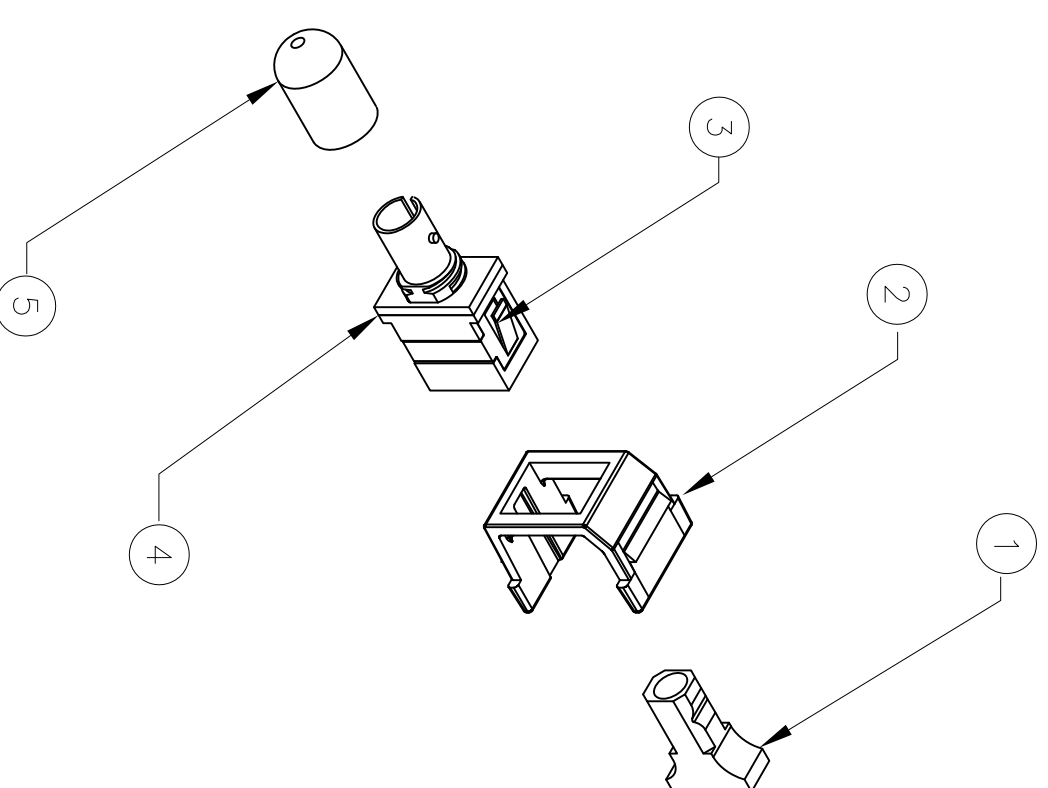
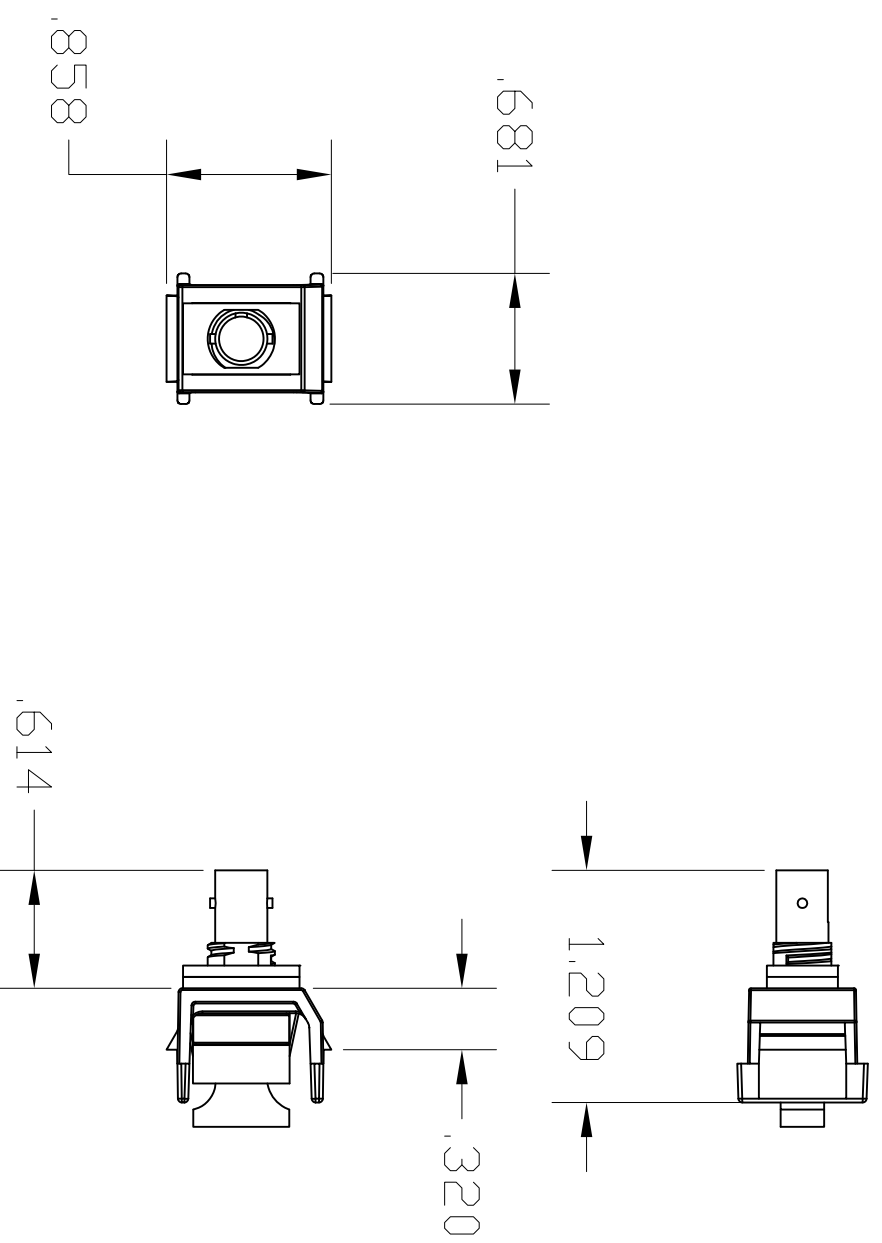


ITEM NO.	DESCRIPTION	QTY.
1	SC ADAPTER DUST CAP	1
2	SNAP FIT ADAPTER	1
3	SC ADAPTER CLIP (INSTALLED)	1
4	SC/ST SIMPLEX ADAPTER	1
5	ST ADAPTER DUST CAP	1

CATALOG NUMBER	SPLIT SLEEVE MATERIAL	KEYSTONE ADAPTER	FIBER ADAP. COLOR
SFSCSTXX	PHOSPHOR BRONZE	SEE NOTE #5	BLUE
SFSCSTXX	ZIRCONIA	SEE NOTE #5	BLUE



NOTES
UNLESS OTHERWISE SPECIFIED:

1. SOLD IN CARTON INCREMENTS ONLY. CARTON CONTAINS 25 MODULES (INDIVIDUALLY BAGGED).
2. COLOR REFERS TO THE SNAP FIT ADAPTER NOT THE SC/ST SIMPLEX FIBER OPTIC ADAPTER.
3. ADAPTERS ARE BLUE WITH A PHOSPHOR – BRONZE ALIGNMENT SLEEVE. ADAPTERS ARE COMPATIBLE WITH MULTIMODE FIBER ONLY.
4. SPECIFICATIONS SUBJECT TO CHANGE WITHOUT NOTICE.
5. 'XX' DENOTES KEYSTONE ADAPTER COLOR. COLOR CHOICES ARE AS FOLLOWS:
OW – OFFICE WHITE, W – WHITE, G – GRAY, BK – BLACK, AL – ALMOND, LA – LIGHT ALMOND, EI – ELECTRICAL IVORY.

REV.	ECN	DATE	DESCRIPTION	CHG BY	APPD BY
C	17038	3/21/11	UPDATED NOTE #3	CG	

Created on AUTOCAD		DIMENSIONING AND TOLERANCE PER ANSI Y14.5M-1982 UNLESS OTHERWISE SPECIFIED, DIMENSIONS ARE IN INCHES (MM). TOLERANCES .XX = ±.01 (.25) .XXX = ±.005 (.127) .XXXX = ±.0025 (.0635) ANGLE TOL ±1°	
PROJECT REFERENCE: 0009-05		DRAWN BY: C.DUSSAULT 6/30/05	
MATERIAL: IN ACCEPTING OUR DRAWINGS, BLUEPRINTS, OR SUPPORTING DOCUMENTATION FOR QUOTATION OR OTHER PURPOSES, YOU AGREE NOT TO DISCLOSE TO OTHERS THE IDEAS, INFORMATION, OR DESIGNS SHOWN HEREIN, AND THAT YOU WILL MAKE NO USE OF SAME WITHOUT PERMISSION		CHECKED BY: APPROVED BY:	
TITLE: SNAP FIT (SF) MODULES SC/ST SIMPLEX KEYSTONE ADAPTERS		HUBBELL Hubbell Premise Wiring HUBBELL INCORPORATED (Delaware) 14 Lord's Hill Road, Stonington, Connecticut 06378	
SIZE C	DRAWING NO. HWS12212C	SCALE: FULL	SHEET 1 OF 1
REV. C			