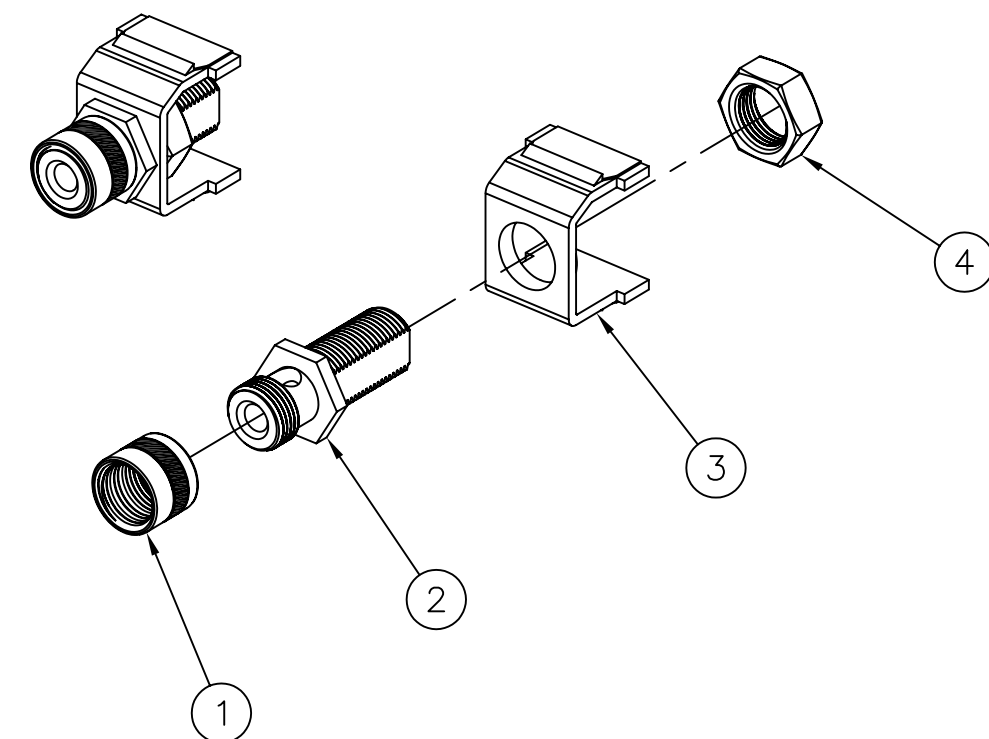
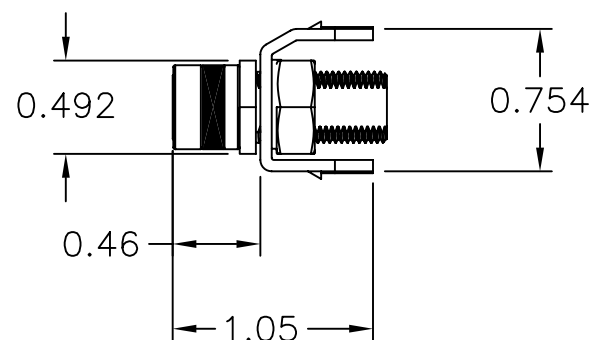
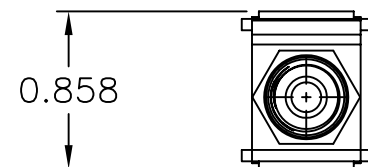
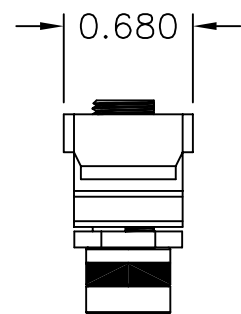



ITEM NO.	DESCRIPTION	QTY.
1	GOLD SPEAKER POST NUT COLOR CODED	1
2	GOLD SPEAKER POST	1
3	SNAP FIT ADAPTER	1
4	GOLD SPEAKER POST NUT	1

CATALOG NUMBER	SNAP HOUSING COLOR	POST RING COLOR	DESCRIPTION
SFSPGR	OFFICE WHITE	RED	SNAP FIT, GOLD SPEAKER POST
SFSPGBK	OFFICE WHITE	BLACK	SNAP FIT, GOLD SPEAKER POST
SFSPGRW	WHITE	RED	SNAP FIT, GOLD SPEAKER POST
SFSPGBKW	WHITE	BLACK	SNAP FIT, GOLD SPEAKER POST
SFSPGRGY	GRAY	RED	SNAP FIT, GOLD SPEAKER POST
SFSPGBKGY	GRAY	BLACK	SNAP FIT, GOLD SPEAKER POST
SFSPGRBK	BLACK	RED	SNAP FIT, GOLD SPEAKER POST
SFSPGBKBK	BLACK	BLACK	SNAP FIT, GOLD SPEAKER POST
SFSPGRTI	TELCO IVORY	RED	SNAP FIT, GOLD SPEAKER POST
SFSPGBKTI	TELCO IVORY	BLACK	SNAP FIT, GOLD SPEAKER POST
SFSPGREI	ELECTRIC IVORY	RED	SNAP FIT, GOLD SPEAKER POST
SFSPGBKEI	ELECTRIC IVORY	BLACK	SNAP FIT, GOLD SPEAKER POST
SFSPGRAL	ALMOND	RED	SNAP FIT, GOLD SPEAKER POST
SFSPGBKAL	ALMOND	BLACK	SNAP FIT, GOLD SPEAKER POST
SFSPGBKLA	LIGHT ALMOND	BLACK	SNAP FIT, GOLD SPEAKER POST
SFSPGRLA	LIGHT ALMOND	RED	SNAP FIT, GOLD SPEAKER POST



NOTES (UNLESS OTHERWISE SPECIFIED):

- SOLD IN CARTON INCREMENTS ONLY. CARTON CONTAINS 25 MODULES (INDIVIDUALLY BAGGED).
- GOLD SPEAKER POST COME WITH BLACK & RED BANDS.
- SPECIFICATIONS SUBJECT TO CHANGE WITHOUT NOTICE.

Created on AUTOCAD	DIMENSIONING AND TOLERANCE PER ANSI Y14.5M-1982 UNLESS OTHERWISE SPECIFIED, DIMENSIONS ARE IN INCHES (MM). TOLERANCES .XX = ±.01 (.25) .XXX = ±.005 (.127) .XXXX = ±.0025 (.0635) ANGLE TOL ±1°		PROJECT REFERENCE:		 Hubbell Premise Wiring HUBBELL INCORPORATED (Delaware) 14 Lord's Hill Road, Stonington, Connecticut 06378
	IN ACCEPTING OUR DRAWINGS, BLUEPRINTS, OR SUPPORTING DOCUMENTATION FOR QUOTATION OR OTHER PURPOSES, YOU AGREE NOT TO DISCLOSE TO OTHERS THE IDEAS, INFORMATION, OR DESIGNS SHOWN HEREIN, AND THAT YOU WILL MAKE NO USE OF SAME WITHOUT PERMISSION		MATERIAL:		
			DRAWN BY: PAUL S. MAGUIRE 10/29/02		TITLE: JACKS/CONNECTORS MULTIMEDIA SNAP FIT CONNECTORS ASSEMBLY, SPEAKER POST MODULE
			CHECKED BY: GLENN KIERSTEAD 11/06/02		SIZE: C DRAWING NO.: C11835
		APPROVED BY: GLENN KIERSTEAD 11/06/02		SCALE: 1/1 SHEET 1 OF 1	

REV.	ECN	DATE	DESCRIPTION	CHG BY	APPD BY
C	5886	6/7/06	ADDED CATALOG NUMBERS TO TABULATINO	DPO	