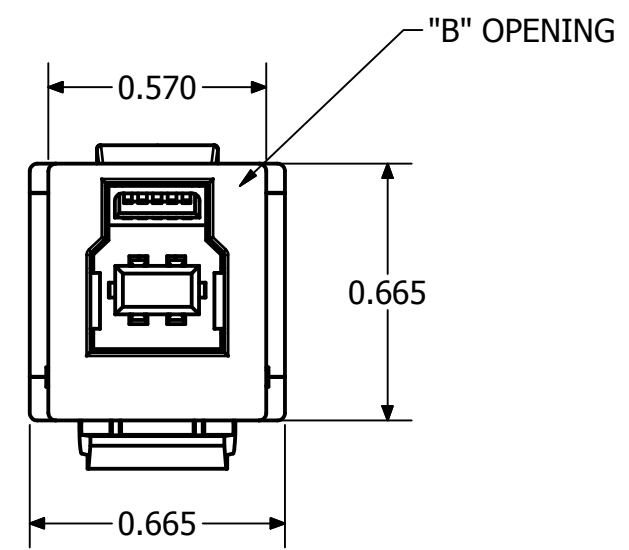
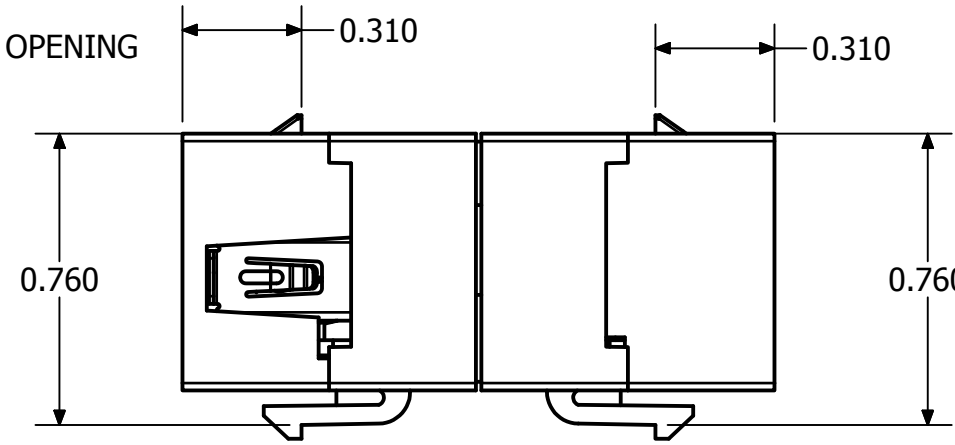
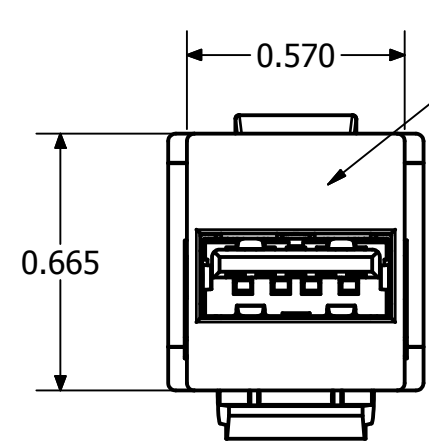
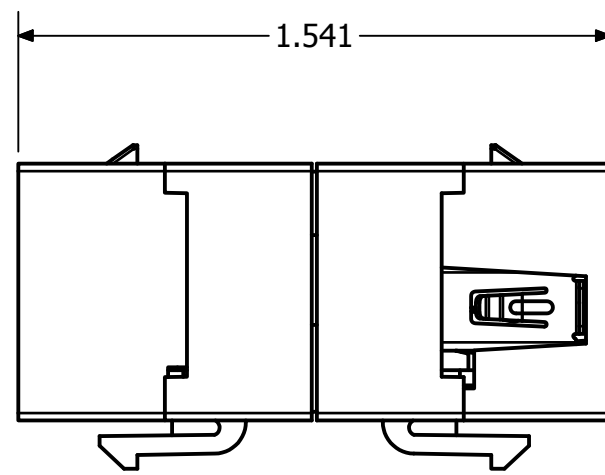
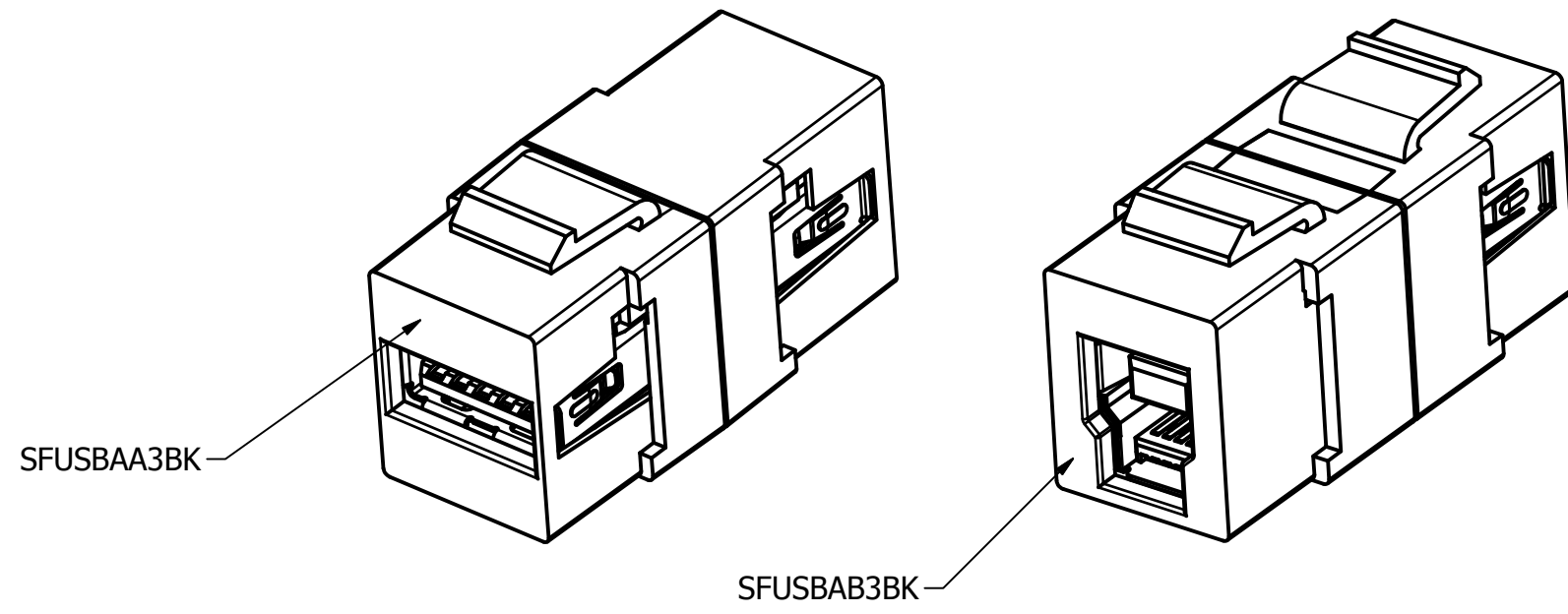
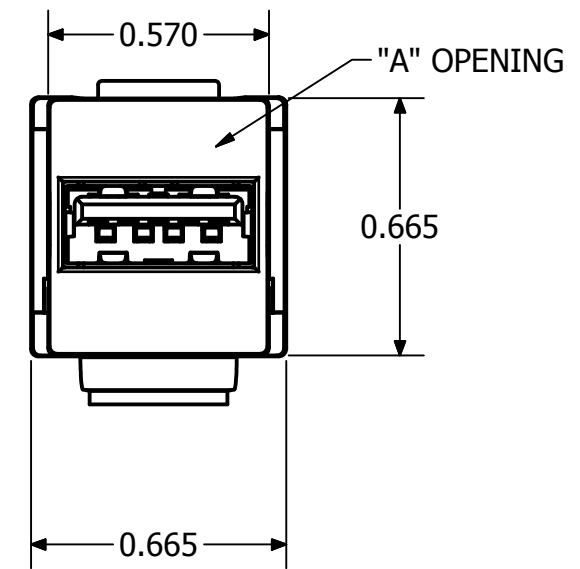
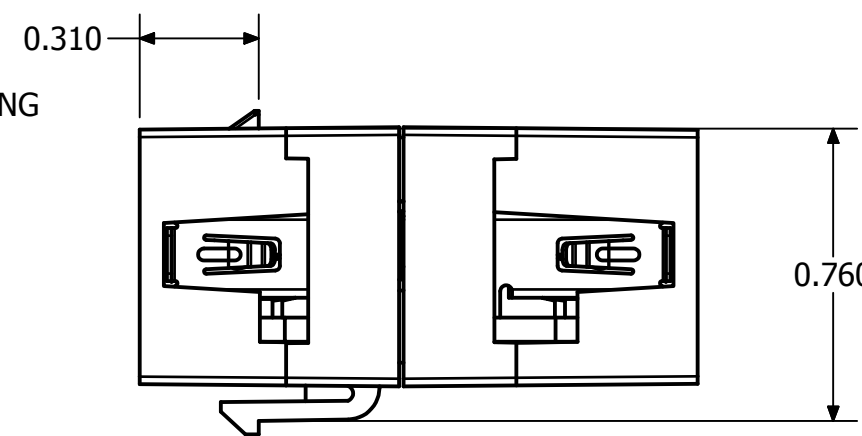
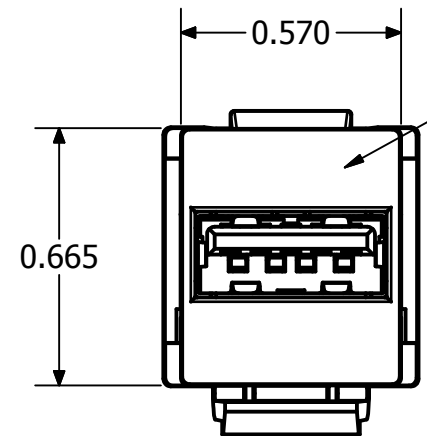
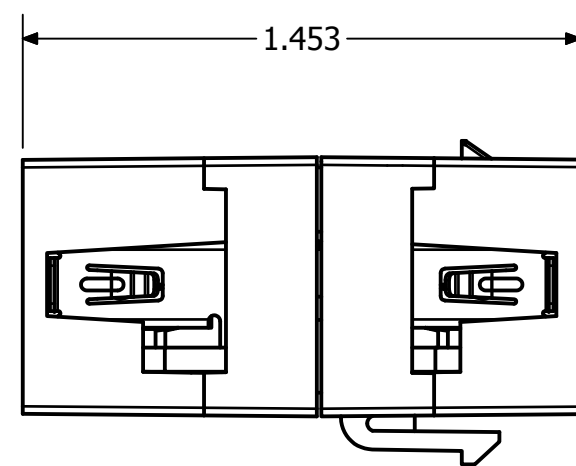


CATALOG NU	COLOR	DESCRIPTION
SFUSBAA3BK	BLACK	USB "A" TO "A" COUPLER
SFUSBAB3BK	BLACK	USB "A" TO "B" COUPLER



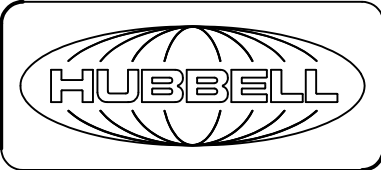
SFUSBAB3BK



SFUSBAA3BK

NOTES:

1. COMPLIES WITH USB 3.0 TRANSMISSION REQUIREMENTS.
2. HOUSING IS MADE OF U/L-94 V-0 RATED THERMOPLASTIC.
3. SPECIFICATIONS SUBJECT TO CHANGE WITHOUT NOTICE.

Created on INVENTOR	DIMENSIONING AND TOLERANCE PER ANSI Y14.5M-1982 UNLESS OTHERWISE SPECIFIED, DIMENSIONS ARE IN INCHES (MM). TOLERANCES: XX = ±.01 (.25) .XXX = ±.005 (.127) .XXXX = ±.0025 (.0635) ANGLE TOL ±1°		PROJECT REFERENCE: 2012-035		 Hubbell Premise Wiring HUBBELL INCORPORATED (Delaware) 23 CLARA DRIVE, SUITE 103 MYSTIC, CT 06355
	IN ACCEPTING OUR DRAWINGS, BLUEPRINTS, OR SUPPORTING DOCUMENTATION FOR QUOTATION OR OTHER PURPOSES, YOU AGREE NOT TO DISCLOSE TO OTHERS THE IDEAS, INFORMATION, OR DESIGNS SHOWN HEREIN, AND THAT YOU WILL MAKE NO USE OF SAME WITHOUT PERMISSION		MATERIAL: SEE NOTE 2		
			DRAWN BY: D.OCONNOR 12/6/12		TITLE: USB 3.0 COUPLER ASSEMBLY
			CHECKED BY:		SIZE: C
		APPROVED BY:		DRAWING NO.: HWS14194C	
				REV.: 1	
				SCALE: 2 TO 1	
				SHEET 1 OF 1	

REV.	ECN	DATE	DESCRIPTION	CHG BY	APPD BY
1	18044	12/6/12	INITIAL RELEASE	DPO	