

6

5

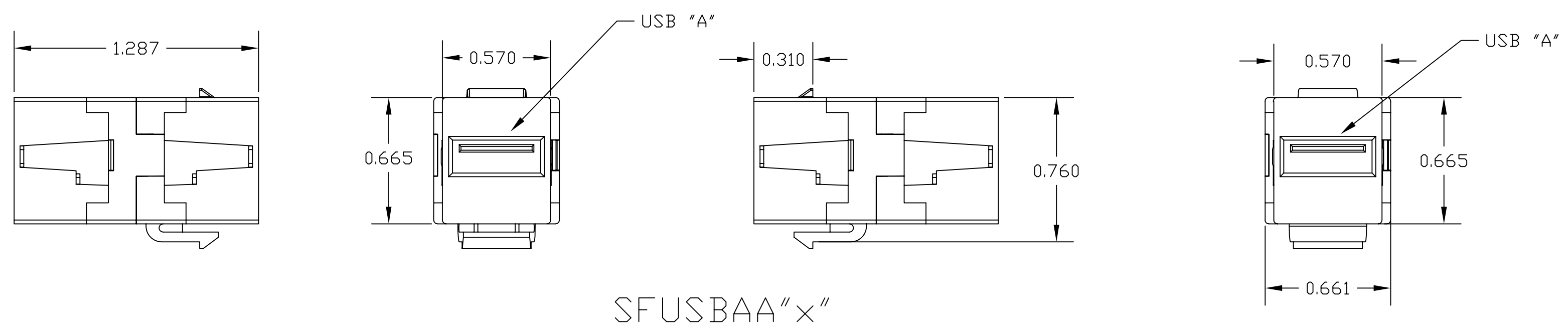
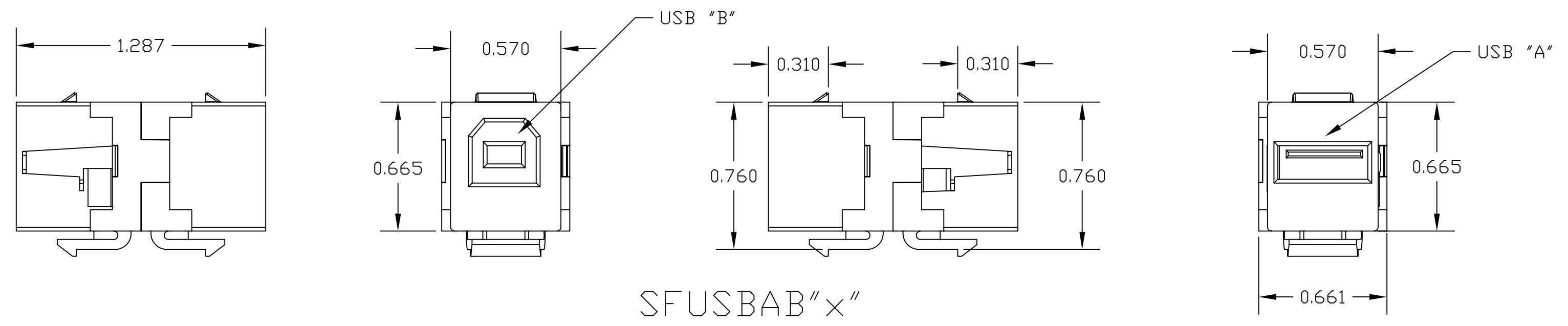
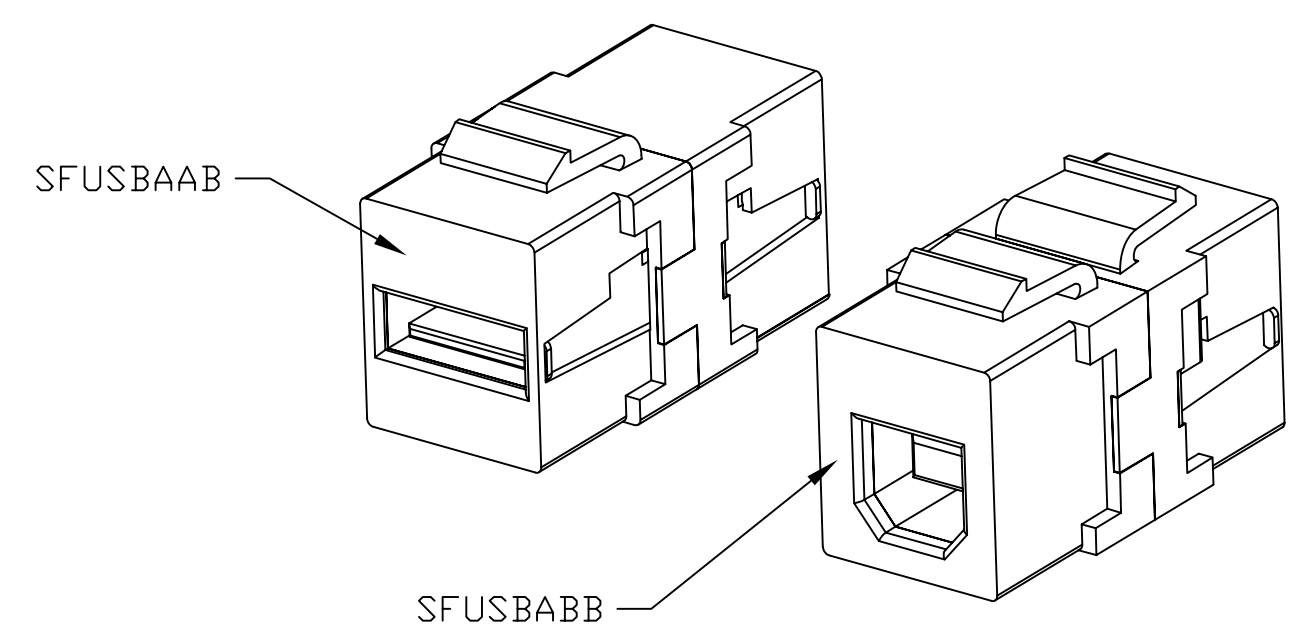
4

3

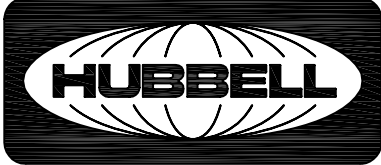
2

1

CATALOG NUMBER	COLOR	DESCRIPTION
SFUSBABB	BLUE	USB "A" TO USB "B" COUPLER
SFUSBAAB	BLUE	USB "A" TO USB "A" COUPLER
SFUSBABOW	OFFICE WHITE	USB "A" TO USB "B" COUPLER
SFUSBAOW	OFFICE WHITE	USB "A" TO USB "A" COUPLER
SFUSBABW	WHITE	USB "A" TO USB "B" COUPLER
SFUSBAW	WHITE	USB "A" TO USB "A" COUPLER



- NOTES:
1. COMPLIES WITH USB 2.0 TRANSMISSION REQUIREMENTS.
  2. HOUSING IS MADE OF UL-94 V0 RATED THERMOPLASTIC.
  3. SPECIFICATIONS SUBJECT TO CHANGE WITHOUT PRIOR NOTICE.

Created on AUTOCAD	DIMENSIONING AND TOLERANCE PER ANSI Y14.5M-1982 UNLESS OTHERWISE SPECIFIED, DIMENSIONS ARE IN INCHES (MM). TOLERANCES .XX = ±.01 (.25) .XXX = ±.005 (.127) .XXXX = ±.0025 (.0635) ANGLE TOL ±1°		PROJECT REFERENCE: <b>2005-020</b>		 <b>Hubbell Premise Wiring</b> HUBBELL INCORPORATED (Delaware) 14 Lord's Hill Road, Stonington, Connecticut 06378		
	IN ACCEPTING OUR DRAWINGS, BLUEPRINTS, OR SUPPORTING DOCUMENTATION FOR QUOTATION OR OTHER PURPOSES, YOU AGREE NOT TO DISCLOSE TO OTHERS THE IDEAS, INFORMATION, OR DESIGNS SHOWN HEREIN, AND THAT YOU WILL MAKE NO USE OF SAME WITHOUT PERMISSION		MATERIAL: N/A			TITLE: USB 2.0 COUPLER USB "A" TO USB "A" USB "A" TO USB "B"	
			DRAWN BY: D.O'CONNOR 10/19/06		SIZE: <b>C</b>	DRAWING NO.: <b>HWS12464C</b>	REV.: <b>B</b>
			CHECKED BY:		SCALE: <b>2 TO 1</b>		SHEET <b>1 OF 1</b>
		APPROVED BY:					

B	6046	1/18/07	ADDED PART NUMBERS TO TABLE	DPO	
REV.	ECN	DATE	DESCRIPTION	CHG BY	APPD BY