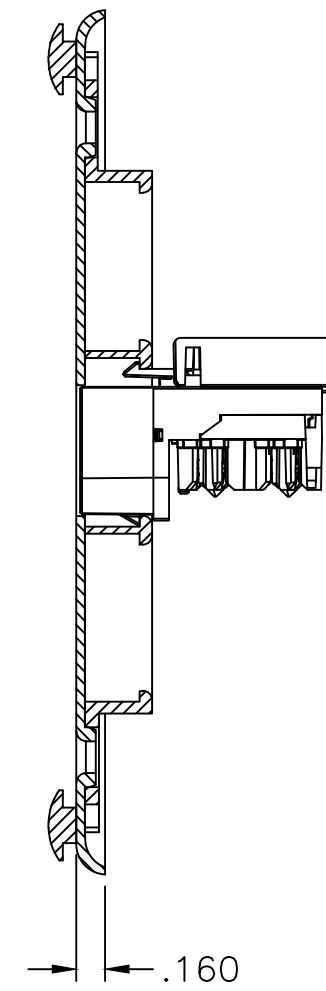
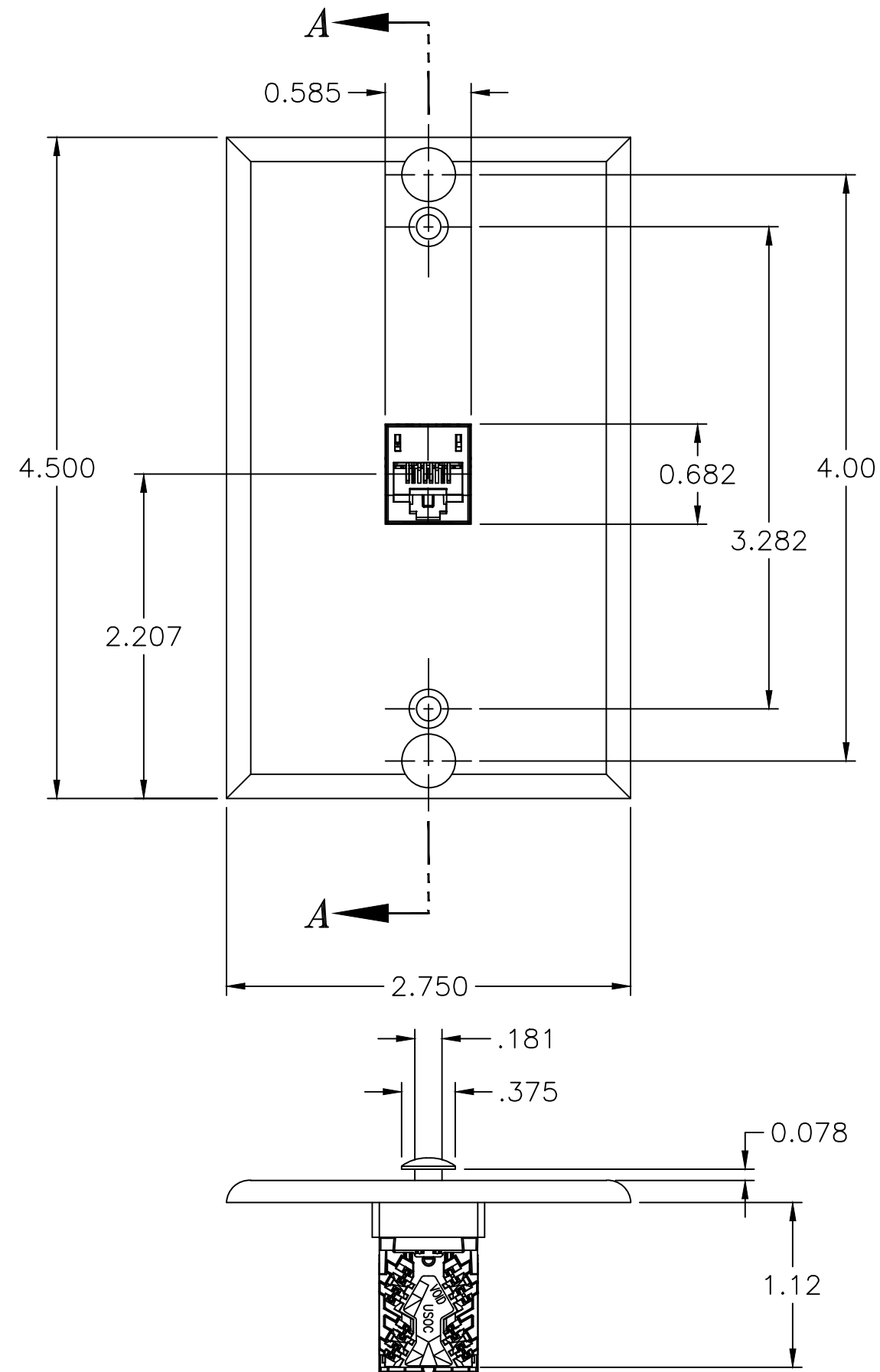
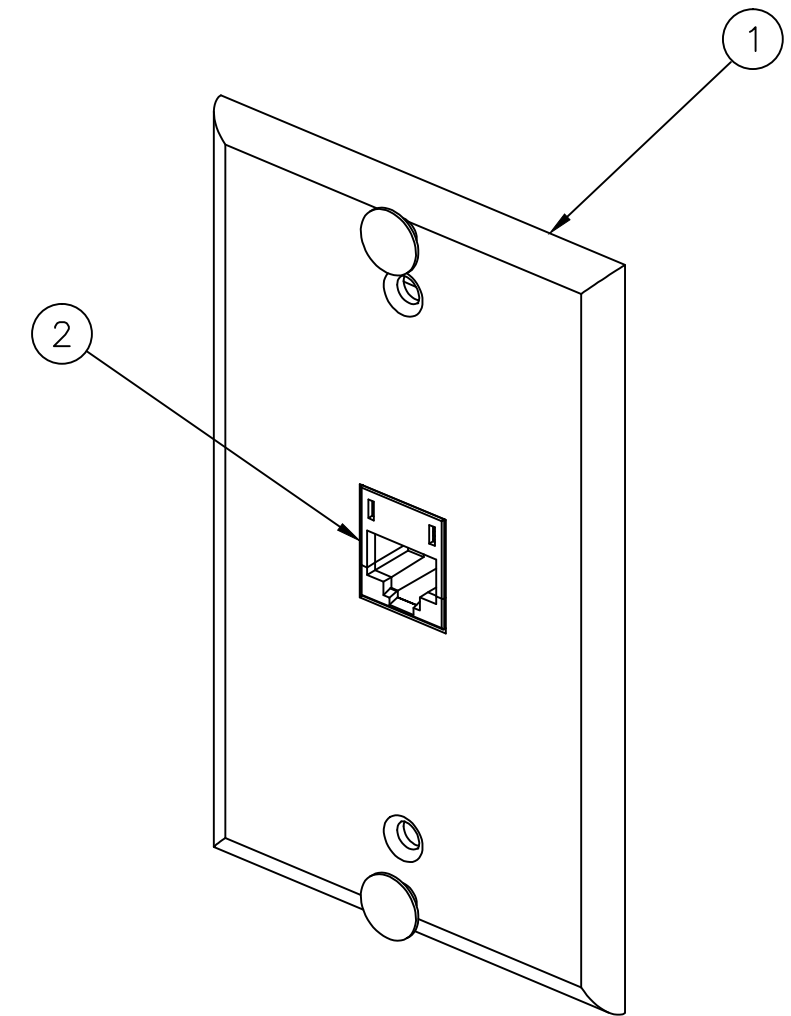


1	SS, 1-GANG 1-PORT FLUSH MOUNT PLATE	1
2	HXJ SERIES JACK (SEE TABULATION)	1

SPUF	6-POS USOC/GRAY	ASSY,STAIN.STL. 1-GANG 1-PORT FLUSH MOUNT PLATE W/JACK
SP5EF	8-POS CAT 5e/GRAY	ASSY,STAIN.STL. 1-GANG 1-PORT FLUSH MOUNT PLATE W/JACK
SP6F	8-POS CAT C6/GRAY	ASSY,STAIN.STL. 1-GANG 1-PORT FLUSH MOUNT PLATE W/JACK
SP10GF	8-POS 10G/GRAY	ASSY,STAIN.STL. 1-GANG 1-PORT FLUSH MOUNT PLATE W/JACK




SECTION "A-A"



NOTES:
UNLESS OTHERWISE SPECIFIED:

1. TO BE USED WITH GRAY XCELERATOR PHONE JACKS ONLY.
2. JACKS ARE PRE-ASSEMBLED IN FACE PLATES.
3. SPECIFICATIONS SUBJECT TO CHANGE WITHOUT NOTICE.

Created on AUTOCAD	DIMENSIONING AND TOLERANCE PER ANSI Y14.5M-1982 UNLESS OTHERWISE SPECIFIED, DIMENSIONS ARE IN INCHES (MM). TOLERANCES .XX = ±.01 (.25) .XXX = ±.005 (.127) .XXXX = ±.0025 (.0635) ANGLE TOL ±1°		PROJECT REFERENCE: 069-14		 Hubbell Premise Wiring HUBBELL INCORPORATED (Delaware) 14 Lord's Hill Road, Stonington, Connecticut 06378
	IN ACCEPTING OUR DRAWINGS, BLUEPRINTS, OR SUPPORTING DOCUMENTATION FOR QUOTATION OR OTHER PURPOSES, YOU AGREE NOT TO DISCLOSE TO OTHERS THE IDEAS, INFORMATION, OR DESIGNS SHOWN HEREIN, AND THAT YOU WILL MAKE NO USE OF SAME WITHOUT PERMISSION		MATERIAL:		
			DRAWN BY: D.O'CONNOR 11/6/14		TITLE: PLATES/HOUSINGS/FRAMES WORK AREA ASSY, FLUSH WALL PHONE PLATES W/JACKS
			CHECKED BY:		SIZE: C DRAWING NO. HWS14469C REV. 1
		APPROVED BY:		SCALE: 1/1 SHEET 1 OF 1	

1	19536	11/6/14	INITIAL RELEASE	DPO	
REV.	ECN	DATE	DESCRIPTION	CHG BY	APPD BY