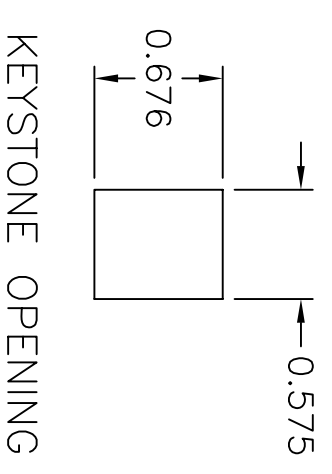
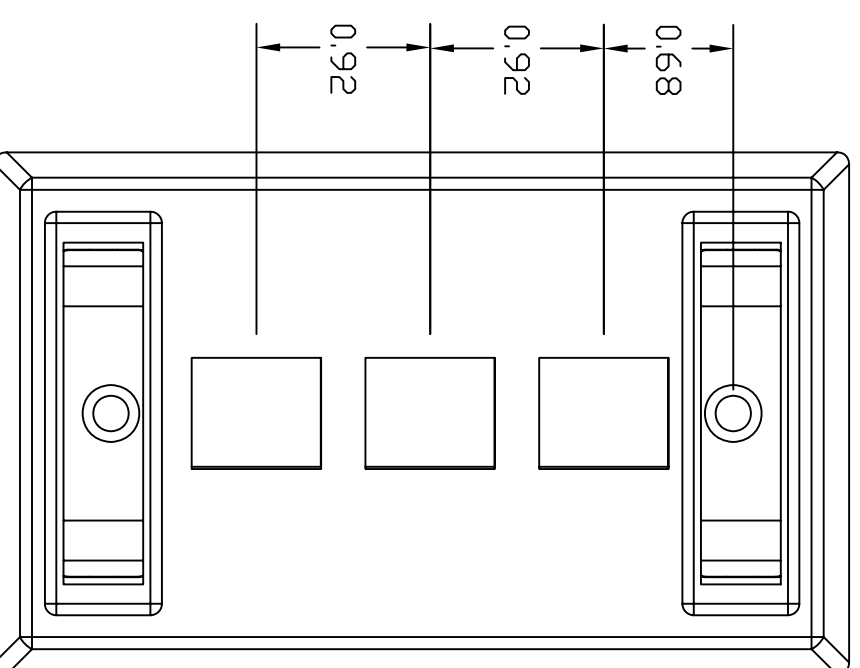
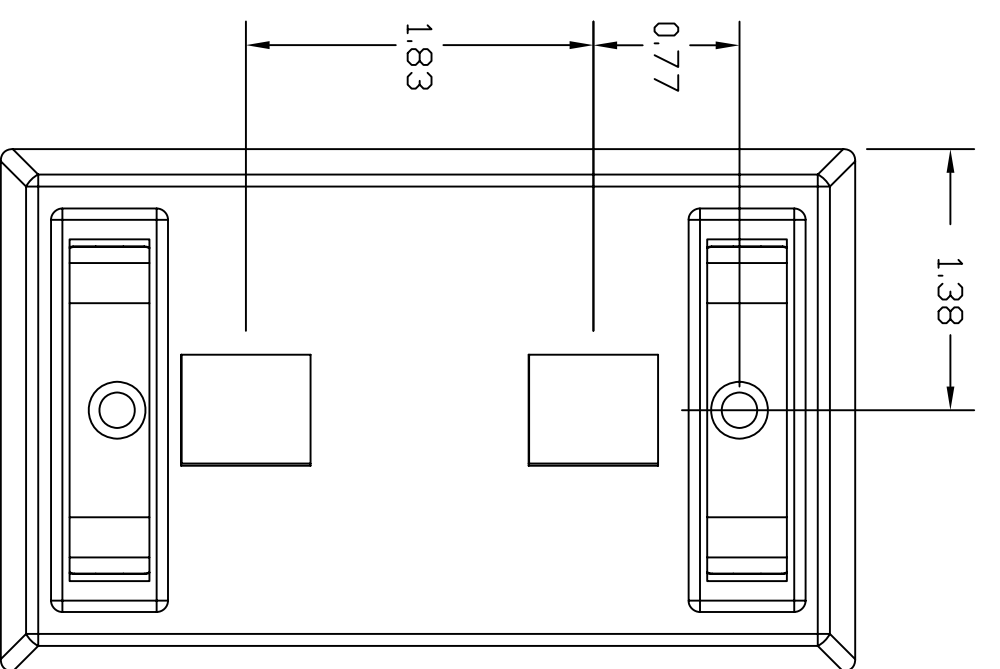
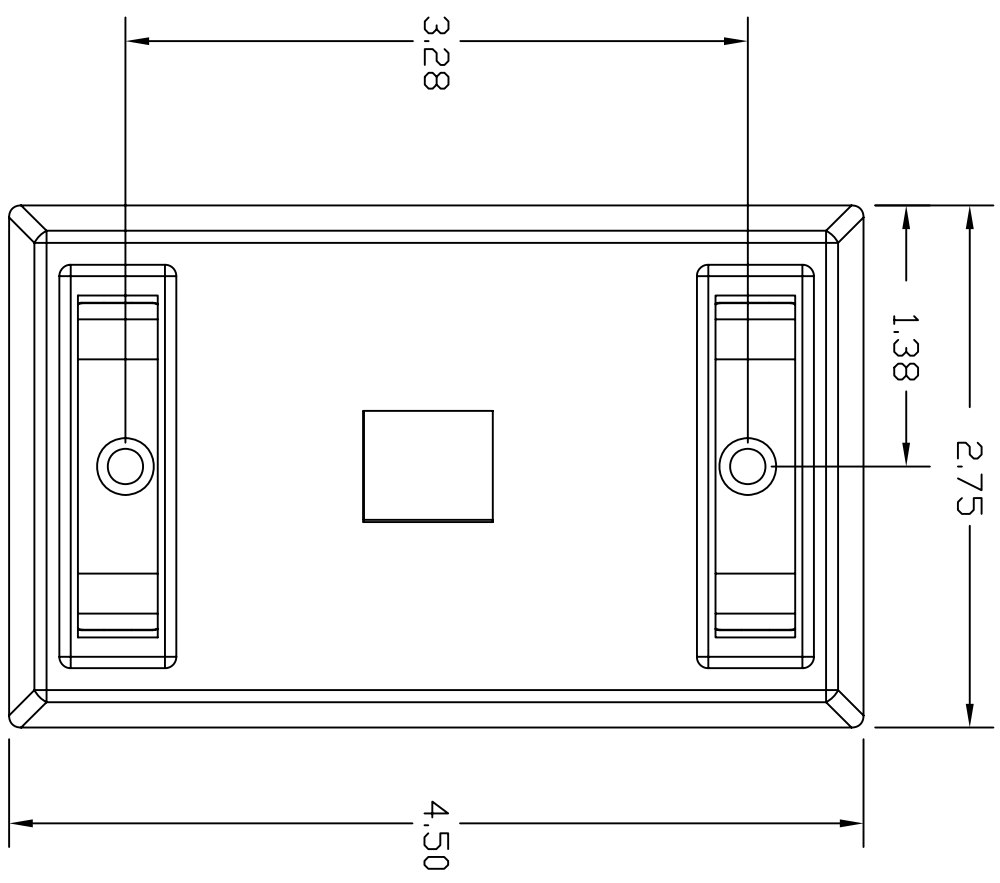


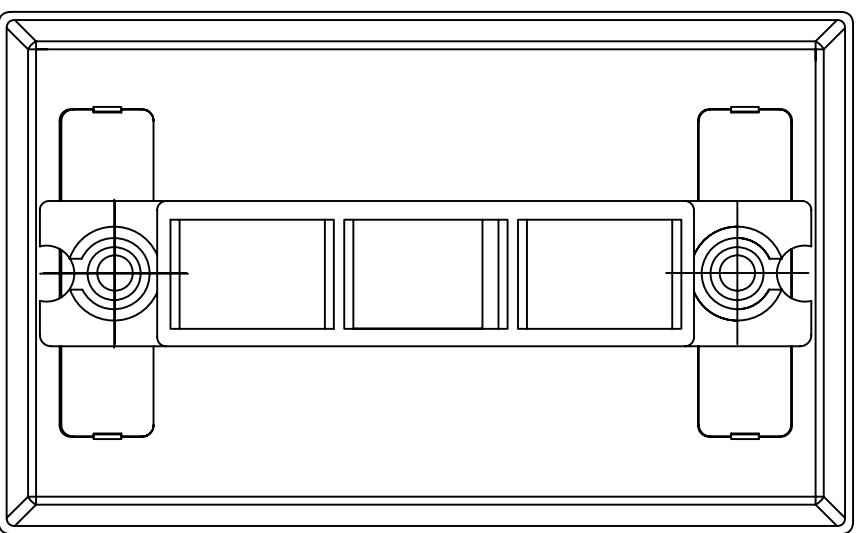
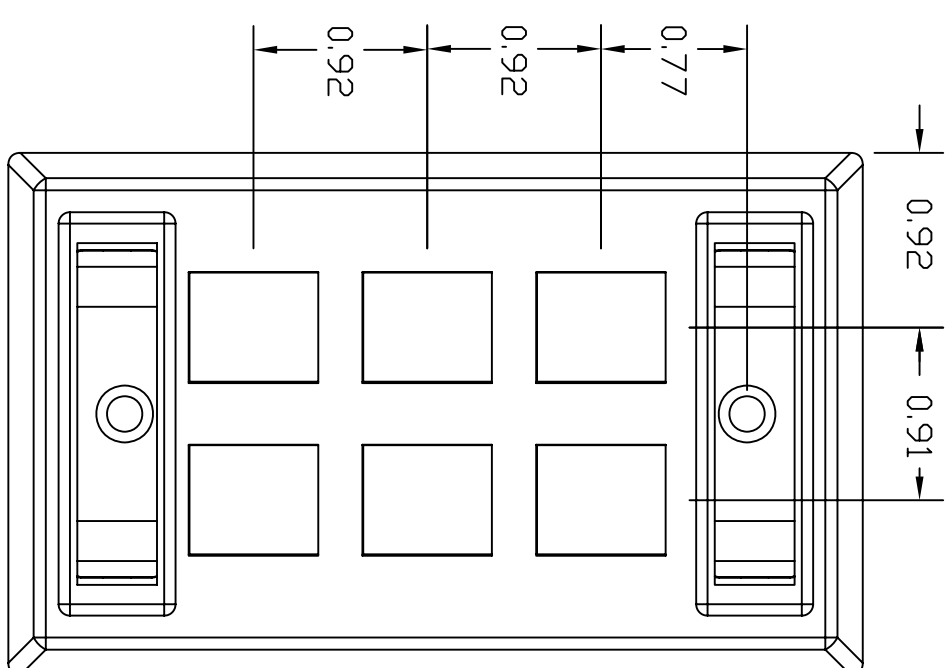
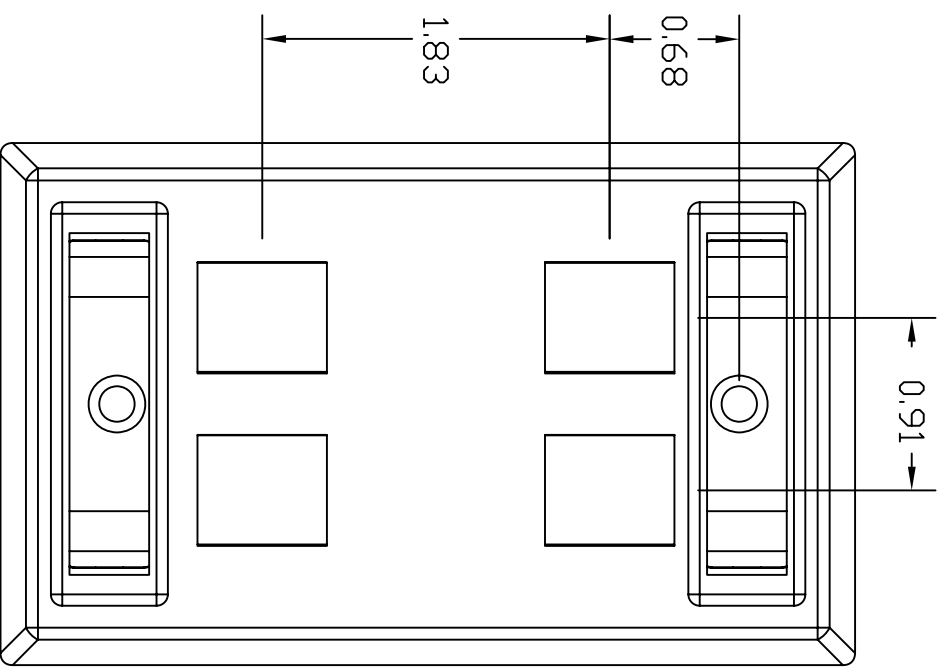
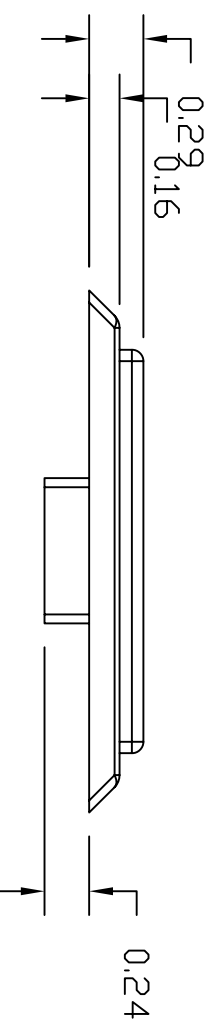
ITEM NO.	DESCRIPTION	QTY.
1	STAINLESS STEEL FACEPLATE	1
2	PAPER LABELS	2
3	FACEPLATE MOUNTING SCREWS #6-32 X 3/4"	2
4	LABEL COVERS	2

CATALOG NUMBER	DESCRIPTION
SSFL11	STAINLESS STEEL FACEPLATE, 1 PORT, LABELS
SSFL12	STAINLESS STEEL FACEPLATE, 2 PORT, LABELS
SSFL13	STAINLESS STEEL FACEPLATE, 3 PORT, LABELS
SSFL14	STAINLESS STEEL FACEPLATE, 4 PORT, LABELS
SSFL16	STAINLESS STEEL FACEPLATE, 6 PORT, LABELS



KEYSTONE OPENING

NOTES
UNLESS OTHERWISE SPECIFIED:
1. SPECIFICATIONS SUBJECT TO CHANGE WITHOUT NOTICE



REV.	ECN	DATE	DESCRIPTION	CHG BY	APPD BY
B	6508	01/21/09	DWG UPDATE, CORRECT DWG #, WAS 119555	NJR	
A	5183	11/7/03	INITIAL RELEASE	CG	

Created on AUTOCAD

DIMENSIONING AND TOLERANCE PER
ANSI Y14.5M-1982
UNLESS OTHERWISE SPECIFIED,
DIMENSIONS ARE IN INCHES (MM).
TOLERANCES:
.XX = ±.01 (.25)
.XXX = ±.005 (.127)
.XXXX = ±.0025 (.0635)
ANGLE TOL ±.1°

IN ACCEPTING OUR DRAWINGS,
BLUEPRINTS, OR SUPPORTING
DOCUMENTATION FOR QUOTATION
OR OTHER PURPOSES, YOU AGREE
NOT TO DISCLOSE TO OTHERS
THE IDEAS, INFORMATION, OR
DESIGNS SHOWN HEREIN, AND
THAT YOU WILL MAKE NO USE
OF SAME WITHOUT PERMISSION

PROJECT REFERENCE:

MATERIAL:
Plate: 430 SS COIL
Bracket: Thermoplastic
Label holder: Lexan

DRAWN BY:
C. GRIBBLE

CHECKED BY:

APPROVED BY:

HUBBELL

Hubbell Premise Wiring
HUBBELL INCORPORATED (Delaware)
14 Lord's Hill Road, Stonington, Connecticut 06378

TITLE:
STAINLESS STEEL FACEPLATE
SINGLE GANG WITH LABEL FIELDS

SIZE: C
DRAWING NO.: 11956C
SCALE: 1/1
SHEET 1 OF 1

REV. B