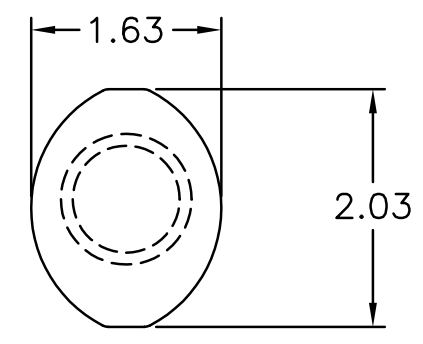
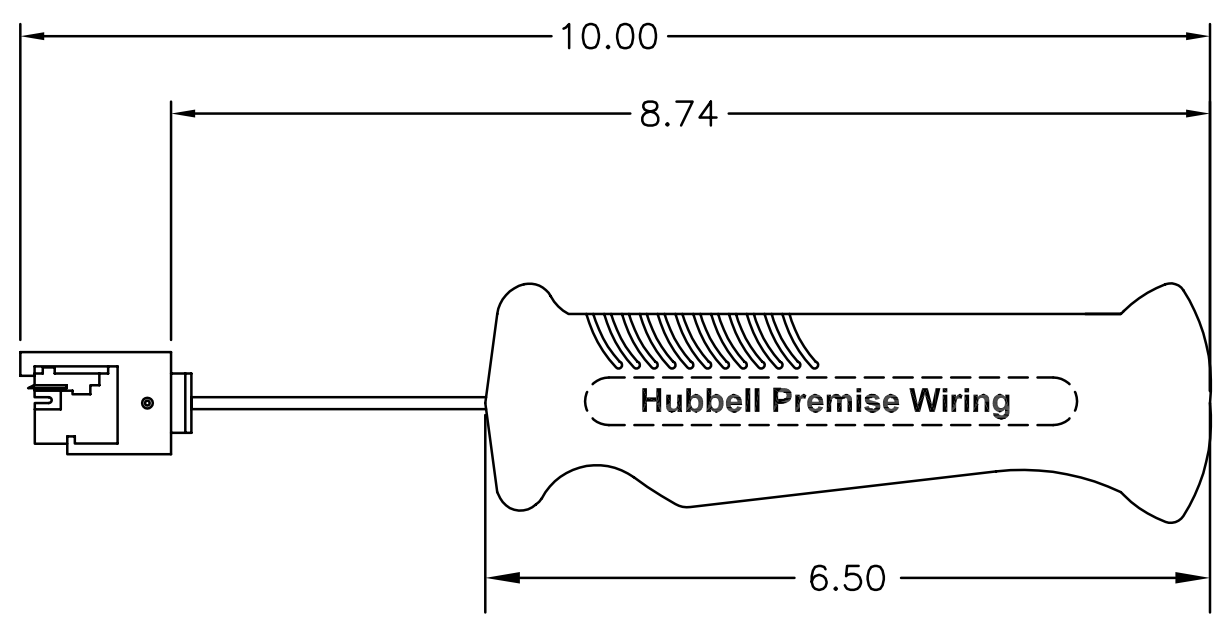
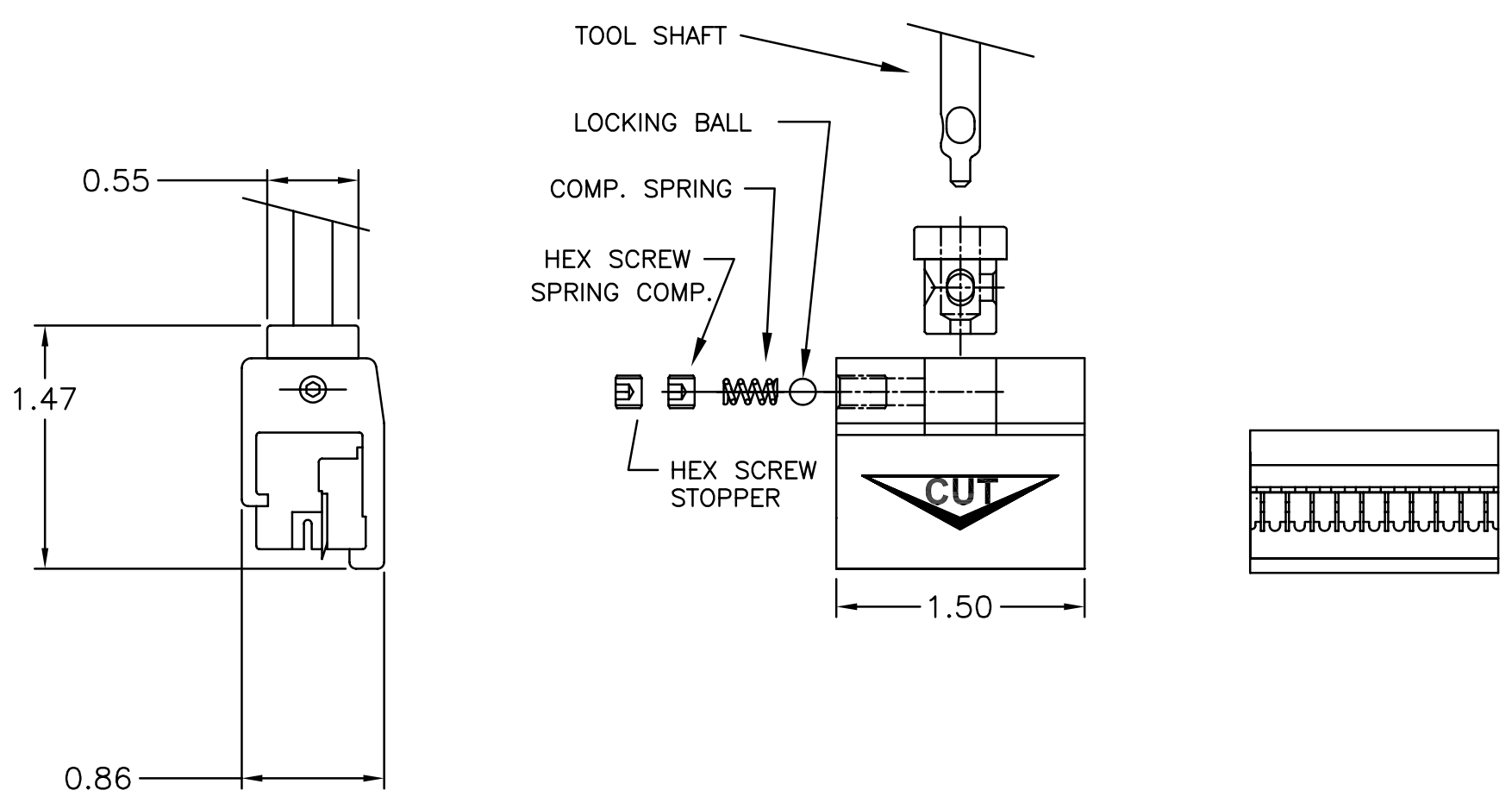


2	1
CATALOG NUMBER	DESCRIPTION
T5PPD110	5-PAIR 110 PUNCHDOWN TOOL
T5PPD110H	5-PAIR 110 REPLACEMENT HEAD
T5PPD110B	5-PAIR 110 REPLACEMENT BLADES




5-PAIR 110 PUNCHDOWN TOOL



5-PAIR REPLACEMENT HEAD

- NOTES:
- HANDLE HAS RUBBER BODY. COLOR IS BLACK.
 - RECOMMENDED FOR USE WITH 22-26 AWG WIRE ONLY. STRANDED (7 STRANDS) OR SOLID WIRE. WIRE INSULATION OD RANGE OF 0.031" - 0.044".
 - SPECIFICATIONS SUBJECT TO CHANGE WITHOUT NOTICE.

Created on AUTOCAD	DIMENSIONING AND TOLERANCE PER ANSI Y14.5M-1982 UNLESS OTHERWISE SPECIFIED, DIMENSIONS ARE IN INCHES (MM). TOLERANCES .XX = ±.01 (.25) .XXX = ±.005 (.127) .XXXX = ±.0025 (.0635) ANGLE TOL ±1°		PROJECT REFERENCE: PMS 109		 Hubbell Premise Wiring HUBBELL INCORPORATED (Delaware) 14 Lord's Hill Road, Stonington, Connecticut 06378
			MATERIAL: SEE NOTES		
			DRAWN BY: GLEN P. EIGO, 8/16/04		TITLE: 110 PUNCHDOWN TOOLS
			CHECKED BY: DAVE MCBAIN, 8/18/04		APPROVED BY: CHRIS GRIBBLE, 8/18/04
		APPROVED BY: CHRIS GRIBBLE, 8/18/04		SIZE: C DRAWING NO. C11803 REV. A	
		SCALE: NTS SHEET 1 OF 1			

REV.	ECN	DATE	DESCRIPTION	CHG BY	APPD BY
A	5396	8/16/04	INITIAL RELEASE	GPE	CG