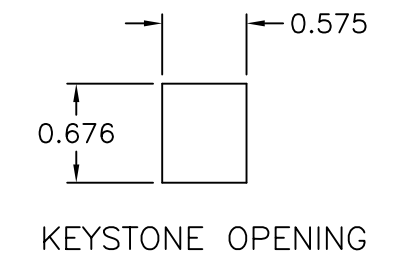
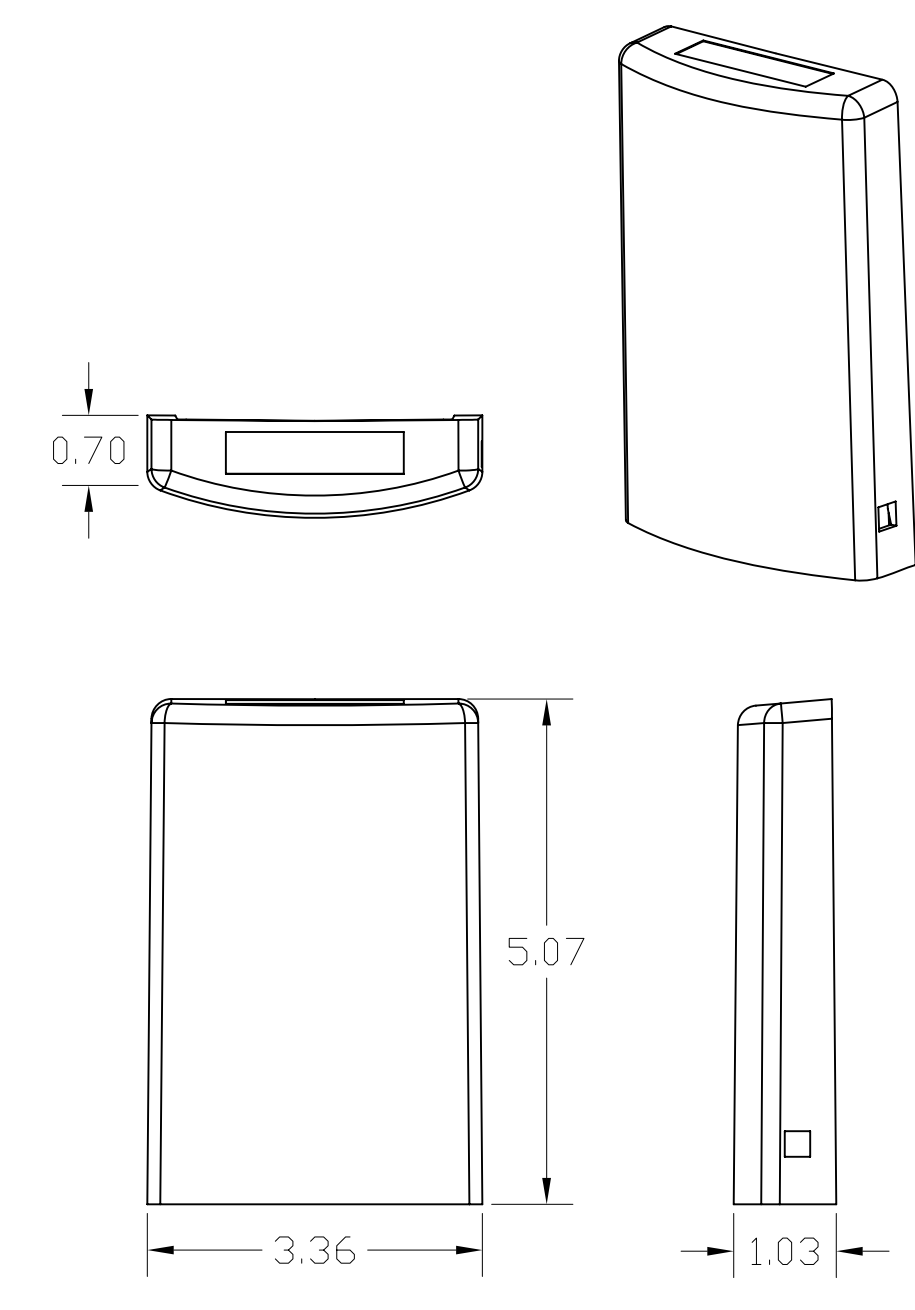
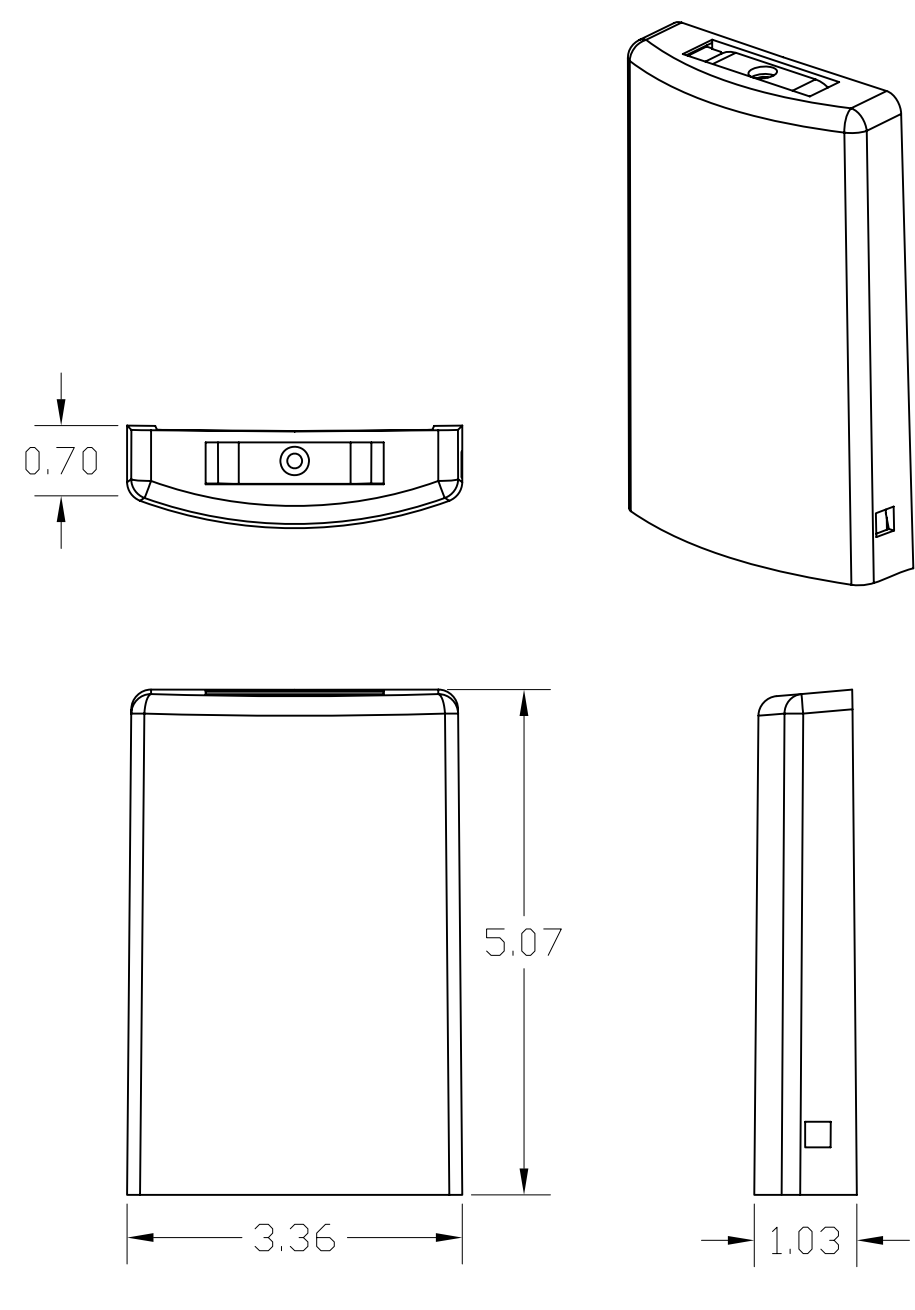
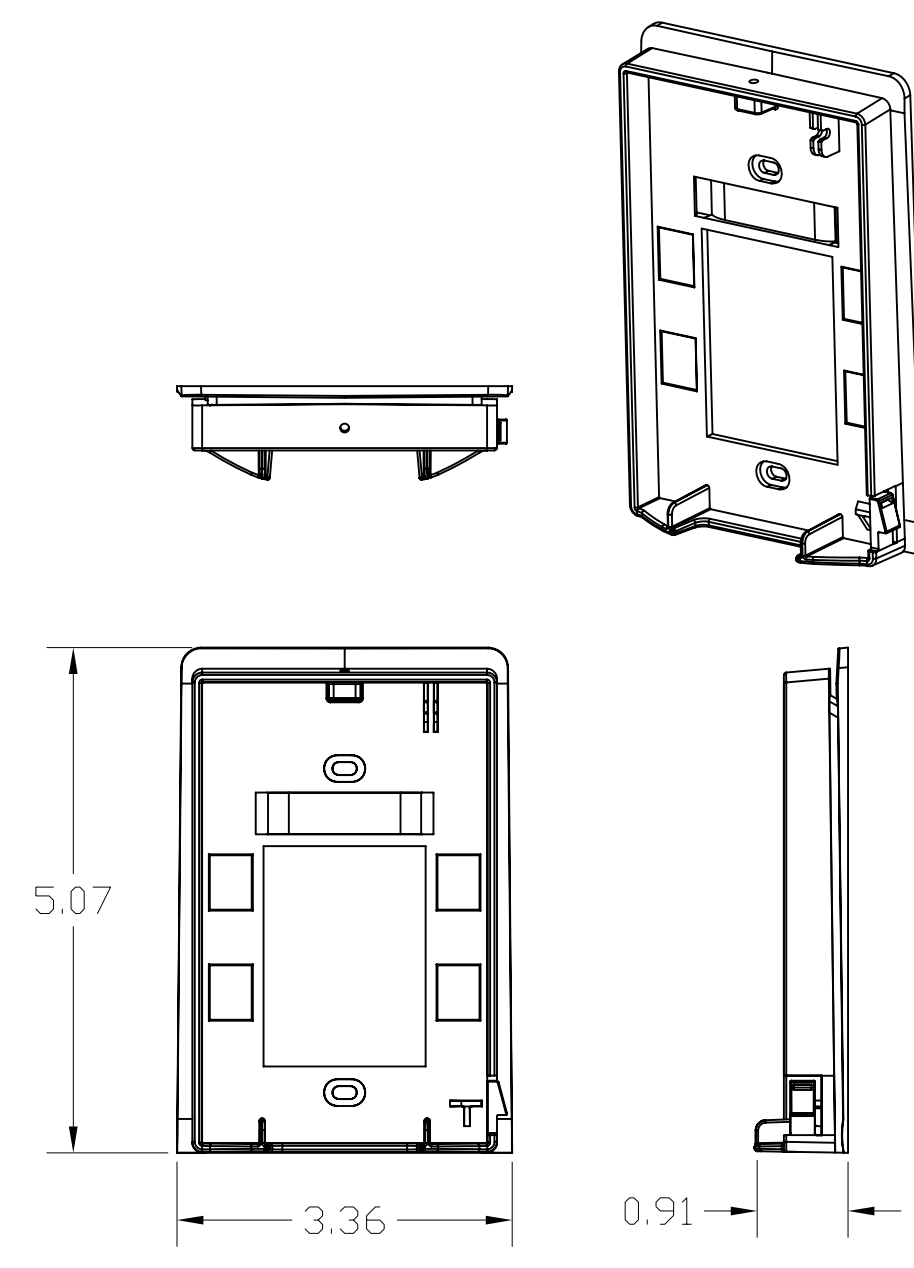
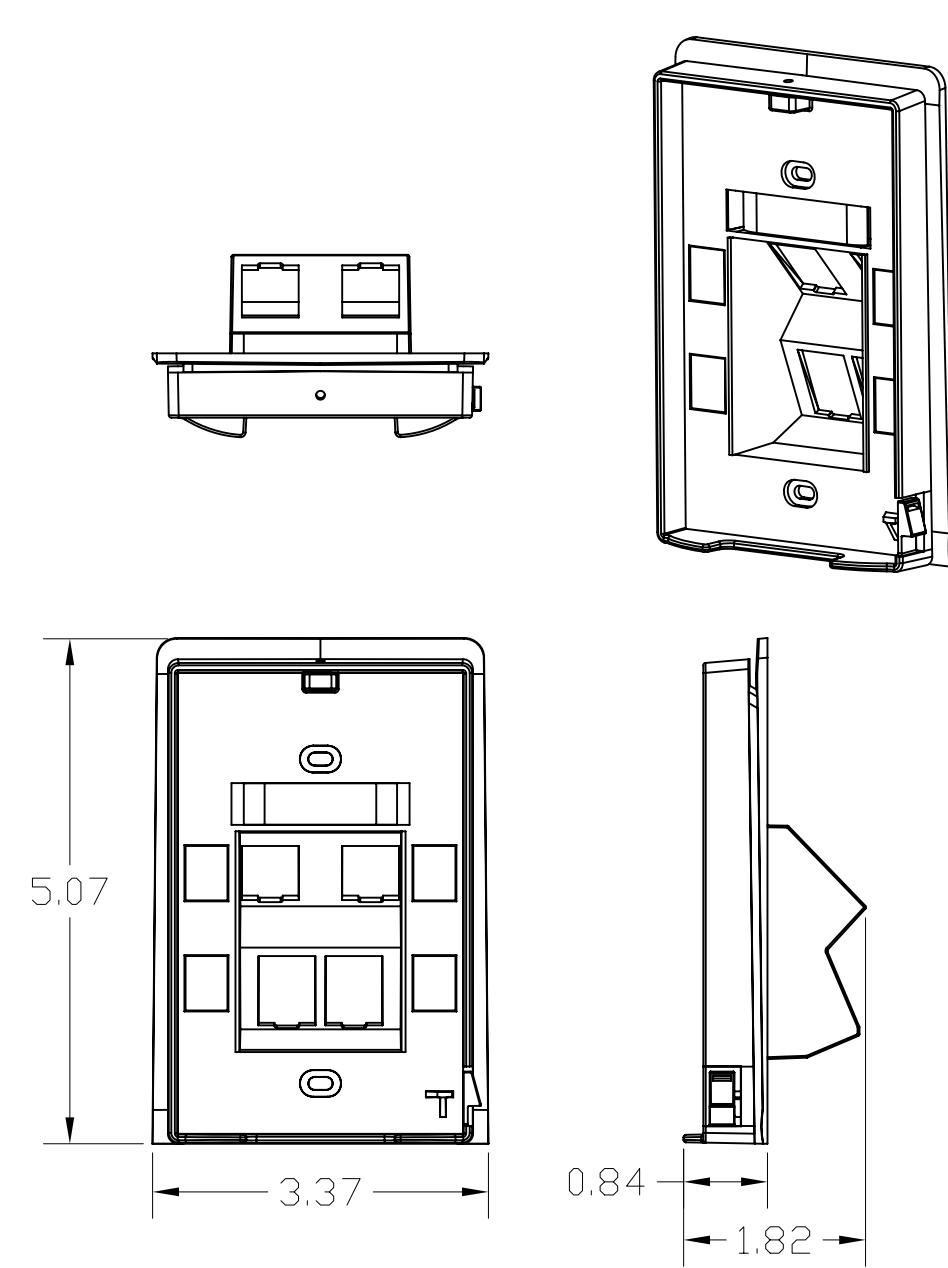


ITEM NO.	DESCRIPTION	QTY.
1	KEYSTONE BASE OR CABLE EXIT BASE	1
2	COVER (TAMPER-PROOF OR HARSH-E)	1
3	PLATE MOUNTING SCREWS	2
4	CLEAR LABEL COVERS	2
5	COLOR MATCHED LABEL COVERS	2
6	PAPER LABELS	2
7	GASKET	1

QUANTITY OF 1 FOR HARSH-E PLATE
 QUANTITY OF 1 FOR HARSH-E PLATE
 QUANTITY OF 1 FOR HARSH-E PLATE
 HARSH-E PLATE ONLY



CATALOG NUMBER	HOUSING COLOR	DESCRIPTION
TPF10W	OFFICE WHITE	TAMPER-PROOF PLATE
TPF1BK	BLACK	TAMPER-PROOF PLATE
TPF1GY	GRAY	TAMPER-PROOF PLATE
TPF1W	WHITE	TAMPER-PROOF PLATE
TPFC10W	OFFICE WHITE	TAMPER-PROOF REPLACEMENT COVER
TPFC1BK	BLACK	TAMPER-PROOF REPLACEMENT COVER
TPFC1GY	GRAY	TAMPER-PROOF REPLACEMENT COVER
TPFC1W	WHITE	TAMPER-PROOF REPLACEMENT COVER
ERF1GY	GRAY	HARSH-E PLATE
ERF1CY	GRAY	HARSH-E REPLACEMENT COVER
TPCP10W	OFFICE WHITE	TAMPER-PROOF PLATE W/ CABLE EXIT
TPCP1BK	BLACK	TAMPER-PROOF PLATE W/ CABLE EXIT
TPCP1GY	GRAY	TAMPER-PROOF PLATE W/ CABLE EXIT
TPCP1W	WHITE	TAMPER-PROOF PLATE W/ CABLE EXIT



NOTES
 UNLESS OTHERWISE SPECIFIED:
 1. SPECIFICATIONS SUBJECT TO CHANGE WITHOUT NOTICE

DIMENSIONING AND TOLERANCE PER ANSI Y14.5M-1982 UNLESS OTHERWISE SPECIFIED, DIMENSIONS ARE IN INCHES (MM). TOLERANCES .XX = ±.01 (.25) .XXX = ±.005 (.127) .XXXX = ±.0025 (.0635) ANGLE TO ±°	PROJECT REFERENCE: 2002-36	Hubbell Premise Wiring HUBBELL INCORPORATED (Delaware) 14 Lord's Hill Road, Stonington, Connecticut 06378	
	MATERIAL:		TITLE: TAMPER-PROOF / HARSH-E PLATE SYSTEM
	DRAWN BY: C. GRIBBLE 11/12/03	CHECKED BY:	SIZE: D
	APPROVED BY:	SCALE: 9/10	DRAWING NO. 11936C SHEET 1 OF 1

REV.	ECN	DATE	DESCRIPTION	CHG BY	APPD BY
B	6524	2/17/09	ADDED CABLE EXIT BASE OPTION	CG	