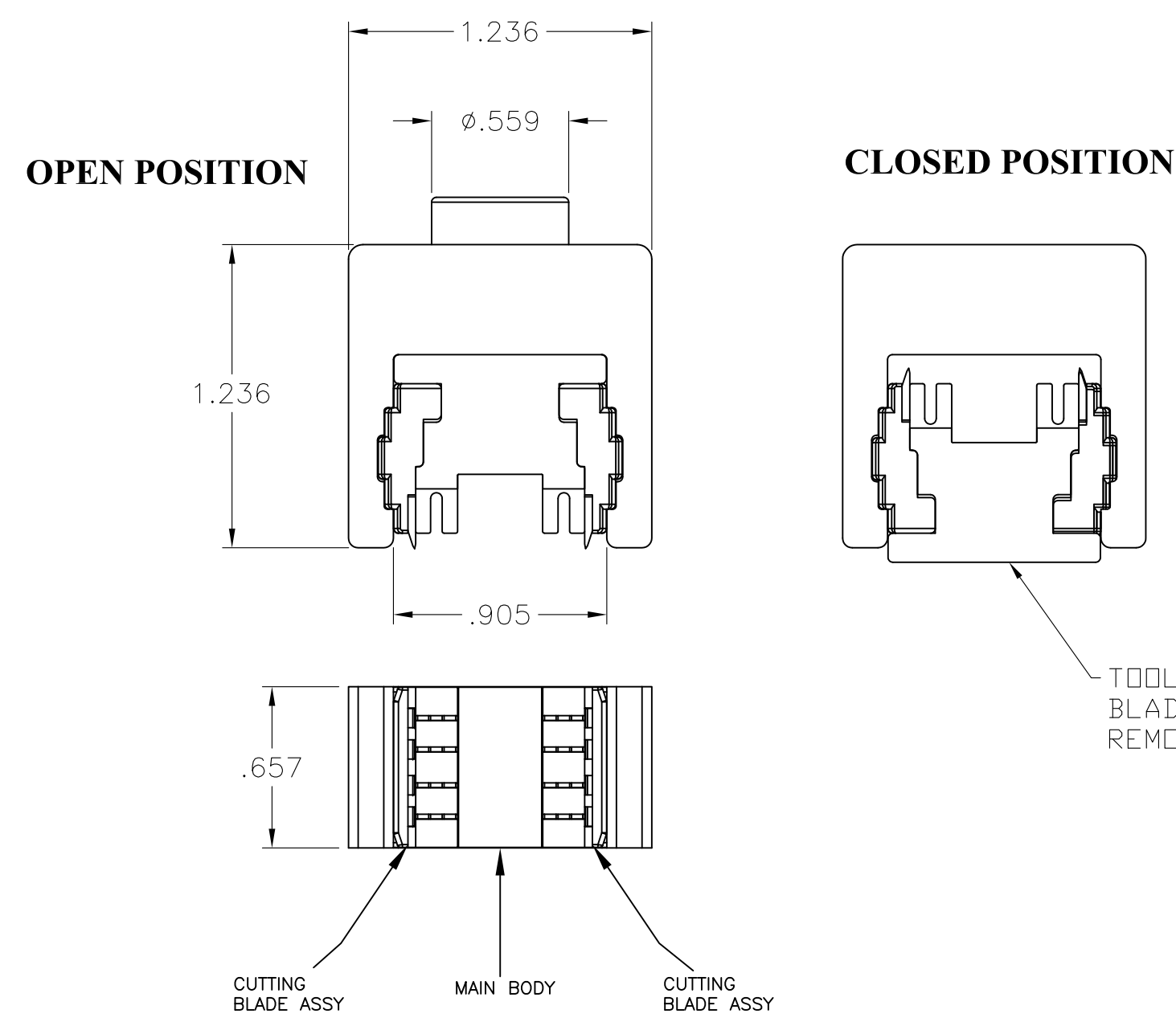
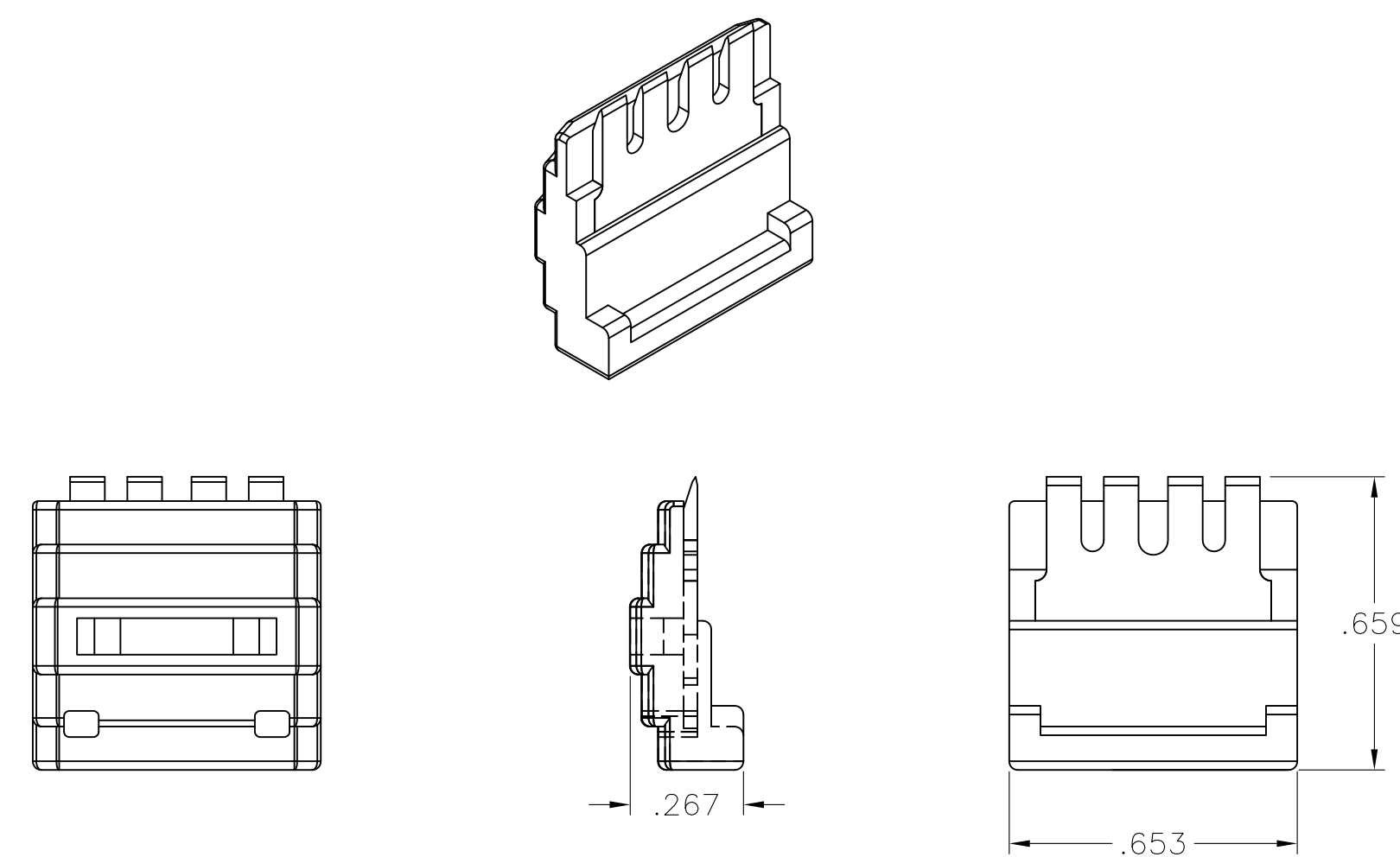


CATALOG NO. TX4P6A
ASSEMBLED ONE-PUNCH TERMINATION TOOL

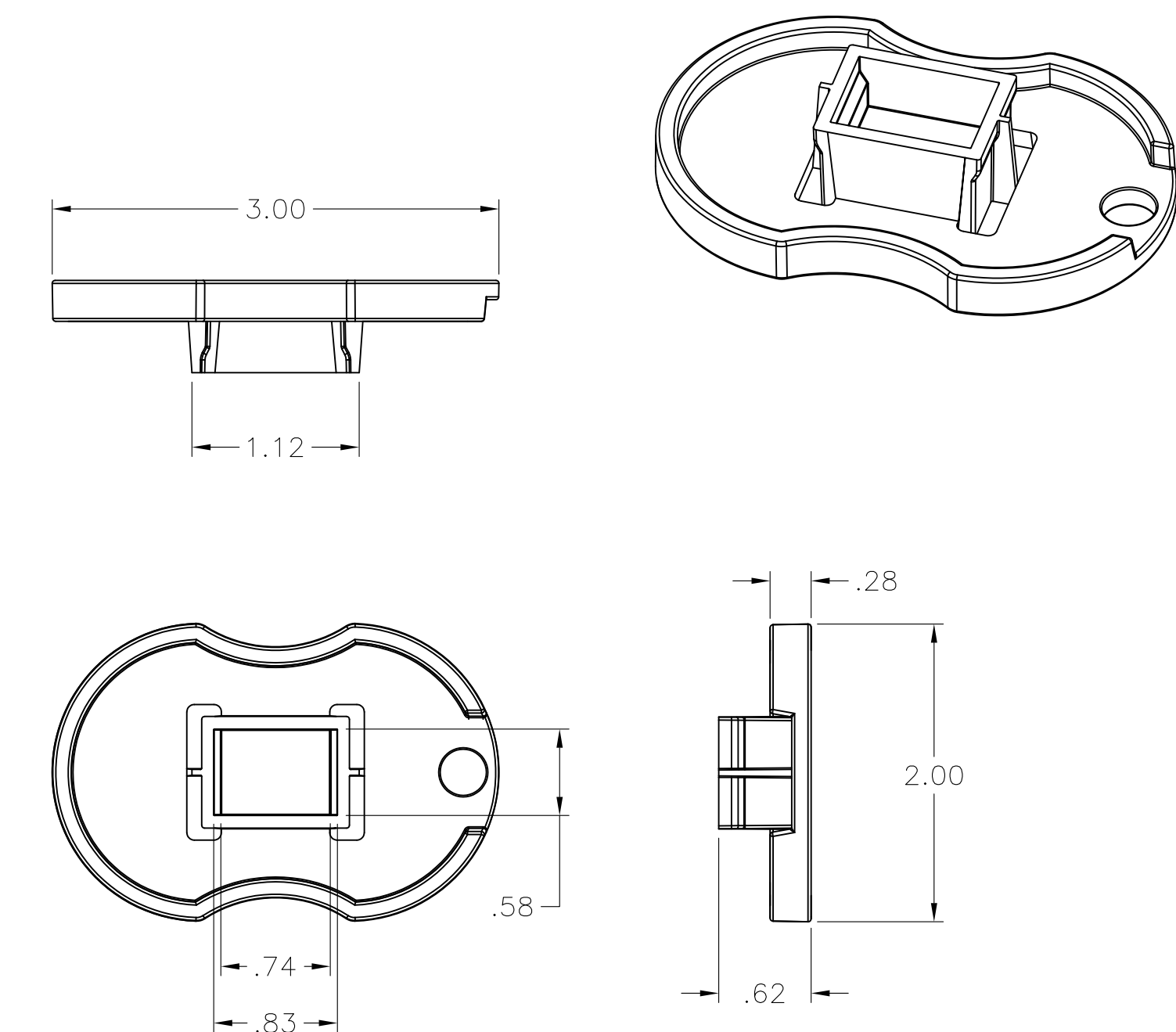


TOOL SHIPPED WITH
BLADE COVER INSTALLED.
REMOVE BEFORE USING.

CATALOG NO. TX4P6AH
ONE-PUNCH TOOL HEAD ASSEMBLY
(SHIPPED IN THE CLOSED POSITION)



CATALOG NO. TX4P6ABL
ONE-PUNCH REPLACEMENT BLADES



CATALOG NO. HJTP6A25
TERMINATION AID (ORANGE)

- NOTES:
1. SPECIFICATIONS SUBJECT TO CHANGE WITHOUT PRIOR NOTICE.
2. COMPATIBLE WITH HJ6Axx JACK ONLY.
3. TERMINATION HEAD MAY BE USED ON ANY HUBBELL TERMINATION TOOL HANDLE.

REV.	ECN	DATE	DESCRIPTION	CHG BY	APPD BY
2	21405	8/25/16	ADDED TX4P6AH, TX4P6ABL & HJTP6A25	JJRJ	

Created on AUTOCAD

DIMENSIONING AND TOLERANCE PER
ANSI Y14.5M-1982
UNLESS OTHERWISE SPECIFIED,
DIMENSIONS ARE IN INCHES (MM).
TOLERANCES
.XX = ±.01 (.25)
.XXX = ±.005 (.127)
.XXXX = ±.0025 (.0635)
ANGLE TOL ±1°

IN ACCEPTING OUR DRAWINGS,
BLUEPRINTS, OR SUPPORTING
DOCUMENTATION FOR QUOTATION
OR OTHER PURPOSES, YOU AGREE
NOT TO DISCLOSE TO OTHERS
THE IDEAS, INFORMATION, OR
DESIGNS SHOWN HEREIN, AND
THAT YOU WILL MAKE NO USE
OF SAME WITHOUT PERMISSION

PROJECT REFERENCE:
2008-001

MATERIAL:

DRAWN BY:
J.RUOT-JACKSON 8/25/16

CHECKED BY:

APPROVED BY:

		Hubbell Premise Wiring HUBBELL INCORPORATED (Delaware) 14 Lord's Hill Road, Stonington, Connecticut 06378	
TITLE: 4PR C6A JACK PUNCH DOWN TOOL			
SIZE	DRAWING NO.	REV.	
D	HWS12810C	2	
SCALE:	NTS	SHEET	1 OF 1