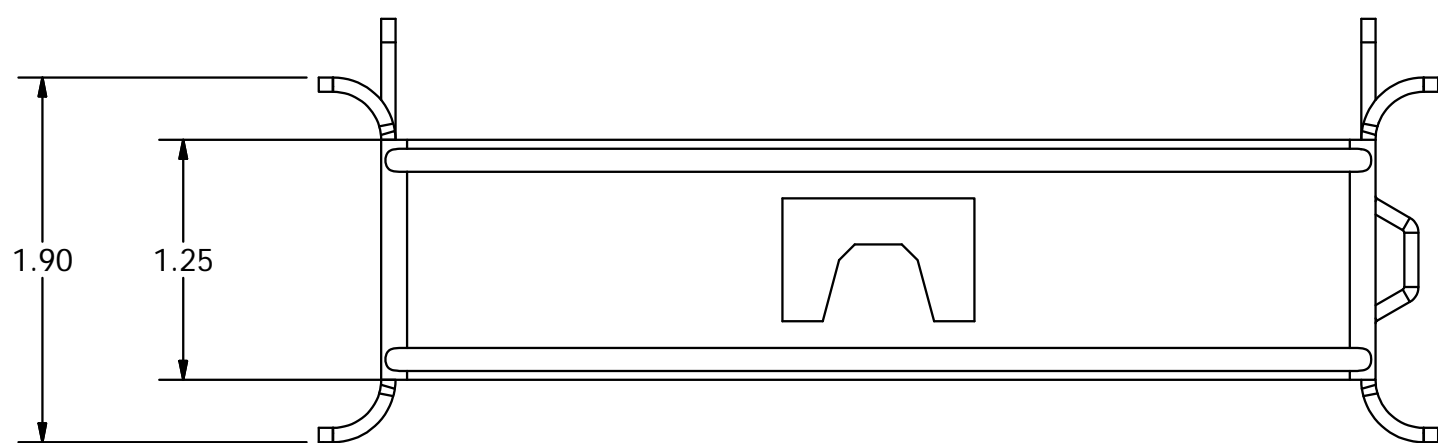
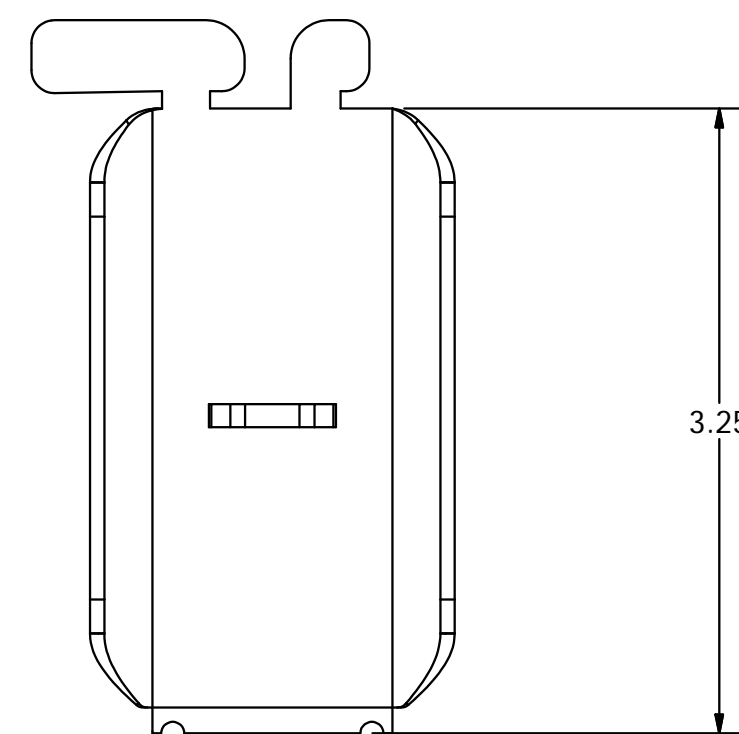
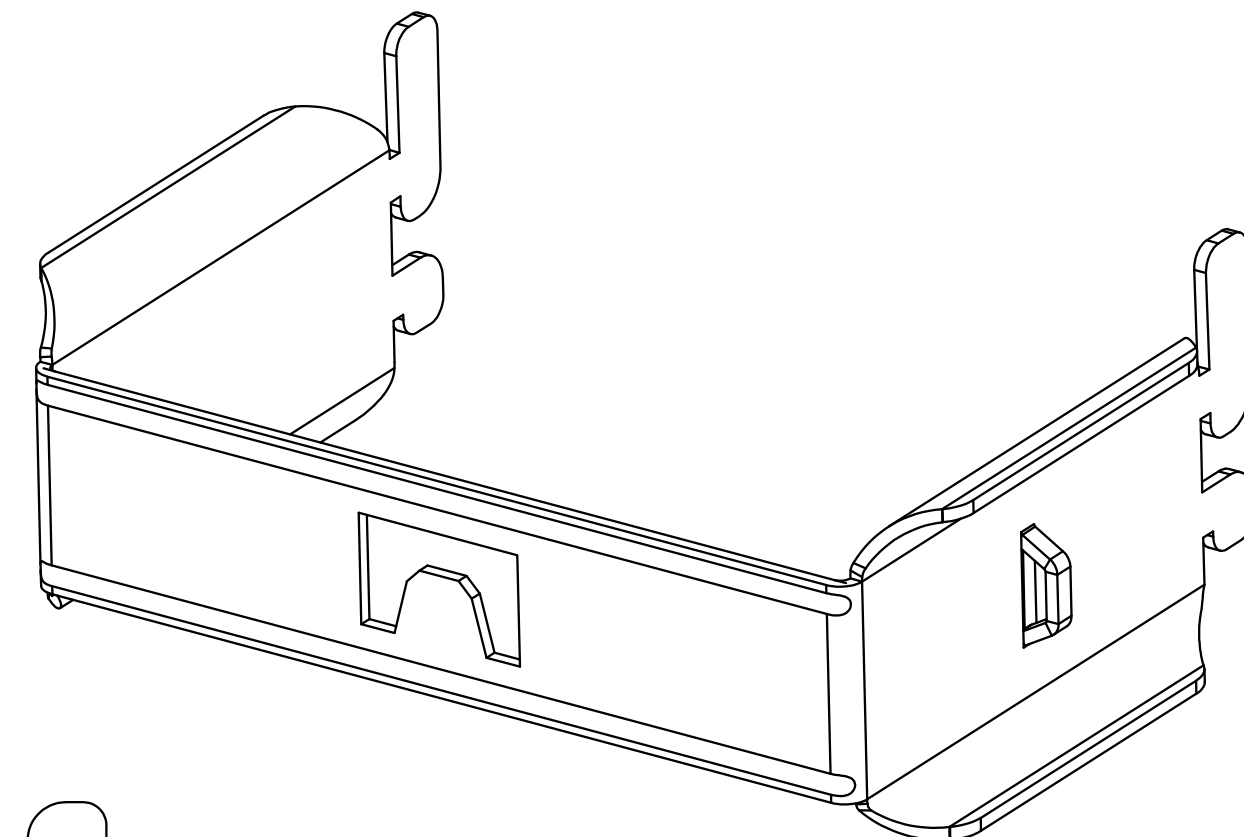
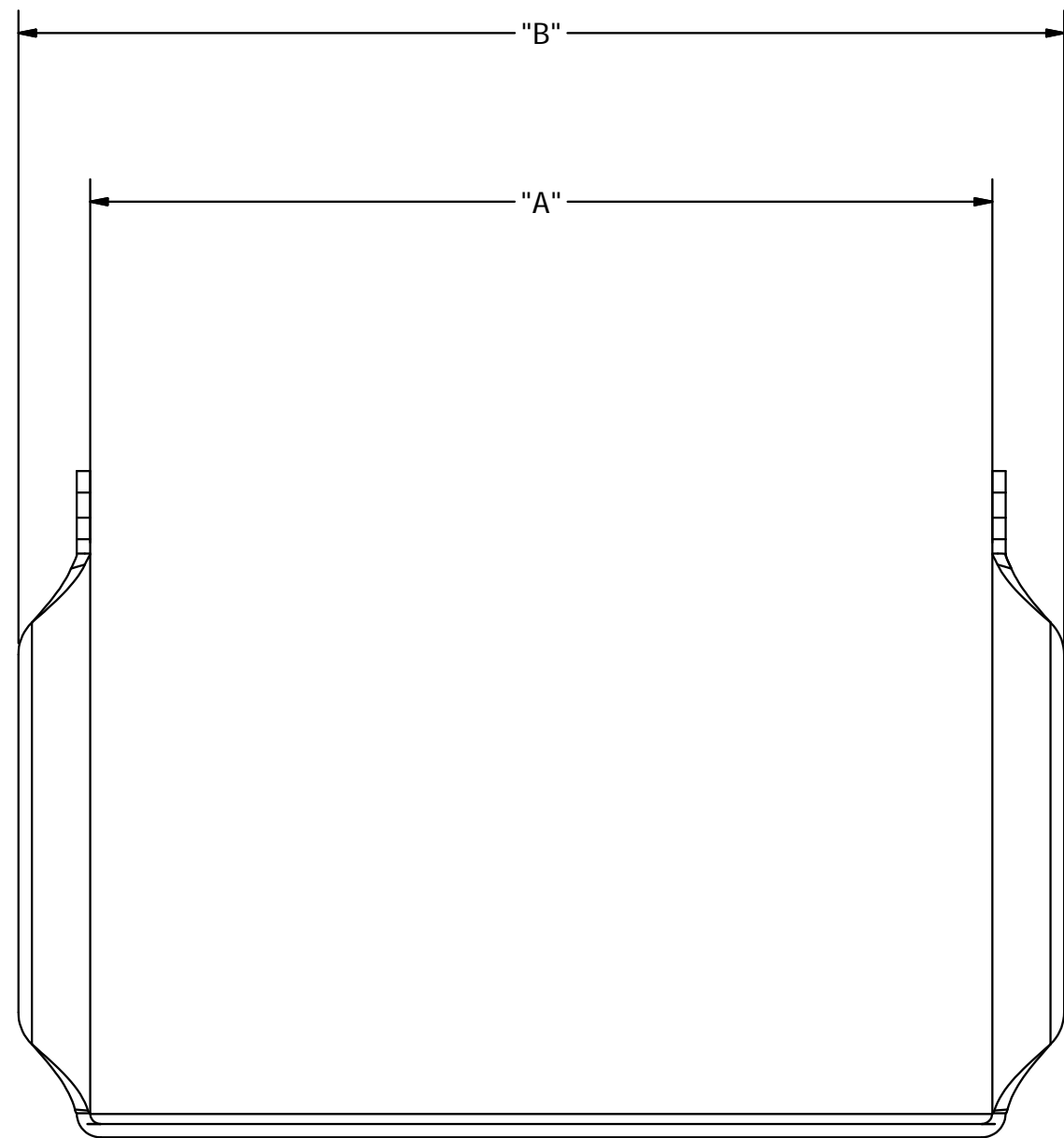



CATALOG NO.	DESCRIPTION	"A"	"B"
VCG3	3" WIDE GATE KIT	2.28	3.08
VCG4	4" WIDE GATE KIT	3.46	4.26
VCG6	6" WIDE GATE KIT	5.03	5.83



NOTES:

1. SURFACE FINISH: BLACK POWDER COAT
2. KIT CONTAINS:
(16) GATES
3. SPECIFICATIONS SUBJECT TO CHANGE WITHOUT NOTICE.

REV.	ECN	DATE	DESCRIPTION	CHG BY	APPD BY
1	21405	03/02/16	INITIAL RELEASE	MMA	DO

Created on INVENTOR	DIMENSIONING AND TOLERANCE PER ANSI Y14.5M-1982 UNLESS OTHERWISE SPECIFIED, DIMENSIONS ARE IN INCHES (MM). TOLERANCES: XX = ±.01 (.25) .XXX = ±.005 (.127) .XXXX = ±.0025 (.0635) ANGLE TOL ±1°		PROJECT REFERENCE:		 Hubbell Premise Wiring HUBBELL INCORPORATED (Delaware) 23 CLARA DRIVE, SUITE 103 MYSTIC, CT 06355	
	IN ACCEPTING OUR DRAWINGS, BLUEPRINTS, OR SUPPORTING DOCUMENTATION FOR QUOTATION OR OTHER PURPOSES, YOU AGREE NOT TO DISCLOSE TO OTHERS THE IDEAS, INFORMATION, OR DESIGNS SHOWN HEREIN, AND THAT YOU WILL MAKE NO USE OF SAME WITHOUT PERMISSION		MATERIAL: CRS			TITLE: GATE KIT FOR VERTICAL ORGANIZERS
			DRAWN BY: MABBY 03/01/16		SIZE: C	DRAWING NO.: 11475C
			CHECKED BY:		SCALE: N/A	REV. 1
		APPROVED BY:		SHEET 1 OF 1		