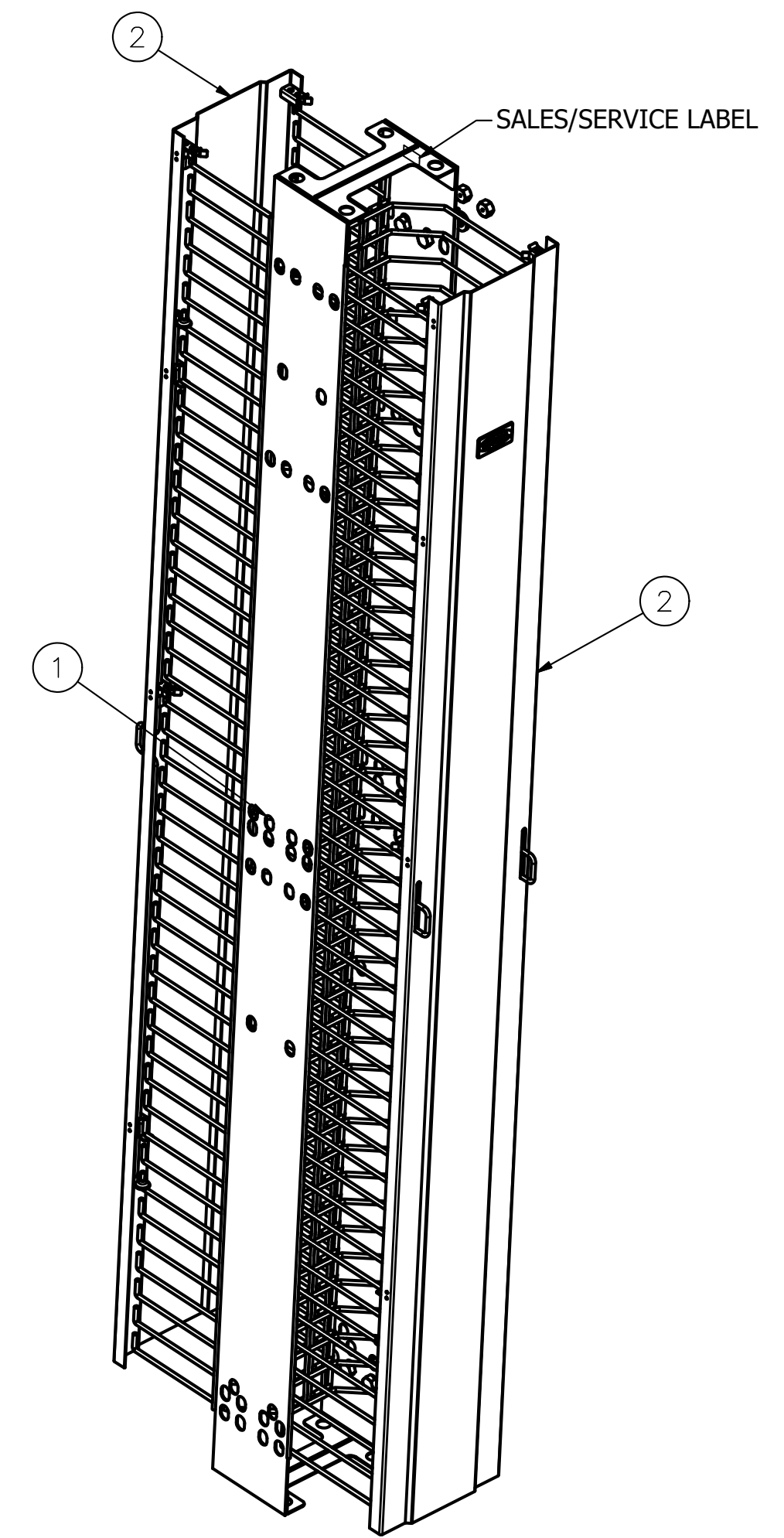
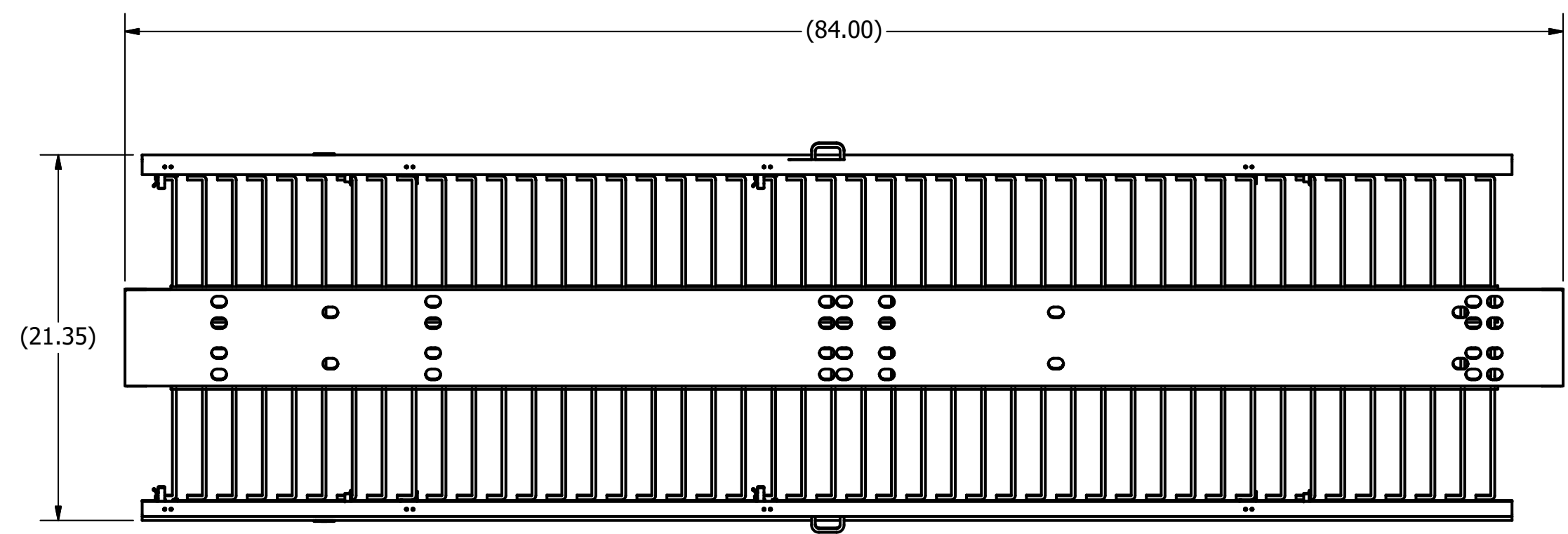
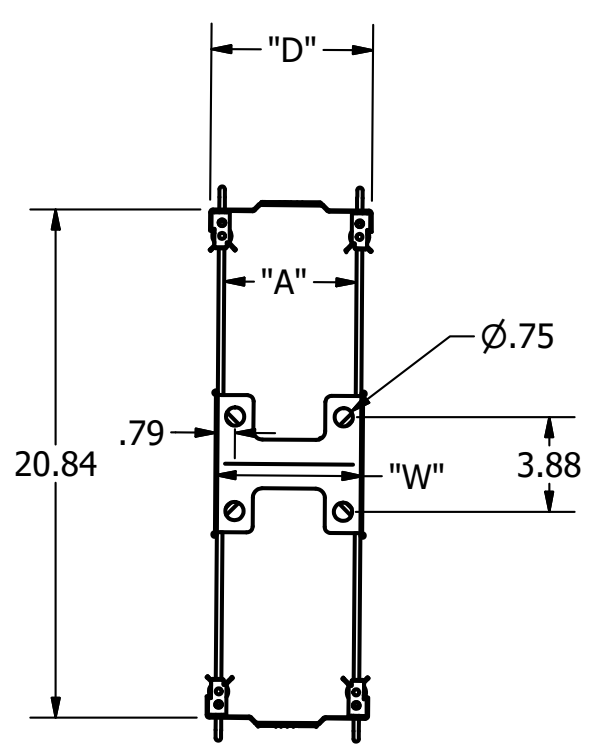


| ITEM | DESCRIPTION | QTY |
|------|--|-----|
| 1 | CHANNEL WELDMENT | 1 |
| 2 | DOOR | 2 |
| 3 | 1/2-13 X 1" HEX HEAD BOLT (NOT SHOWN) | 4 |
| 4 | 1/2-13 X 1.50" HEX HEAD BOLT (NOT SHOWN) | 4 |
| 5 | 1/2-13 HEX NUT (NOT SHOWN) | 8 |
| 6 | 1/2" X .125" LOCK WASHER (NOT SHOWN) | 8 |
| 7 | 1/2" FLAT WASHER | 4 |
| 8 | INSTRUCTION SHEET | 1 |

| CATALOG NO. | DESCRIPTION | CHANNEL WIDTH "W" | INSIDE WIDTH "A" | DOOR WIDTH "D" |
|-------------|--------------------------------------|-------------------|------------------|----------------|
| VM620 | 6" VM CABLE MANAGER, FRONT AND REAR | 6.03 | 5.42 | 6.62 |
| VM820 | 8" VM CABLE MANAGER, FRONT AND REAR | 8.03 | 7.42 | 8.62 |
| VM1020 | 10" VM CABLE MANAGER, FRONT AND REAR | 10.03 | 9.42 | 10.62 |
| VM1220 | 12" VM CABLE MANAGER, FRONT AND REAR | 12.03 | 11.42 | 12.62 |

NOTES:
 1. MATERIAL:
 CHANNEL WELDMENT: COLD ROLLED STEEL WITH STEEL WIRE
 DOOR: ALUMINUM
 FINISH: BLACK POWDER COAT
 2. COMPONENTS SHIP UNASSEMBLED.
 3. SPECIFICATIONS SUBJECT TO CHANGE WITHOUT NOTICE.



| REV. | ECN | DATE | DESCRIPTION | CHG BY | APPD BY |
|------|-------|---------|-----------------------------------|--------|---------|
| 3 | 22539 | 12/7/17 | REVISED CONSTRUCTION TO ONE PIECE | MMA | DO |

Created on INVENTOR

DIMENSIONING AND TOLERANCE PER ANSI Y14.5M-1982 UNLESS OTHERWISE SPECIFIED, DIMENSIONS ARE IN INCHES (MM). TOLERANCES: XX = ±.01 (.25) .XXX = ±.005 (.127) .XXXX = ±.0025 (.0635) ANGLE TOL ±1°

IN ACCEPTING OUR DRAWINGS, BLUEPRINTS, OR SUPPORTING DOCUMENTATION FOR QUOTATION OR OTHER PURPOSES, YOU AGREE NOT TO DISCLOSE TO OTHERS THE IDEAS, INFORMATION, OR DESIGNS SHOWN HEREIN, AND THAT YOU WILL MAKE NO USE OF SAME WITHOUT PERMISSION

PROJECT REFERENCE:
2012-014

MATERIAL:
STEEL

DRAWN BY:
MABBY 02/23/15

CHECKED BY:

APPROVED BY:

HUBBELL Hubbell Premise Wiring
 HUBBELL INCORPORATED (Delaware)
 23 CLARA DRIVE, SUITE 103 MYSTIC, CT 06355

TITLE:
DEEP VERTICAL CABLE ORGANIZER

SIZE: C DRAWING NO.: HWS14453C REV.: 3

SCALE: N/A SHEET 1 OF 1