

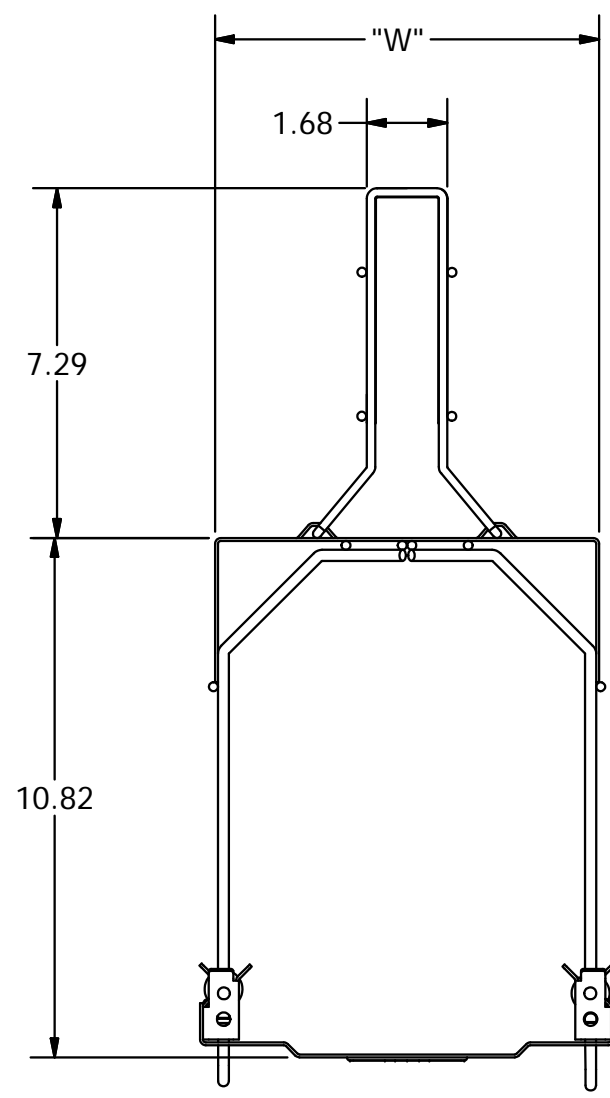
CATALOG NO.	DESCRIPTION	"B", GATE Q	"C", SPOOL	"D", REAR CABLE ORGANIZER	"W", WIDTH
VM613	MAX VRT CBL MGR,6W,13D,GATES,SPOOLS	4	20	N/A	6.00
VM813	MAX VRT CBL MGR,8W,13D,GATES,SPOOLS	4	20	N/A	8.00
VM1013	MAX VRT CBL MGR,10W,13D,GATES,SPOOLS	4	20	N/A	10.00
VM1213	MAX VRT CBL MGR,12W,13D,GATES,SPOOLS	4	20	N/A	12.00
VM618	MAX VRT CBL MGR,6W,18D,RR CBL BSKT	N/A	N/A	1	6.00
VM818	MAX VRT CBL MGR,8W,18D,RR CBL BSKT	N/A	N/A	1	8.00
VM1018	MAX VRT CBL MGR,10W,18D,RR CBL BSKT	N/A	N/A	1	10.00
VM1218	MAX VRT CBL MGR,12W,18D,RR CBL BSKT	N/A	N/A	1	12.00

ITEM NO.	DESCRIPTION	QTY
1	VERTICAL ORGANIZER W/DOOR	1
2	GATE	"B"
3	3" LONG SPOOL	"C"
4	REAR CABLE MANAGER	"D"

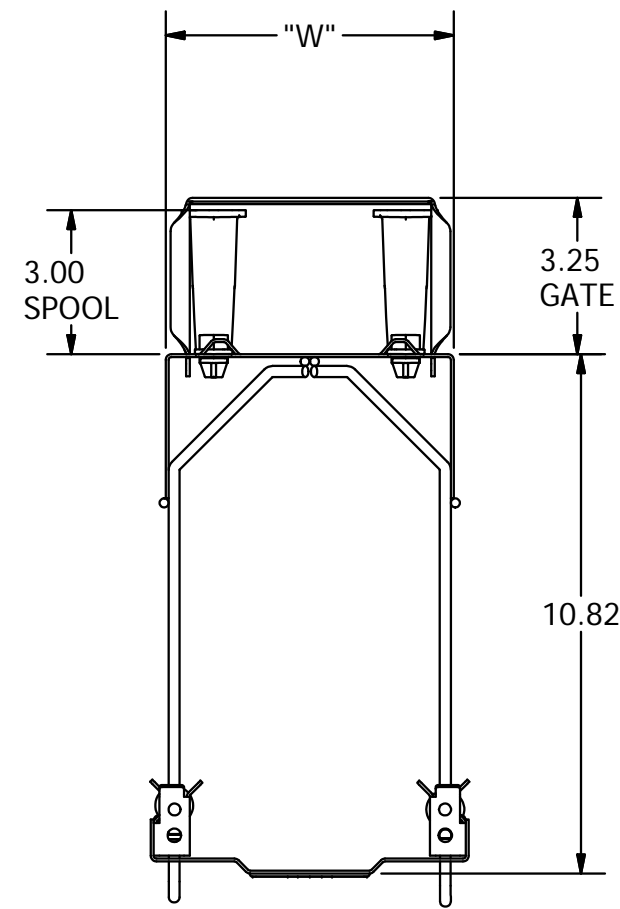
NOTES:

- ALL ITEMS SHIP UNASSEMBLED.
- MATERIAL:
CHANNEL: COLD ROLLED STEEL
DOOR: ALUMINUM
GATE: COLD ROLLED STEEL
SPOOL: BLACK PC/ABS

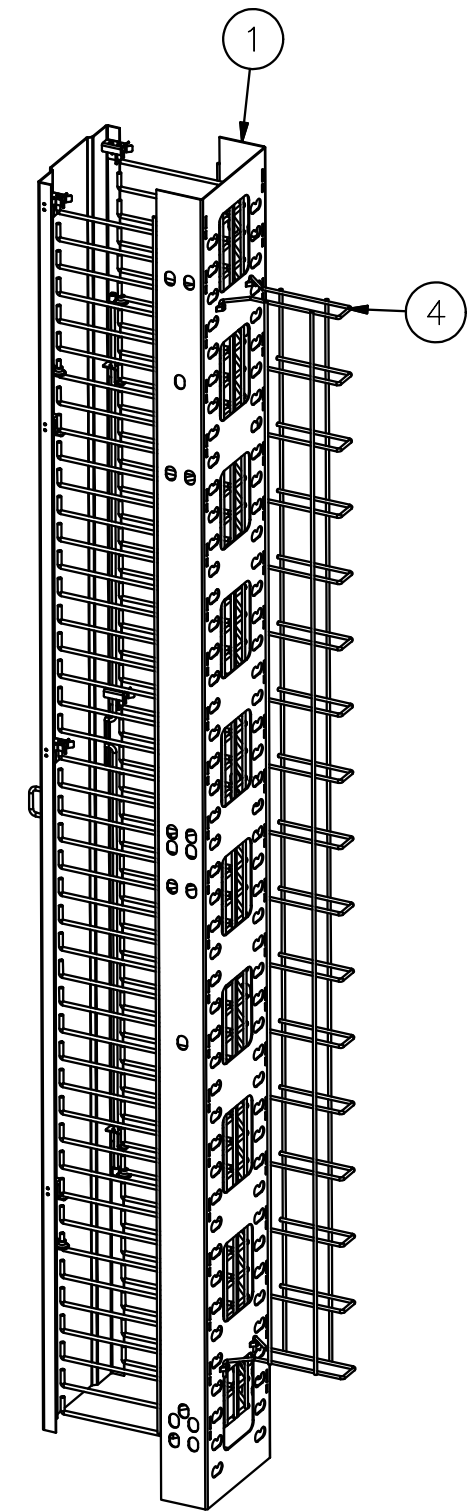
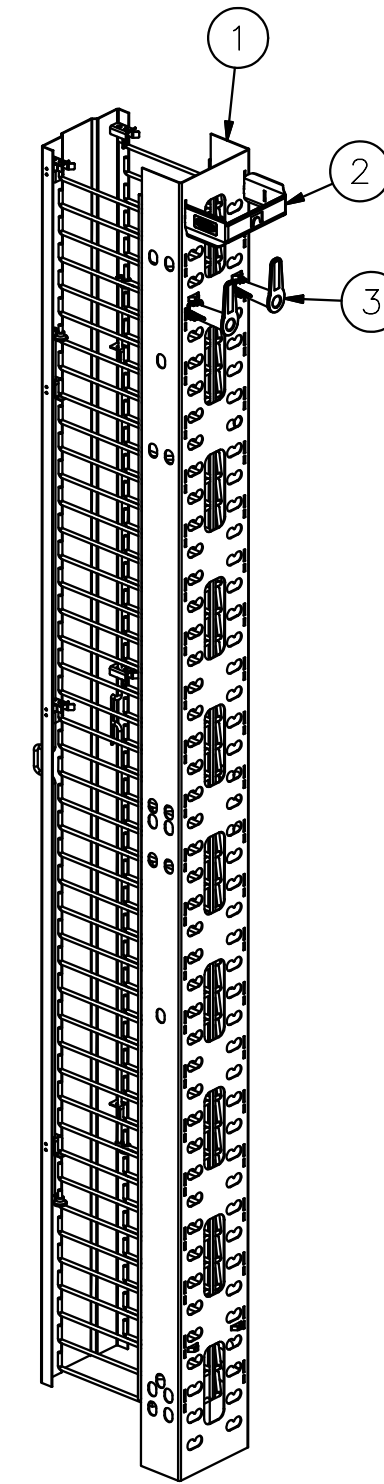
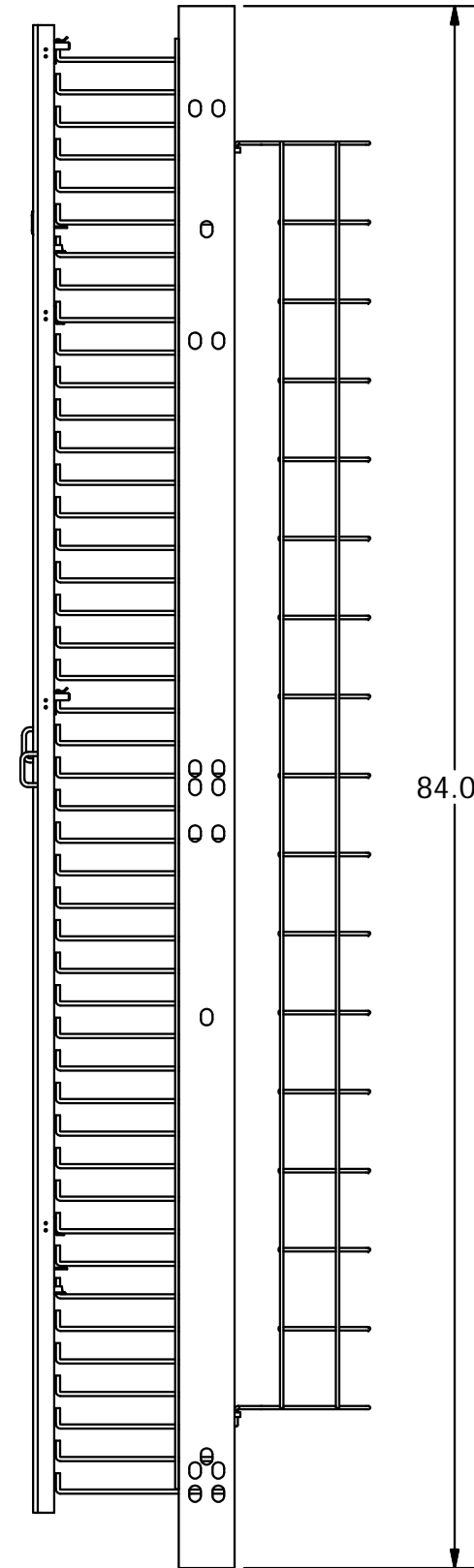
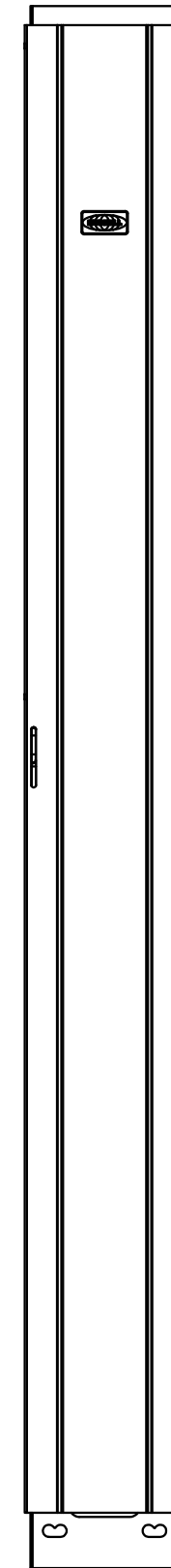
SURFACE FINISH: BLACK POWDER COAT
- SPECIFICATIONS SUBJECT TO CHANGE WITHOUT NOTICE.



VMx18
(FOR REF ONLY)



VMx13
(FOR REF ONLY)



Created on INVENTOR	DIMENSIONING AND TOLERANCE PER ANSI Y14.5M-1982 UNLESS OTHERWISE SPECIFIED, DIMENSIONS ARE IN INCHES (MM). TOLERANCES: XX = ±.01 (.25) .XXX = ±.005 (.127) .XXXX = ±.0025 (.0635) ANGLE TOL ±1°		PROJECT REFERENCE: 2012-014		Hubbell Premise Wiring HUBBELL INCORPORATED (Delaware) 23 CLARA DRIVE, SUITE 103 MYSTIC, CT 06355	
	IN ACCEPTING OUR DRAWINGS, BLUEPRINTS, OR SUPPORTING DOCUMENTATION FOR QUOTATION OR OTHER PURPOSES, YOU AGREE NOT TO DISCLOSE TO OTHERS THE IDEAS, INFORMATION, OR DESIGNS SHOWN HEREIN, AND THAT YOU WILL MAKE NO USE OF SAME WITHOUT PERMISSION		MATERIAL: SEE NOTES			TITLE: ASSY, VM VERTICAL ORGANIZER
			DRAWN BY: M. ABBY 12/23/14		SIZE: C DRAWING NO.: HWS13078C	REV.: 2
			CHECKED BY: APPROVED BY:		SCALE: N/A SHEET 1 OF 1	

REV.	ECN	DATE	DESCRIPTION	CHG BY	APPD BY
2	19620	04/13/15	UPDATED TABLE	MMA	