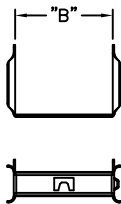
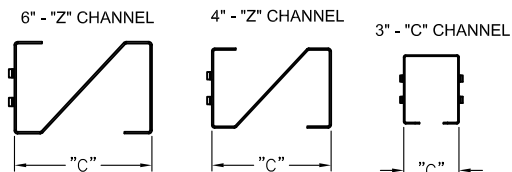
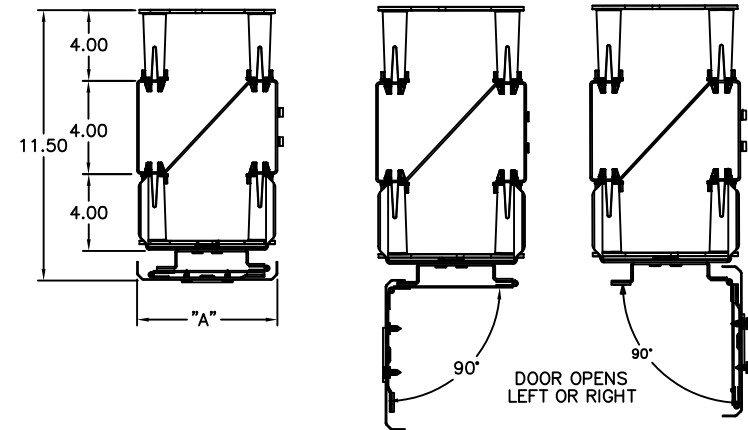
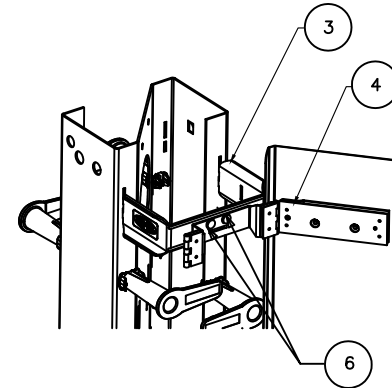
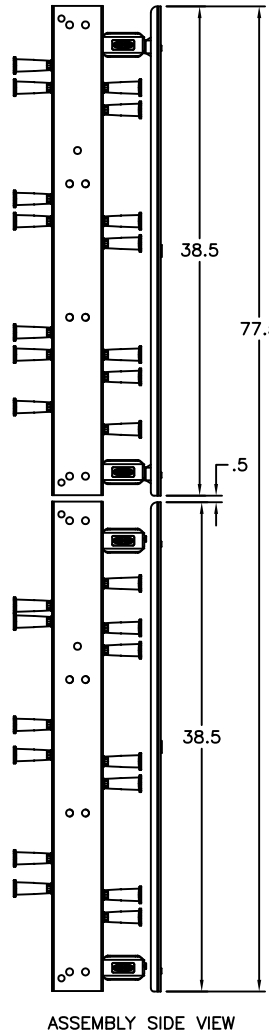
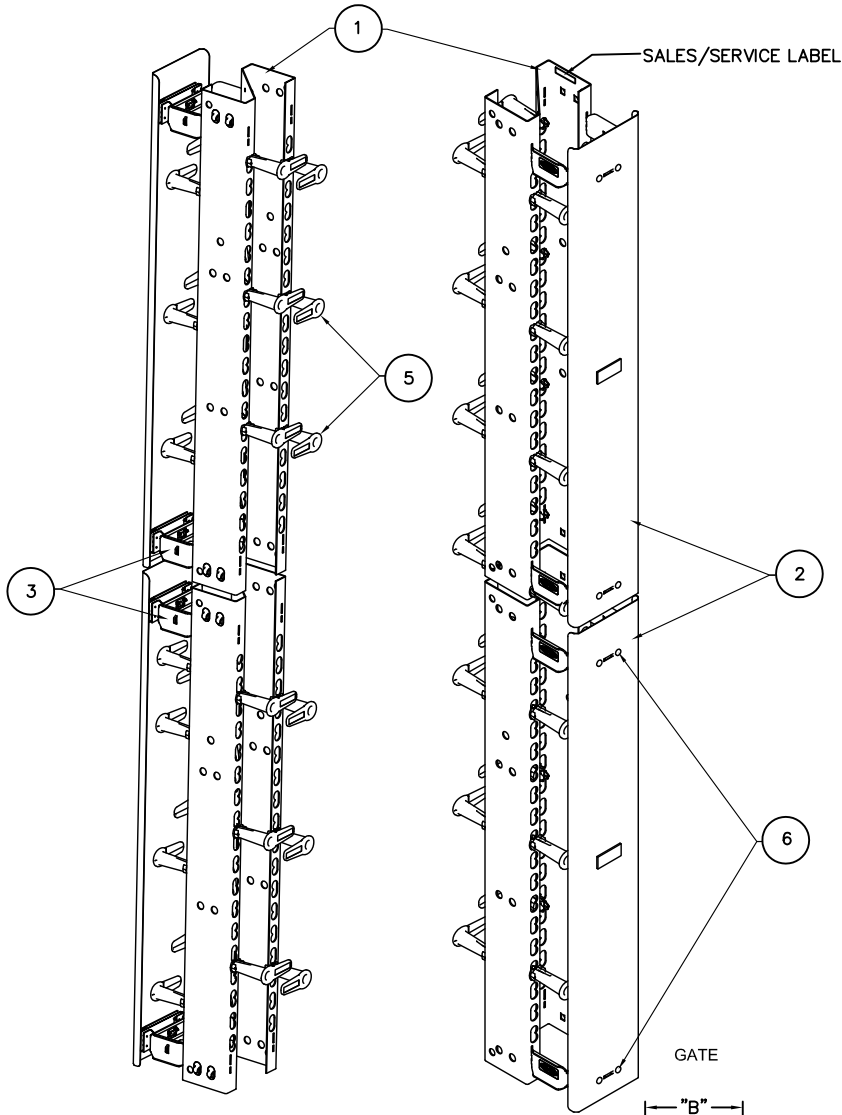


CATALOG NO.	DESCRIPTION	COVER WIDTH ("A" DIM)	GATE WIDTH ("B" DIM)	CHANNEL WIDTH ("C" DIM)
VS76H	6" WIDE X 4" DEEP - Z CHANNEL	6" COVER - 6.00	6" GATE - 5.03	6" CHANNEL - 6.00
VS74H	4.5" WIDE X 4" DEEP - Z- CHANNEL	4" COVER - 4.50	4" GATE - 3.46	4" CHANNEL - 4.54
VS73H	3.25" WIDE X 4" DEEP - C CHANNEL	4" COVER - 4.50	3" GATE - 2.28	3" CHANNEL - 3.25

ITEM NO.	DESCRIPTION	QTY.
1	VERTICAL CHANNEL	2
2	COVER	2
3	GATE	4
4	HINGE BRACKET	4
5	CABLE MGT SPOOL	24
6	PUSH FASTENER	20
7	INSTRUCTION SHEET	1
8	HARDWARE PACK	1

NOTES:

1. SURFACE FINISH: BLACK POWDER COAT
2. KITS SHOULD CONTAIN ITEMS 1 THRU 7 (SEE TABULATION).
3. ALL COMPONENTS ARE SHIPPED UNASSEMBLED.
4. SPECIFICATION SUBJECT TO CHANGE WITH OUT NOTICE.



Created on AUTOCAD

DIMENSIONING AND TOLERANCE PER
ANSI Y14.5M-1982
UNLESS OTHERWISE SPECIFIED,
DIMENSIONS ARE IN INCHES (MM).
TOLERANCES
.XX = ±.01 (.25)
.XXX = ±.005 (.127)
.XXXX = ±.0025 (.0635)
ANGLE TOL ±1°

IN ACCEPTING OUR DRAWINGS,
BLUEPRINTS, OR SUPPORTING
DOCUMENTATION FOR QUOTATION
OR OTHER PURPOSES, YOU AGREE
NOT TO DISCLOSE TO OTHERS
THE IDEAS, INFORMATION, OR
DESIGNS SHOWN HEREIN, AND
THAT YOU WILL MAKE NO USE
OF SAME WITHOUT PERMISSION

PROJECT REFERENCE:

MATERIAL:

DRAWN BY:

N. RICHARDS 04-17-06

CHECKED BY:

APPROVED BY:



Hubbell Premise Wiring
HUBBELL INCORPORATED (Delaware)
14 Lord's Hill Road, Stonington, Connecticut 06378

TITLE: VERTICAL CABLE ORGANIZER
W/ HINGED COVER & SNAP-IN SPOOLS

SIZE DRAWING NO.

C HWS12186C

REV.

B

SCALE:

N/A

SHEET

1 OF 1

REV.	ECN	DATE	DESCRIPTION	CHG BY	APPD BY
B	19462	09-05-14	UPDATED CHANNELS & SPOOLS PICTORIALY	JJRJ	