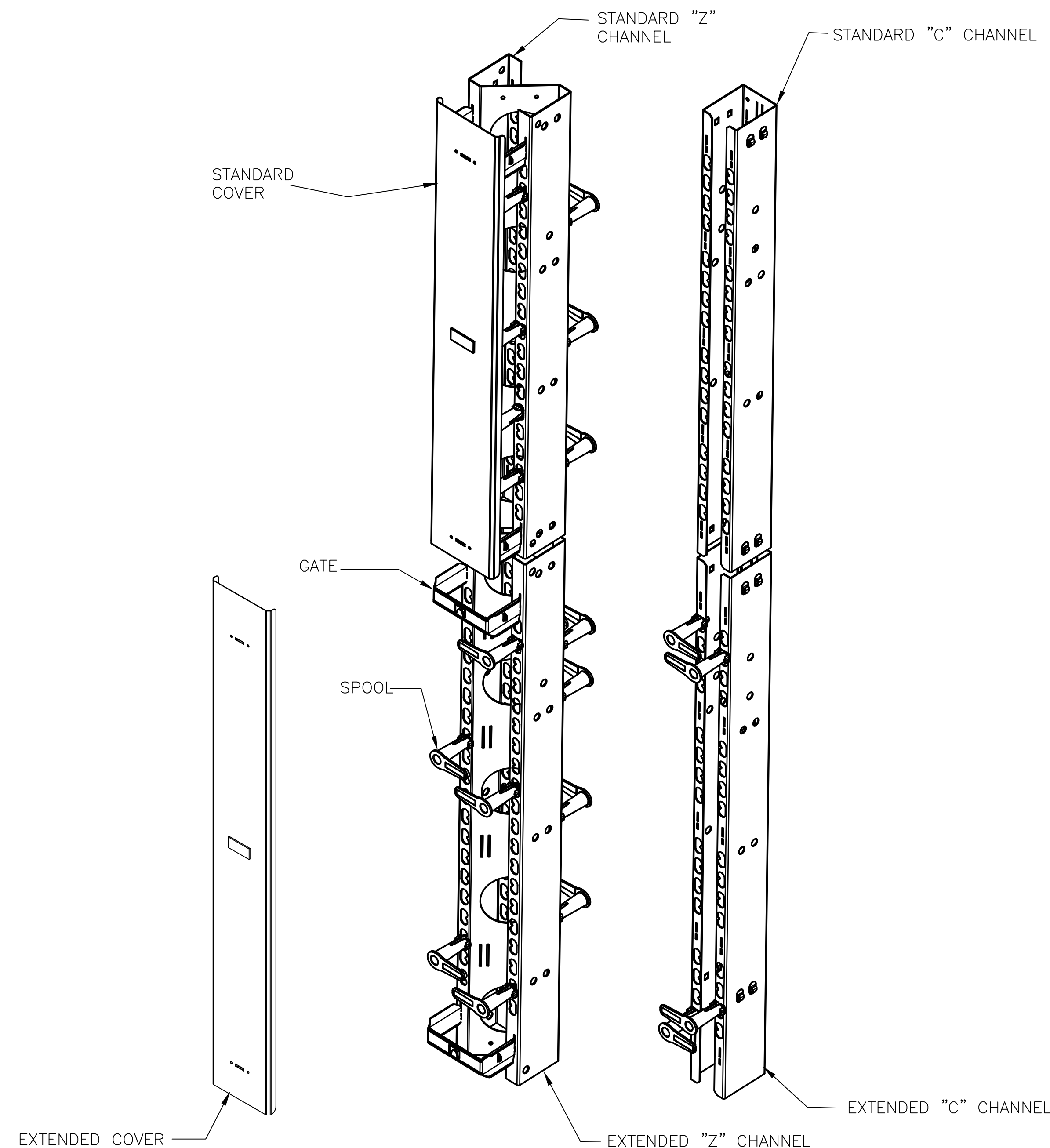
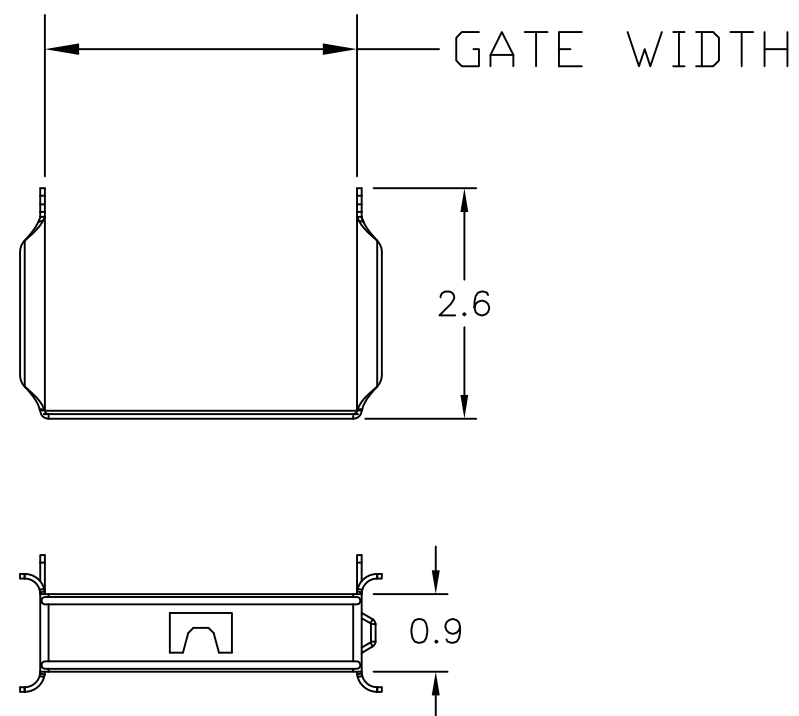
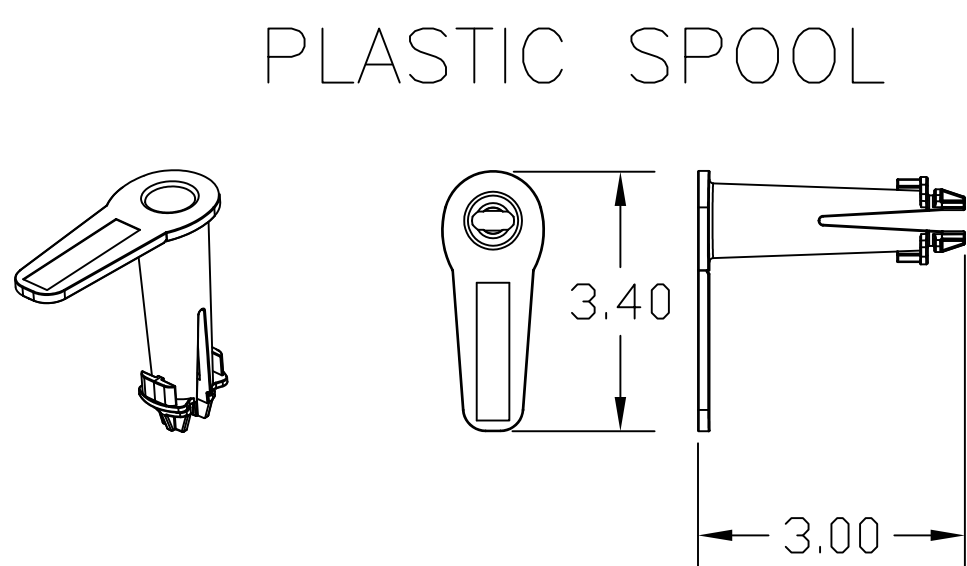
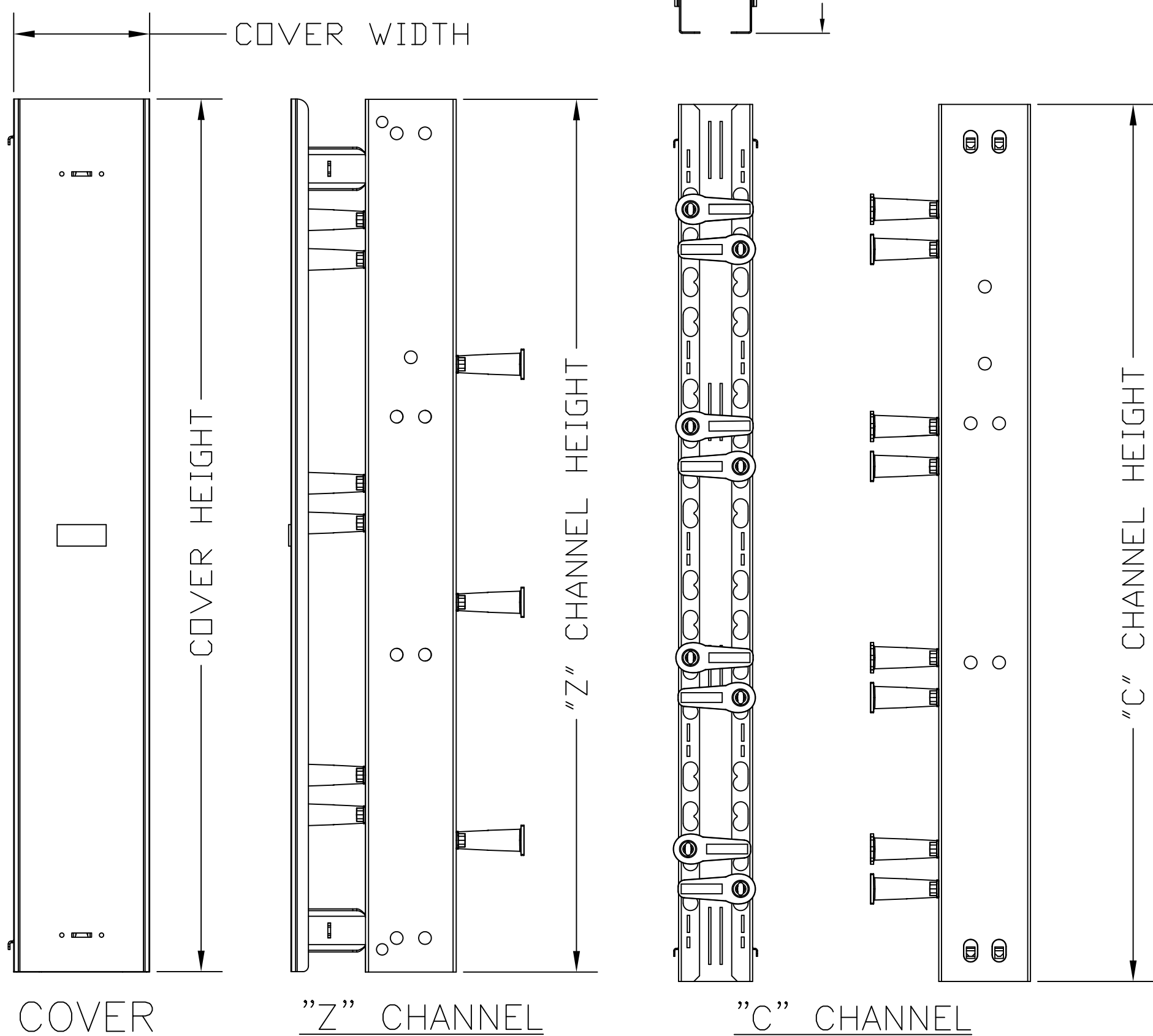


CATALOG NUMBER	DESCRIPTION	STANDARD "Z" CHANNEL	EXTENDED "Z" CHANNEL	STANDARD "C" CHANNEL	EXTENDED "C" CHANNEL	STANDARD COVER	EXTENDED COVER	GATE (QTY)	SPOOL (QTY)	HARDWARE PACK QTY "N"
VS86(A)	8FT H W/ 6" Z CHANNELS, W/COVERS & SPOOLS	1	1	N/A	N/A	1	1	4	24	4
VS83(A)	8FT H W/ 3" C CHANNELS, "NO" COVERS & SPOOLS	N/A	N/A	1	1	N/A	N/A	N/A	24	4
VS76(A)	7FT H W/ 6" Z CHANNELS, W/COVERS & SPOOLS	2	N/A	N/A	N/A	2	N/A	4	24	4
VS74	7FT H W/ 4" Z CHANNELS, "NO" COVERS & SPOOLS	2	N/A	N/A	N/A	N/A	N/A	N/A	24	4
VS73(A)	7FT H W/ 3" C CHANNELS, "NO" COVERS & SPOOLS	N/A	N/A	2	N/A	N/A	N/A	N/A	24	4
VS46(A)	4FT H W/ 6" Z CHANNELS, "NO" COVERS & SPOOLS	1	N/A	N/A	N/A	N/A	N/A	N/A	16	2
VS44(A)	4FT H W/ 4" Z CHANNELS, "NO" COVERS & SPOOLS	1	N/A	N/A	N/A	N/A	N/A	N/A	16	2
VS43(A)	4FT H W/ 3" C CHANNELS, "NO" COVERS & SPOOLS	N/A	N/A	1	N/A	N/A	N/A	N/A	16	2

DESCRIPTION	CHANNEL WIDTH	CHANNEL HEIGHT	COVER WIDTH	COVER HEIGHT	GATE WIDTH
6" STANDARD "Z" CHANNEL	6.00	38.50	N/A	N/A	N/A
6" EXTENDED "Z" CHANNEL	6.00	45.38			
4" STANDARD "Z" CHANNEL	4.50	38.50			
4" EXTENDED "Z" CHANNEL	4.50	45.38			
3" STANDARD "C" CHANNEL	3.20	38.50			
3" EXTENDED "C" CHANNEL	3.20	45.38			
6" STANDARD COVER	N/A	N/A	6.00	38.50	N/A
6" EXTENDED COVER			6.00	45.38	
4" STANDARD COVER			4.50	38.50	
4" EXTENDED COVER			4.50	45.38	
3" STANDARD COVER			3.20	38.50	
3" EXTENDED COVER			3.20	45.38	
6" GATE			N/A	N/A	5.00
4" GATE					3.50
3" GATE					2.30



- NOTE:
- STANDARD SURFACE FINISH: BLACK POWDER COAT. ADD (A) FOR SILVER POWDER COAT.
 - UL 1863 LISTED
 - EACH UNIT INCLUDES A HARDWARE PACK: (SEE TABULATION FOR QTY)
 - (N) 1/2-13 X 1" HEX HEAD BOLT
 - (N) 1/2-13 HEX NUT
 - (N) 1/2" LOCK WASHER

REV.	ECN	DATE	DESCRIPTION	CHG BY	APPD BY
B	19462	09/04/14	UPDATED CHANNELS & SPOOLS PICTORIALY, REVISED TABLE	JJRJ	

Created on AUTOCAD	DIMENSIONING AND TOLERANCE PER ANSI Y14.5M-1982 UNLESS OTHERWISE SPECIFIED, DIMENSIONS ARE IN INCHES (MM). TOLERANCES: .X = ±.03 (.8) .XX = ±.02 (.4) .XXX = ±.01 (.25) ANGLE TOL ±1°	PROJECT REFERENCE:	Hubbell Premise Wiring HUBBELL INCORPORATED (Delaware) 14 Lord's Hill Road, Stonington, Connecticut 06378
	IN ACCEPTING OUR DRAWINGS, BLUEPRINTS, OR SUPPORTING DOCUMENTATION FOR QUOTATION OR OTHER PURPOSES, YOU AGREE NOT TO DISCLOSE TO OTHERS THE IDEAS, INFORMATION, OR DESIGNS SHOWN HEREIN, AND THAT YOU WILL MAKE NO USE OF SAME WITHOUT PERMISSION	MATERIAL:	
		DRAWN BY: N. RICHARDS 05/30/06	SIZE: D
		CHECKED BY:	DRAWING NO. HWS12162C
		APPROVED BY:	SCALE: N/A
			SHEET 1 OF 1