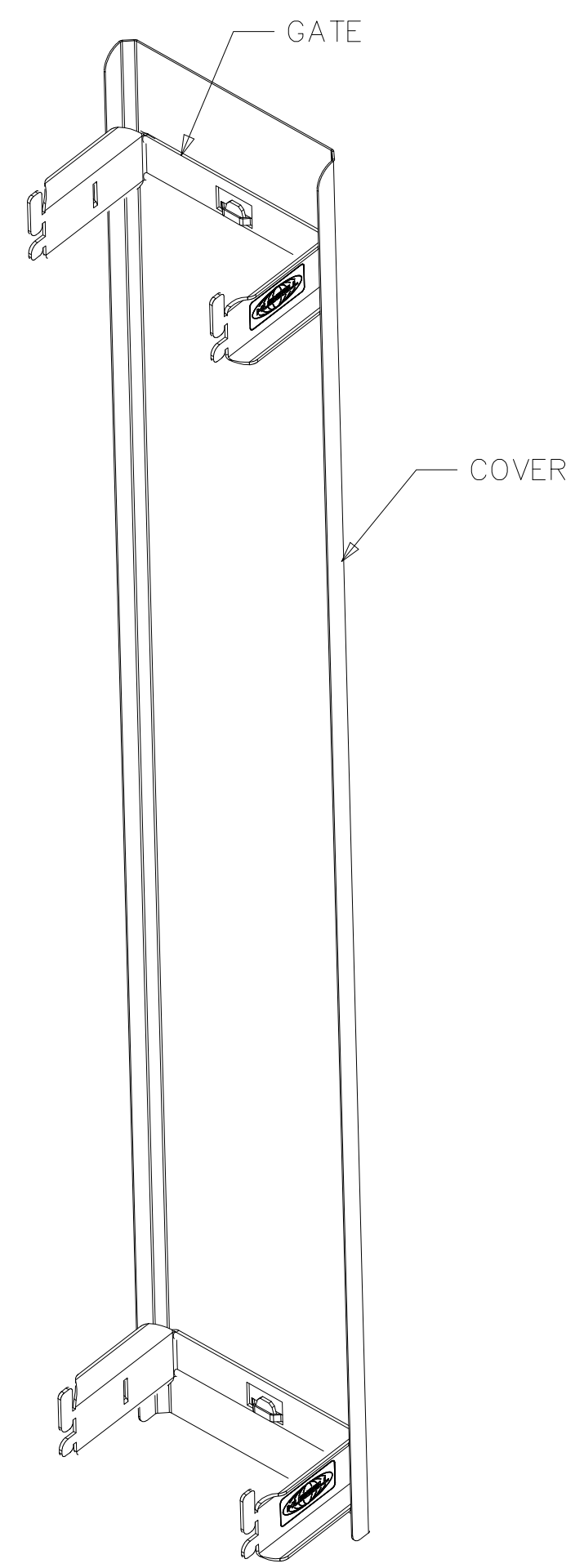
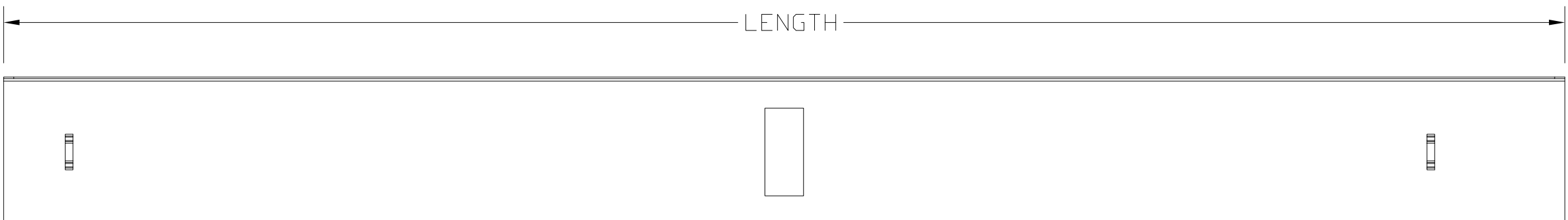
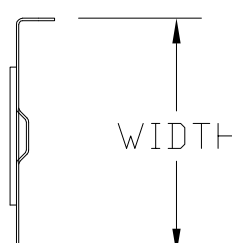
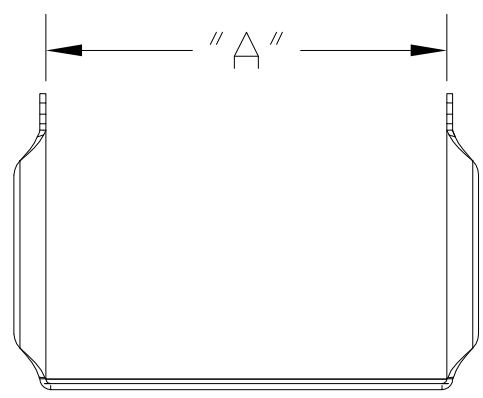
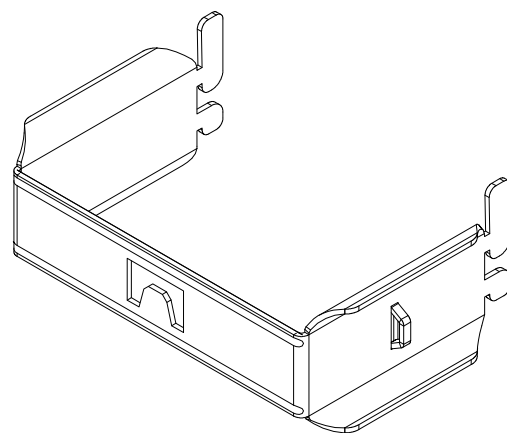


COVER						
CATALOG NUMBER	DESCRIPTION	WIDTH	LENGTH	GATE (QTY 2)	DIMENSION "A"	
VSC3	3" WIDE VERT. CHANNEL COVER BLACK	3.69	38.50	3" GATE	2.28	
VSC3A	3" WIDE VERT. CHANNEL COVER ALUMINUM	3.69	38.50	3" GATE	2.28	
VSC4	4" WIDE VERT. CHANNEL COVER BLACK	4.50	38.50	4" GATE	3.46	
VSC4A	4" WIDE VERT. CHANNEL COVER ALUMINUM	4.50	38.50	4" GATE	3.46	
VSC6	6" WIDE VERT. CHANNEL COVER BLACK	6.00	38.50	6" GATE	5.02	
VSC6A	6" WIDE VERT. CHANNEL COVER ALUMINUM	6.00	38.50	6" GATE	5.02	
VSC6L	6" WIDE EXTENDED VERT. CHANNEL COVER, BLACK	6.00	45.38	6" GATE	5.02	
VSC6LA	6" WIDE EXTENDED VERT. CHANNEL COVER, ALUMINUM	6.00	45.38	6" GATE	5.02	
VSC3LA	3" WIDE EXTENDED VERT. CHANNEL COVER, ALUMINUM	3.69	45.38	3" GATE	2.28	
VSC3L	3" WIDE EXTENDED VERT. CHANNEL COVER, BLACK	3.69	45.38	3" GATE	2.28	



- NOTES:
1. SURFACE FINISH: POWDER COAT (SEE TABULATION).
 2. KIT CONTAINS: (1) COVER, (2) GATES
 3. SPECIFICATIONS SUBJECT TO CHANGE WITHOUT NOTICE.

REV.	ECN	DATE	DESCRIPTION	CHG BY	APPD BY
C	5846	06/23/06	ADDED CATALOG VSC3L - BLACK	NJR	
B	5890	06/23/06	REVISED 3" COVERS	NJR	MMA
A	5523	05/26/06	INITIAL RELEASE	NJR	MMA

Created on AUTOCAD

DIMENSIONING AND TOLERANCING PER
ANSI Y14.5M-1982
UNLESS OTHERWISE SPECIFIED,
DIMENSIONS ARE IN INCHES [MM].
TOLERANCES
.X = ±0.3 [.8]
.XX = ±0.2 [.4]
.XXX = ±0.1 [.25]
ANGLE TOL ±1°

IN ACCEPTING OUR DRAWINGS,
BLUEPRINTS, OR SUPPORTING
DOCUMENTATION FOR QUOTATION
OR OTHER PURPOSES, YOU AGREE
NOT TO DISCLOSE TO OTHERS
THE IDEAS, INFORMATION, OR
DESIGNS SHOWN HEREIN, AND
THAT YOU WILL MAKE NO USE
OF SAME WITHOUT PERMISSION.

PROJECT REFERENCE:

MATERIAL:
COVER: 20 GA. C.R.S.
GATE: 14 GA. C.R.S.

DRAWN BY:
NJR 05/26/06

CHECKED BY:

APPROVED BY:

Hubbell Premise Wiring
HUBBELL INCORPORATED (Delaware)
14 Lord's Hill Road, Stonington, Connecticut 06378

TITLE: CABLE MANAGEMENT VERTICAL CHANNEL COVER KIT

SIZE: C	DRAWING NO. HWS12224C	REV. C
SCALE: N/A	SHEET OF 1	