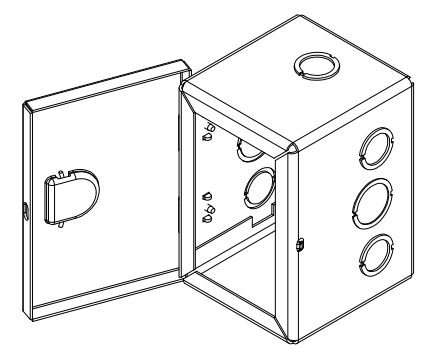
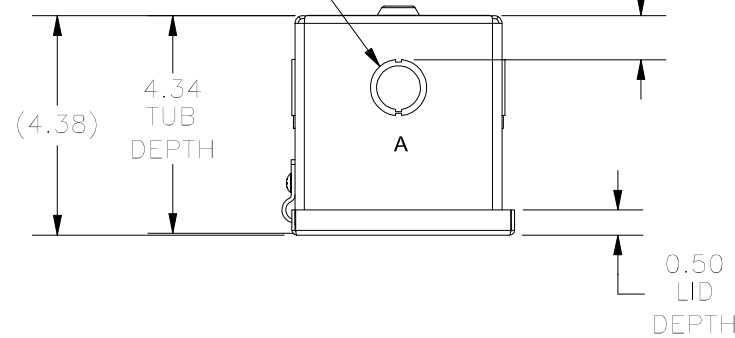


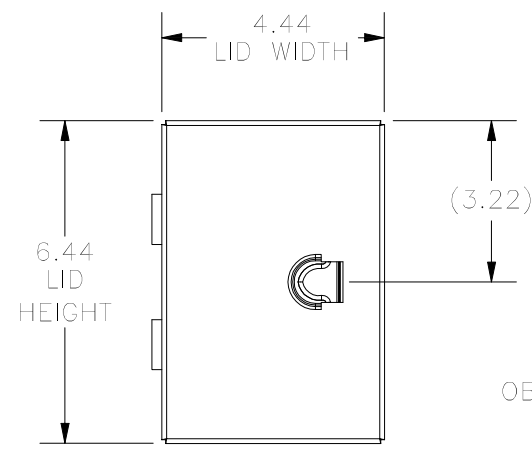
TOP KO DIMENSIONS ARE IDENTICAL TO BOTTOM KO DIMENSIONS

0.88 TYP. FOR ALL FOUR SIDES



8-32X3/8" TRUSS HEAD SCREW AND HINGE CLIP (2 PL.)

TOP VIEW

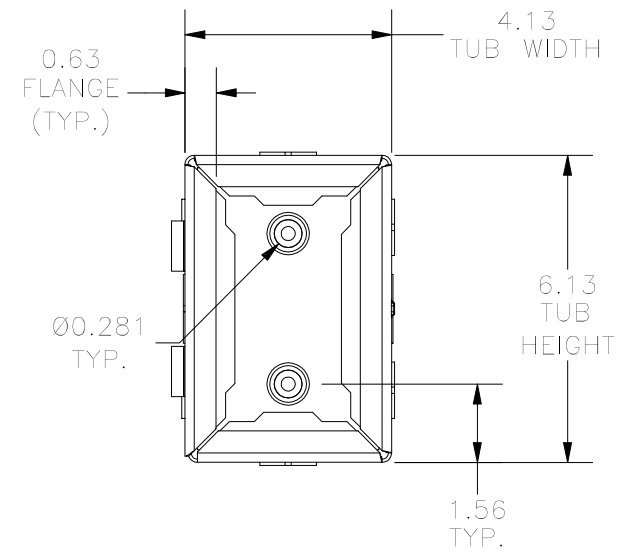


RIGHT SIDE KO DIMENSIONS ARE IDENTICAL TO LEFT SIDE KO DIMENSIONS

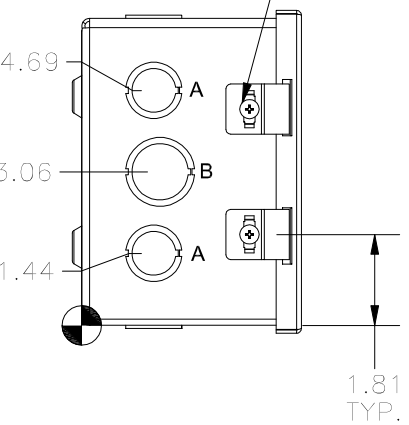
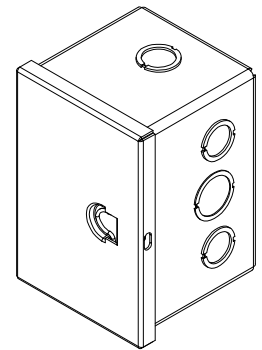
MOUNTING HOLE EMBOSS (2 PL.)

OBROUND CUTOUT AND TAB FOR LATCHING DOOR

RIGHT SIDE VIEW

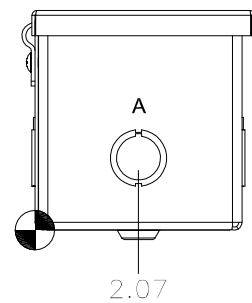


FRONT VIEW LID REMOVED



LEFT SIDE VIEW

FRONT VIEW



BOTTOM VIEW

KNOCKOUT TABLE	
SIZE	DESCRIPTION
A	1/2" TO 3/4"
B	3/4 TO 1"

PART#: A040604

(DATA SUBJECT TO CHANGE WITHOUT NOTICE)

THIS DRAWING IS PROPERTY OF HUBBELL INC. WIEGMANN
ALL INFORMATION IS PROPRIETARY AND NOT TO BE DUPLICATED