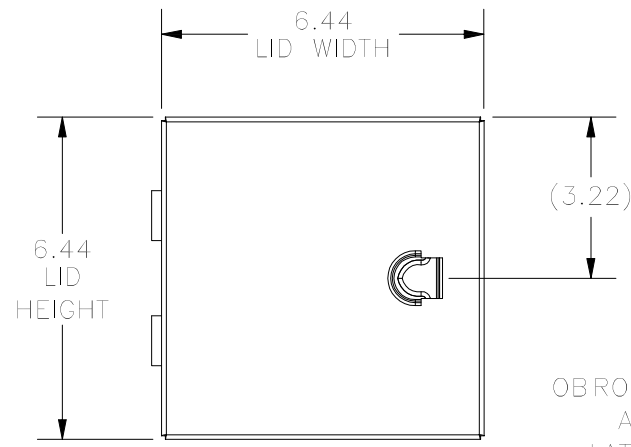


8-32X3/8" TRUSS HEAD SCREW AND HINGE CLIP (2 PL.)

TOP VIEW



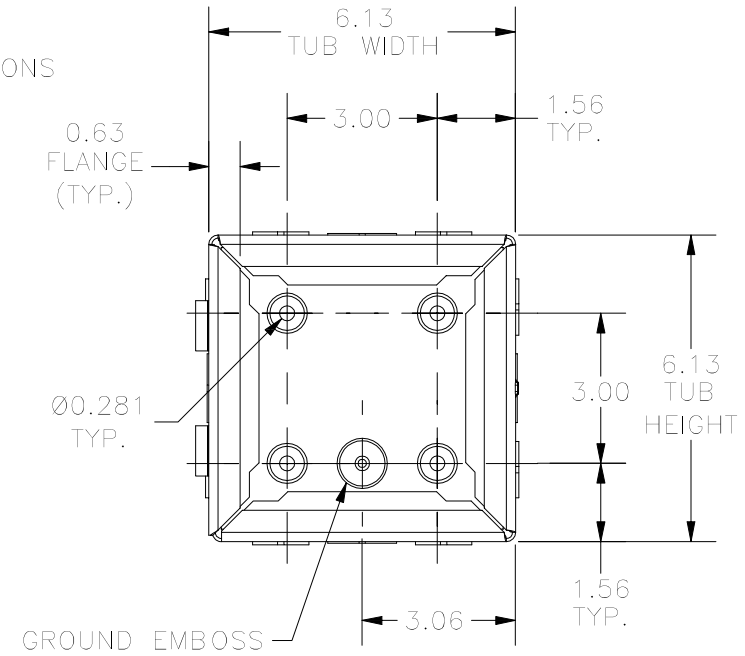
FRONT VIEW

RIGHT SIDE KO DIMENSIONS ARE IDENTICAL TO LEFT SIDE KO DIMENSIONS

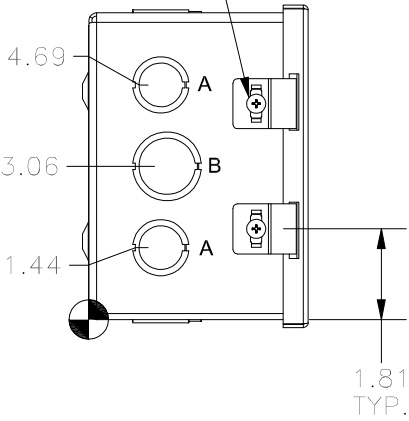
MOUNTING HOLE EMBOSS (4 PL.)

OBROUND CUTOUT AND TAB FOR LATCHING DOOR

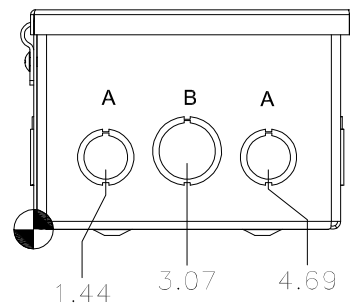
RIGHT SIDE VIEW



FRONT VIEW LID REMOVED



LEFT SIDE VIEW



BOTTOM VIEW

KNOCKOUT TABLE	
SIZE	DESCRIPTION
A	1/2" TO 3/4"
B	3/4 TO 1"

PART#: A060604

(DATA SUBJECT TO CHANGE WITHOUT NOTICE)

THIS DRAWING IS PROPERTY OF HUBBELL INC. WIEGMANN
ALL INFORMATION IS PROPRIETARY AND NOT TO BE DUPLICATED