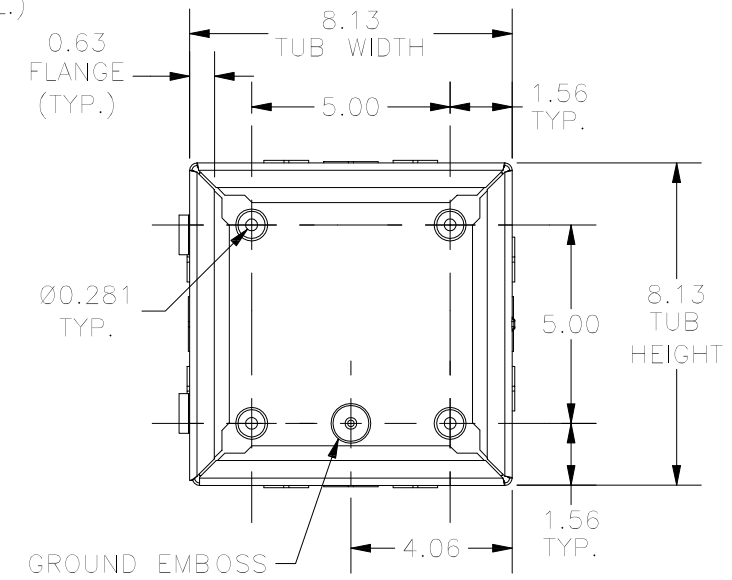
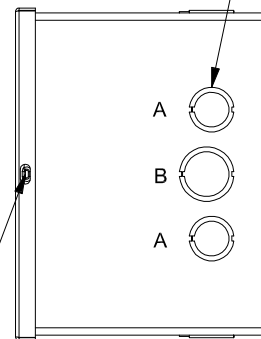


RIGHT SIDE KO DIMENSIONS ARE IDENTICAL TO LEFT SIDE KO DIMENSIONS

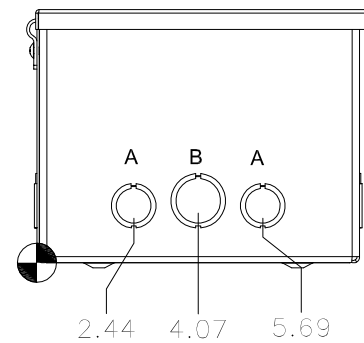
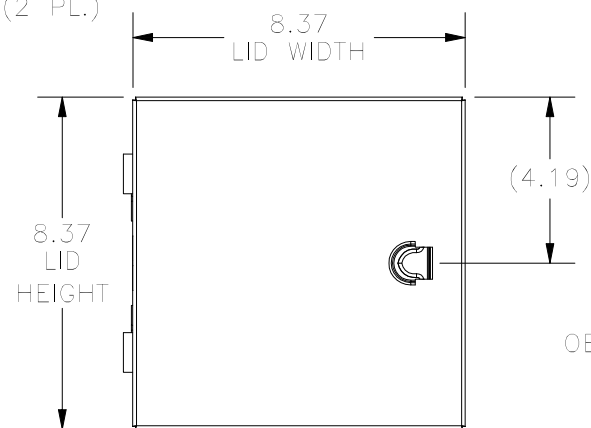
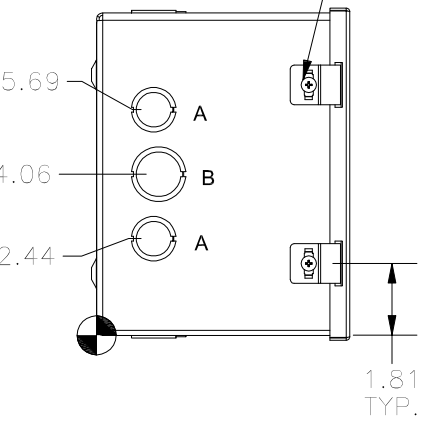
MOUNTING HOLE EMBOSS (4 PL.)



OBROUND CUTOUT AND TAB FOR LATCHING DOOR



8-32X3/8" TRUSS HEAD SCREW AND HINGE CLIP (2 PL.)



KNOCKOUT TABLE	
SIZE	DESCRIPTION
A	1/2" TO 3/4"
B	3/4 TO 1"

PART#: A080806

(DATA SUBJECT TO CHANGE WITHOUT NOTICE)

THIS DRAWING IS PROPERTY OF HUBBELL INC. WIEGMANN  
ALL INFORMATION IS PROPRIETARY AND NOT TO BE DUPLICATED