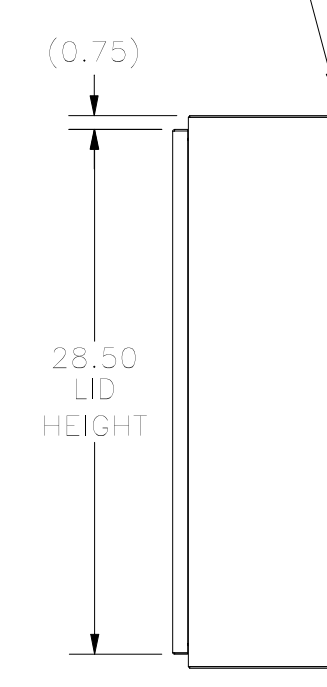
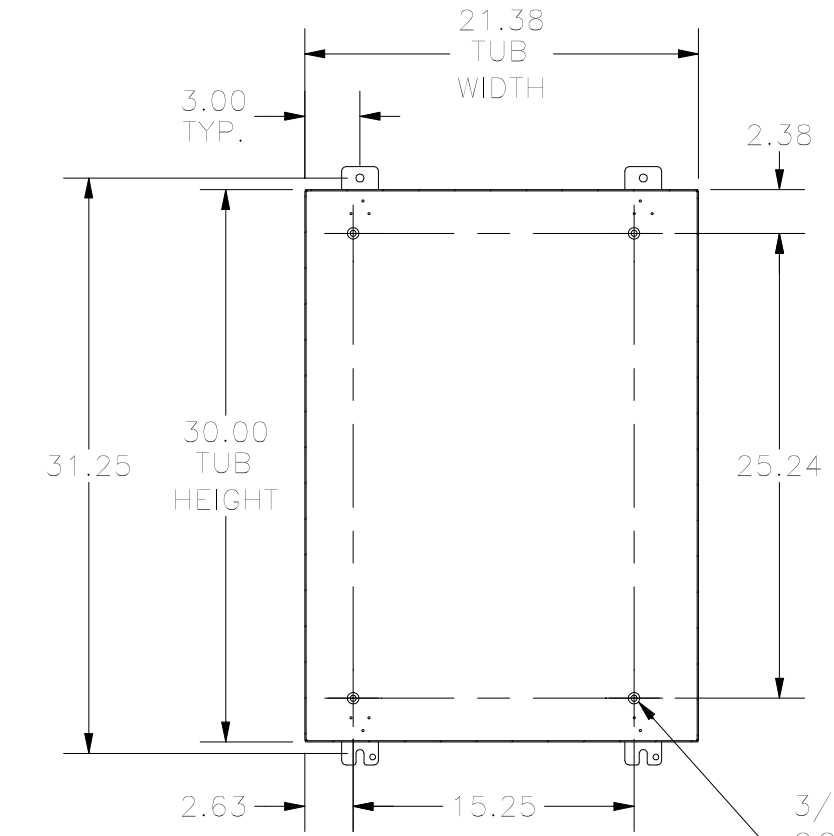


**TOP VIEW**

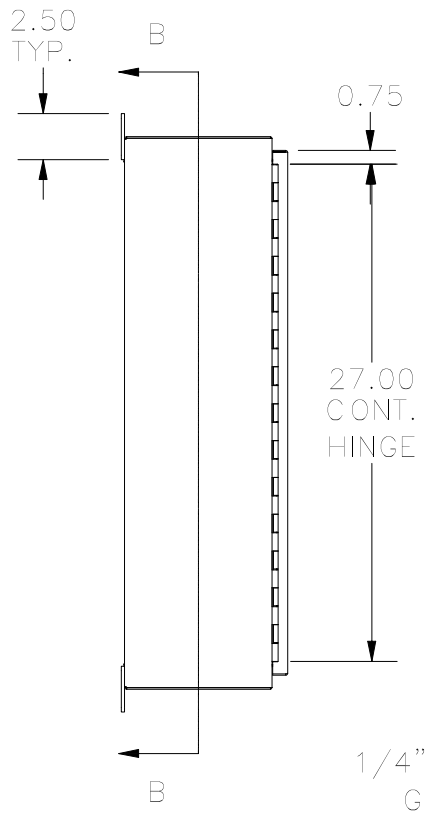
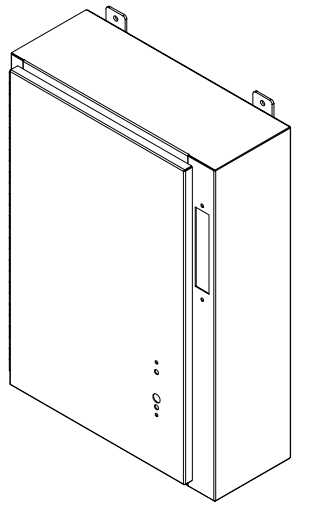
7 GA. WELD ON MOUNTING FOOT



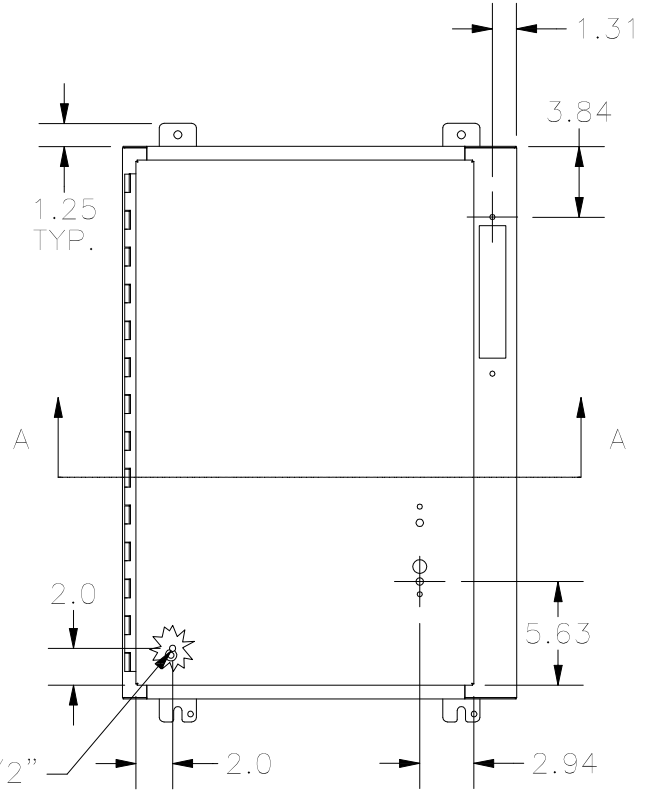
**RIGHT SIDE VIEW**



**SECTION B-B  
(INSIDE BACK OF ENCLOSURE)**

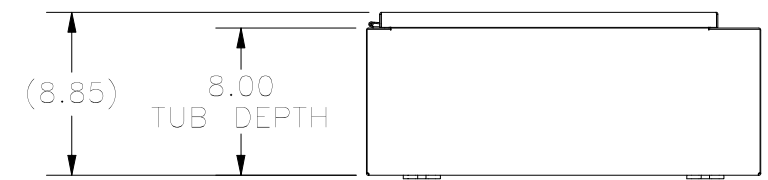


**LEFT SIDE VIEW**

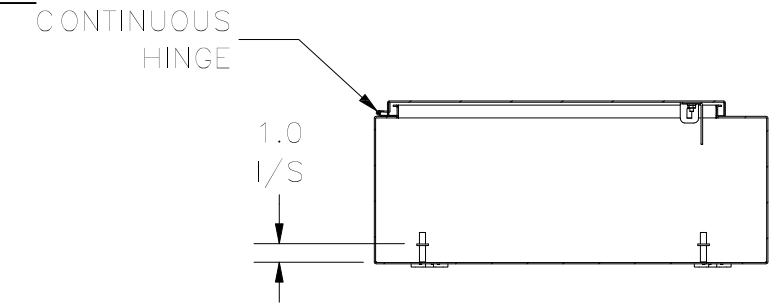


**FRONT VIEW**

1/4"-20 X 1/2" GROUND STUD



**BOTTOM VIEW**



**SECTION A-A  
(INSIDE TOP OF ENCLOSURE)**

PART#: ABN12302108  
(DATA SUBJECT TO CHANGE WITHOUT NOTICE)

THIS DRAWING IS PROPERTY OF HUBBELL INC. WIEGMANN  
ALL INFORMATION IS PROPRIETARY AND NOT TO BE DUPLICATED