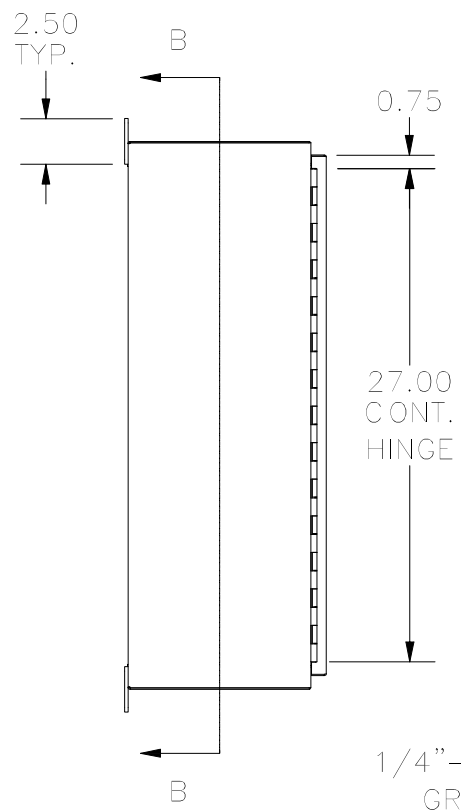
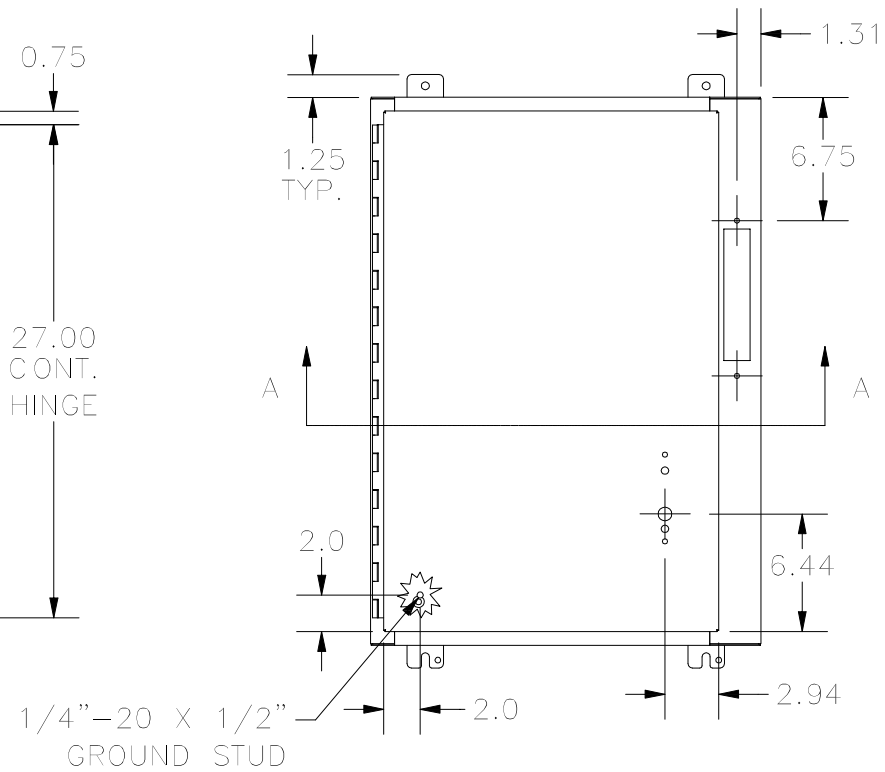


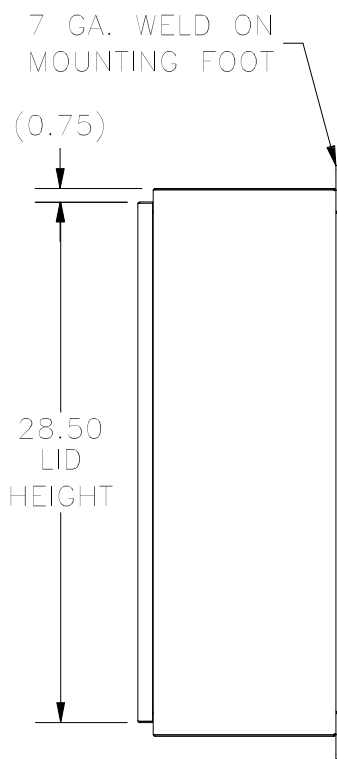
TOP VIEW



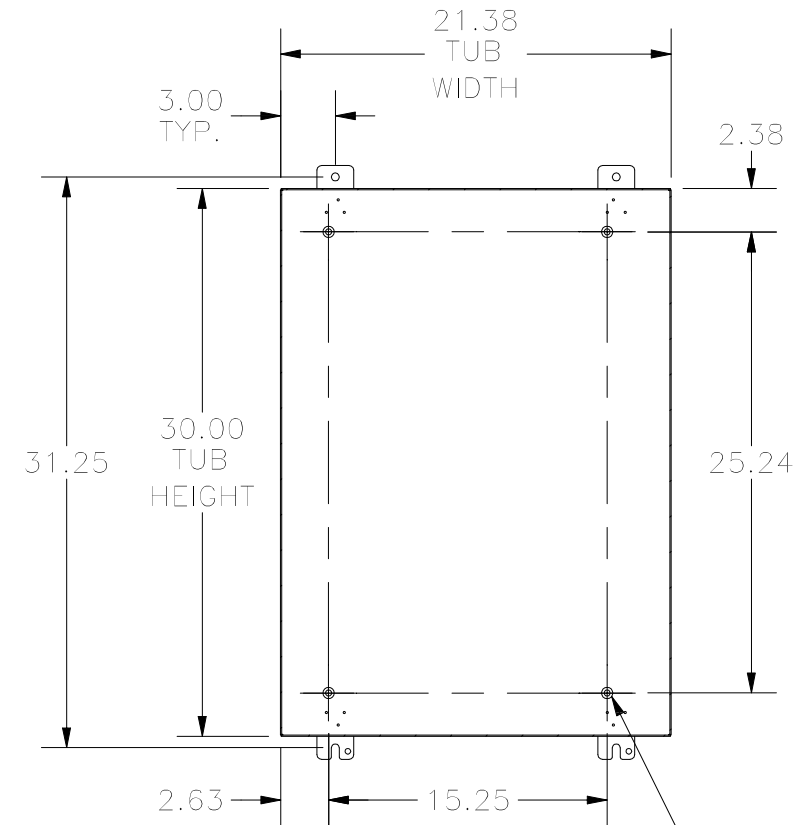
LEFT SIDE VIEW



FRONT VIEW

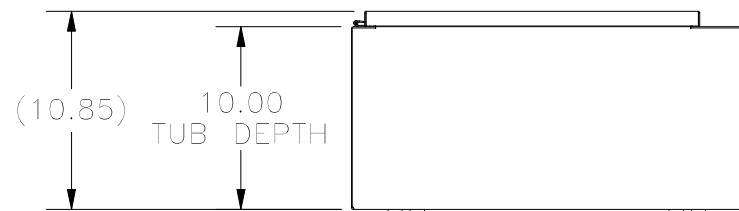


RIGHT SIDE VIEW

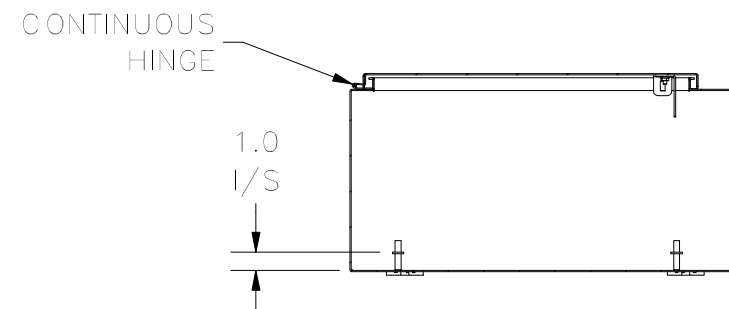


**SECTION B-B
(INSIDE BACK OF ENCLOSURE)**

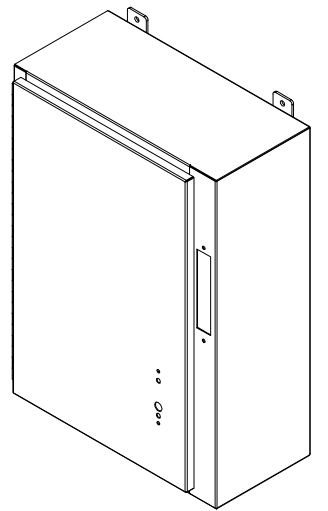
3/8"-16 X 5/8"
COLLAR STUD
(4 PL.)



BOTTOM VIEW



**SECTION A-A
(INSIDE TOP OF ENCLOSURE)**



PART#: ABN12302110
(DATA SUBJECT TO CHANGE WITHOUT NOTICE)

THIS DRAWING IS PROPERTY OF HUBBELL INC. WIEGMANN
ALL INFORMATION IS PROPRIETARY AND NOT TO BE DUPLICATED