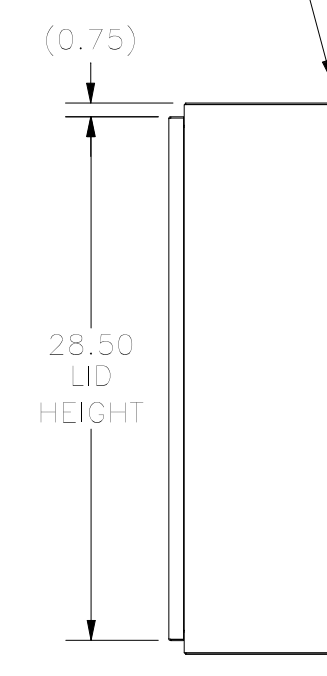
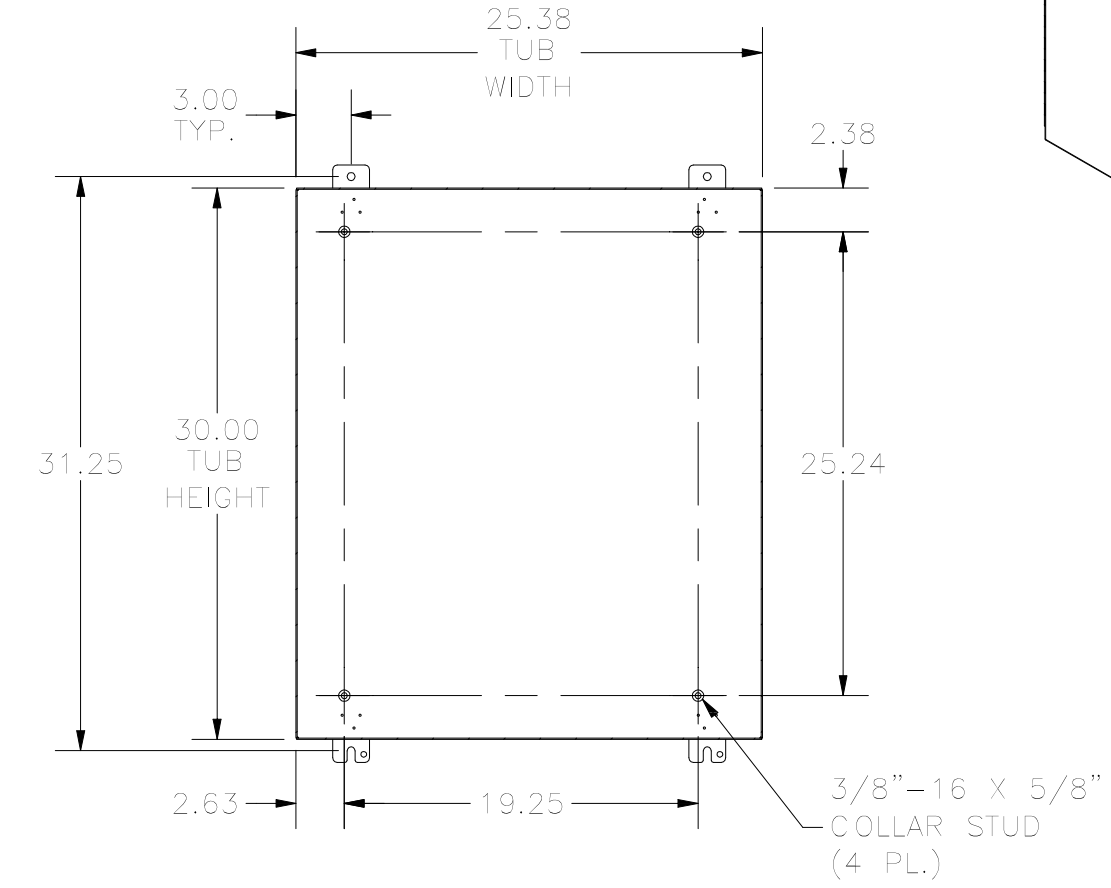


TOP VIEW

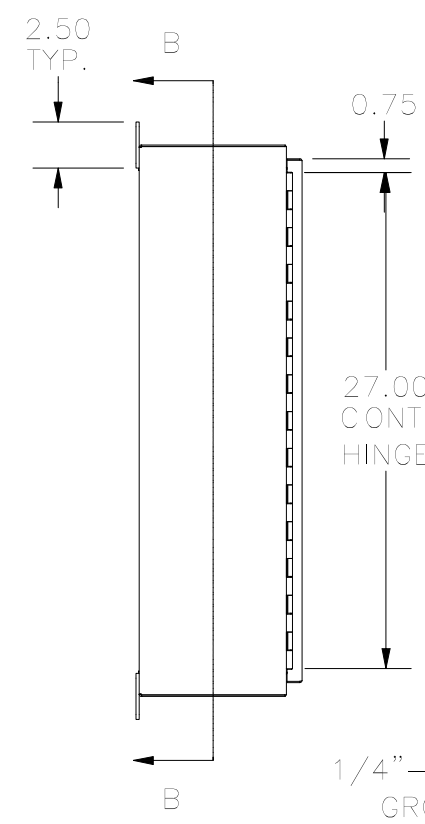
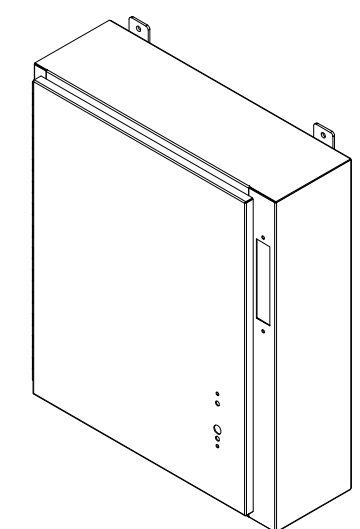
7 GA. WELD ON MOUNTING FOOT



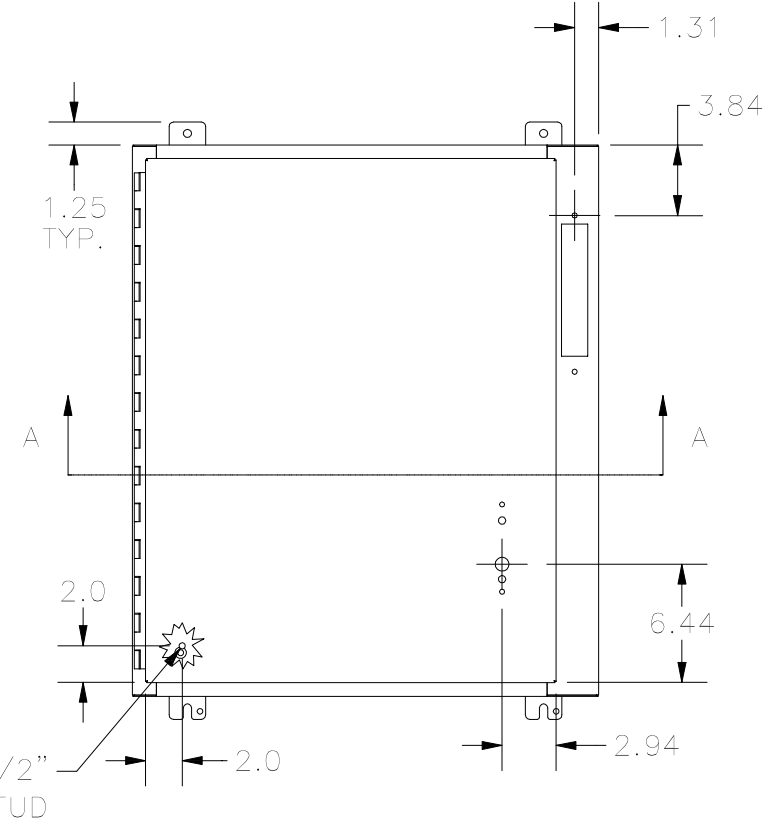
RIGHT SIDE VIEW



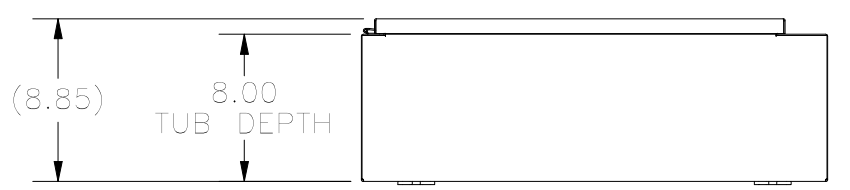
**SECTION B-B
(INSIDE BACK OF ENCLOSURE)**



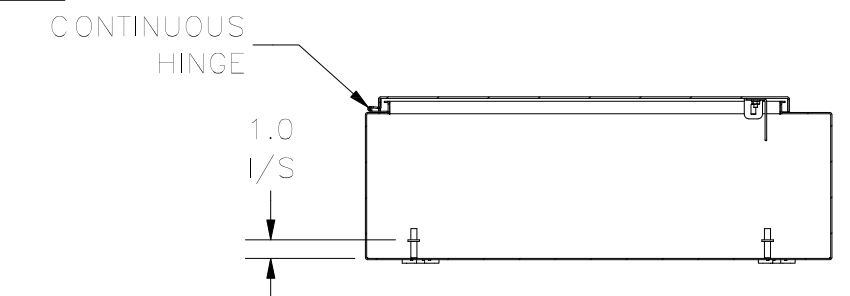
LEFT SIDE VIEW



FRONT VIEW



BOTTOM VIEW



**SECTION A-A
(INSIDE TOP OF ENCLOSURE)**

PART#: ABN12302508
(DATA SUBJECT TO CHANGE WITHOUT NOTICE)

THIS DRAWING IS PROPERTY OF HUBBELL INC. WIEGMANN
ALL INFORMATION IS PROPRIETARY AND NOT TO BE DUPLICATED