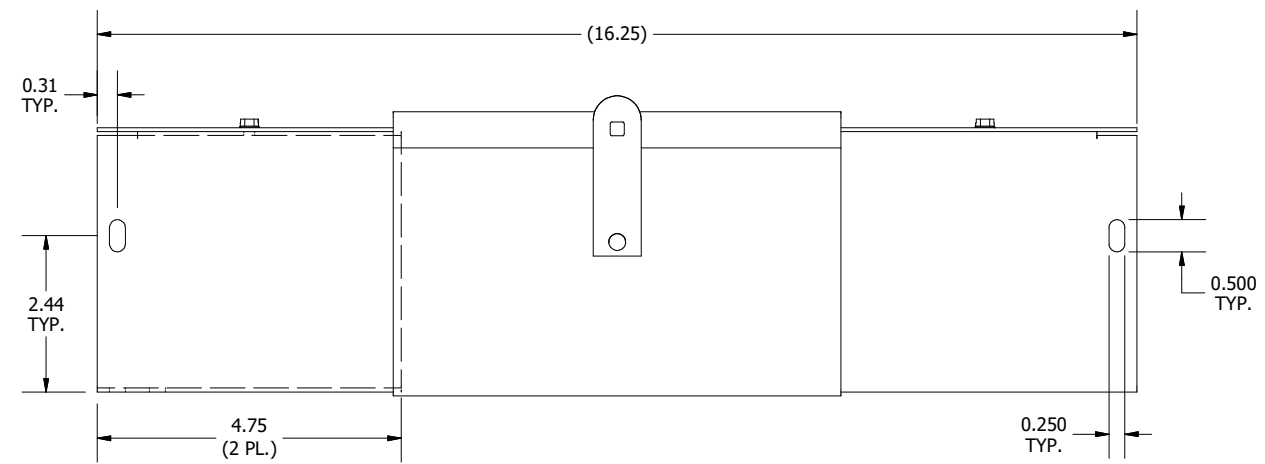
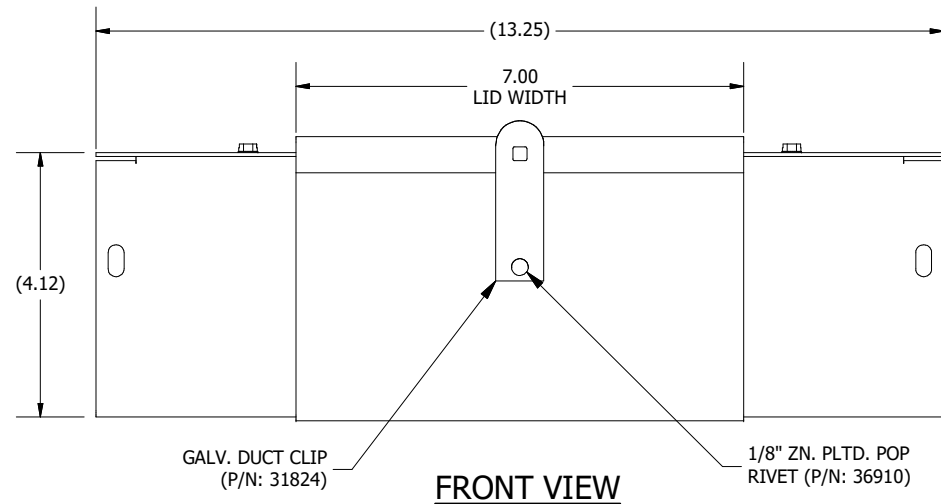


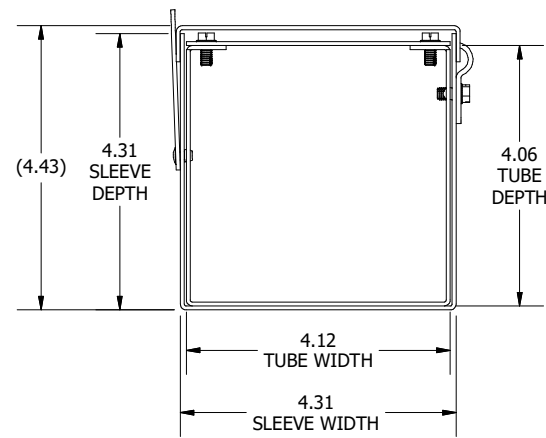
TOP VIEW



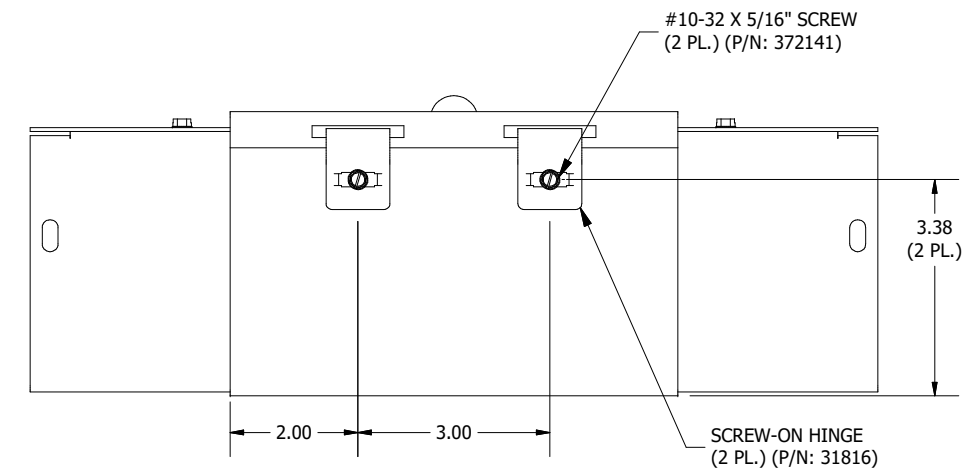
FRONT VIEW, FULLY EXTENDED VIEW



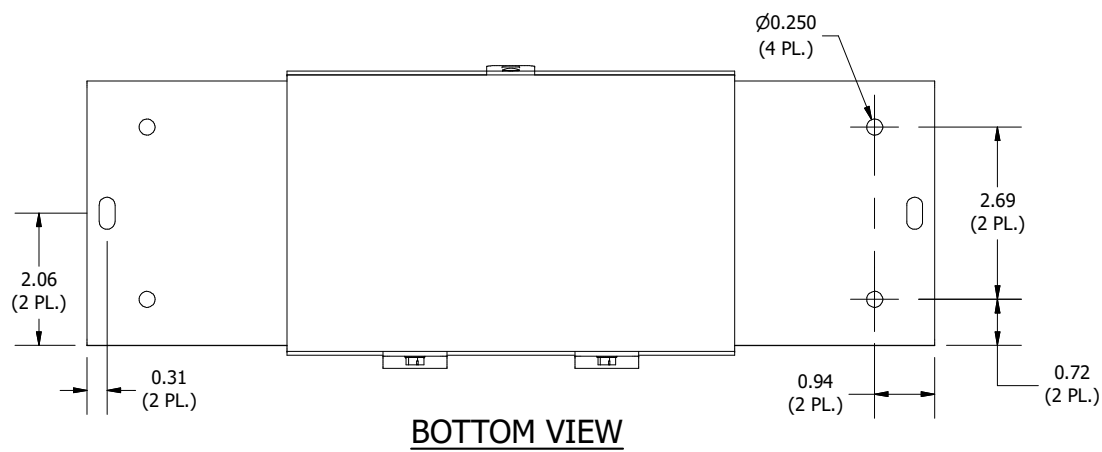
FRONT VIEW



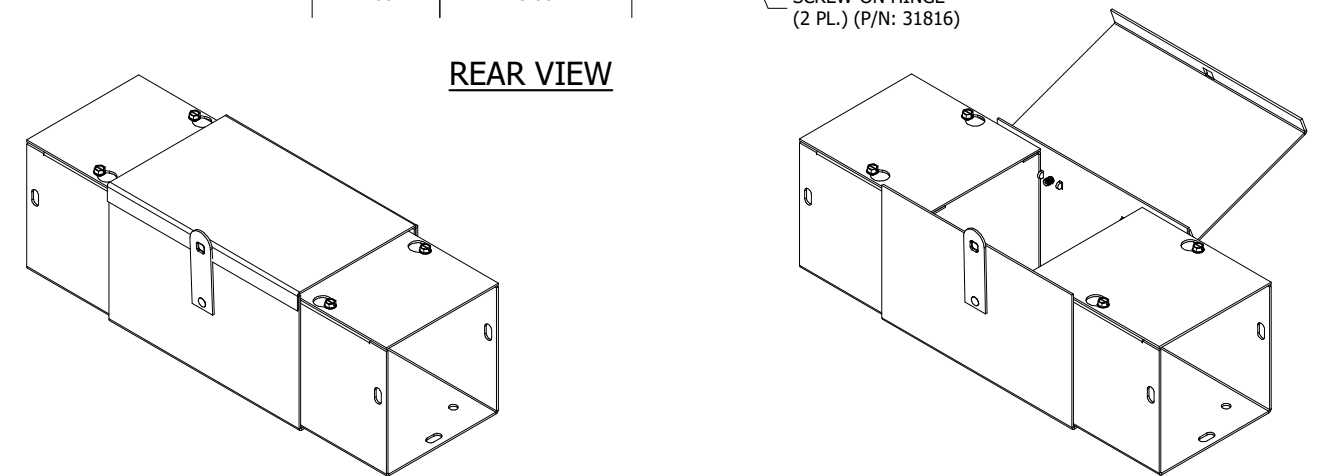
SIDE VIEW



REAR VIEW



BOTTOM VIEW



PART#: AF0404G
(DATA SUBJECT TO CHANGE WITHOUT NOTICE)

THIS DRAWING IS PROPERTY OF HUBBELL INC. WIEGMANN
 ALL INFORMATION IS PROPRIETARY AND NOT TO BE DUPLICATED