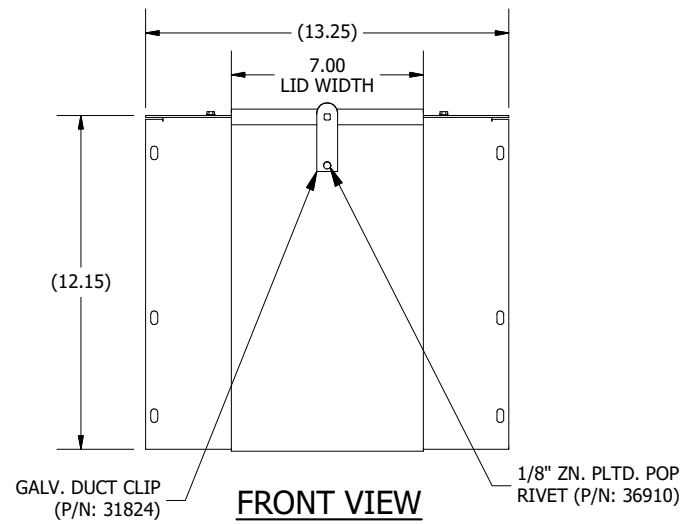
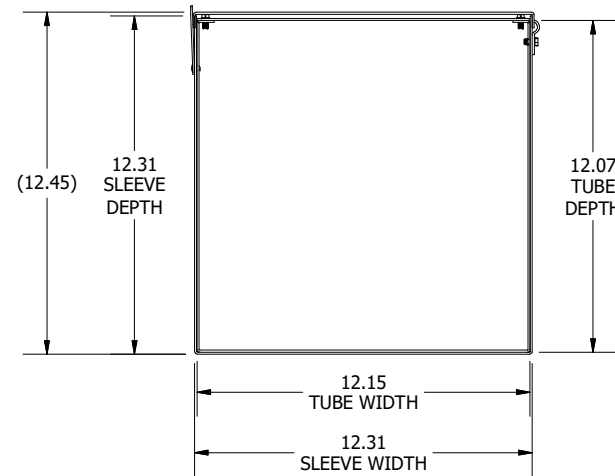


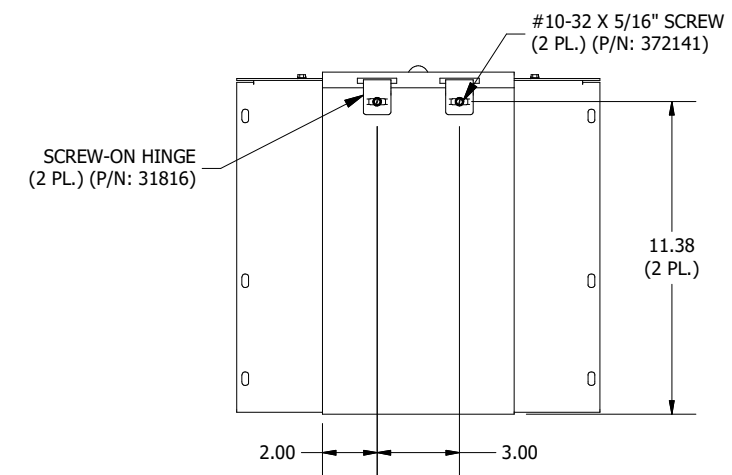
FRONT VIEW, FULLY EXTENDED VIEW



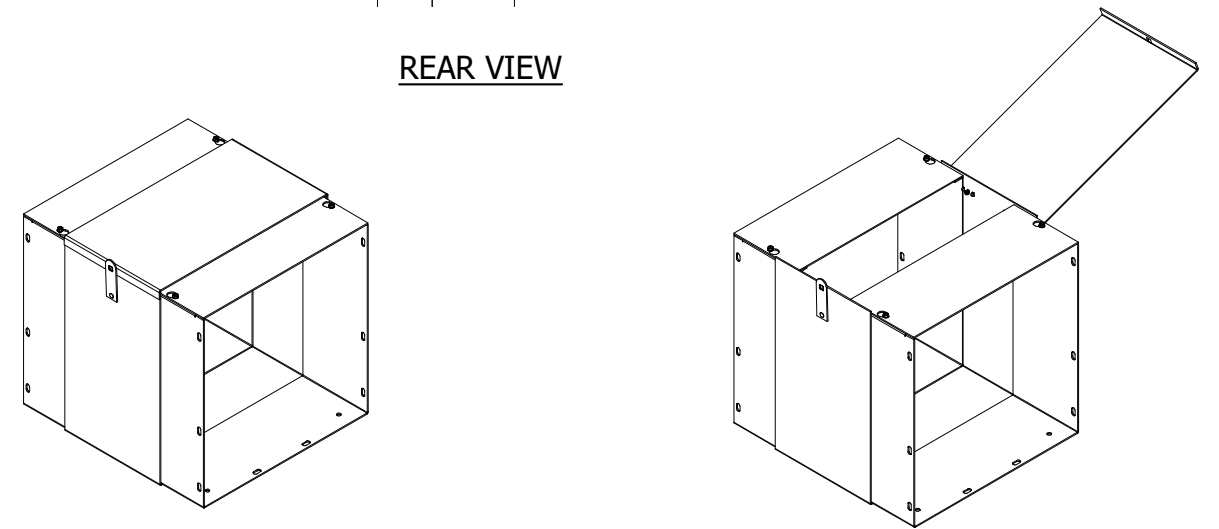
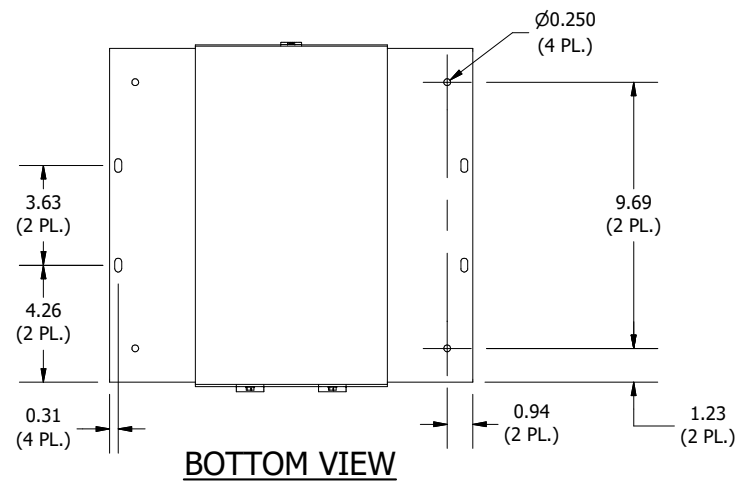
FRONT VIEW



SIDE VIEW



REAR VIEW



PART#: AF1212G
(DATA SUBJECT TO CHANGE WITHOUT NOTICE)

THIS DRAWING IS PROPERTY OF HUBBELL INC. WIEGMANN
 ALL INFORMATION IS PROPRIETARY AND NOT TO BE DUPLICATED