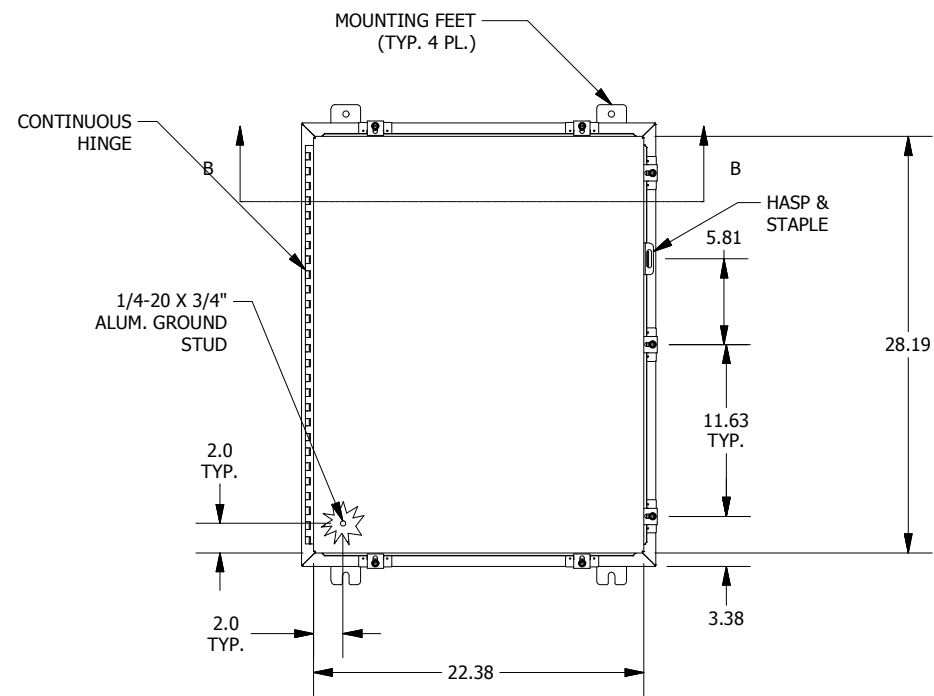
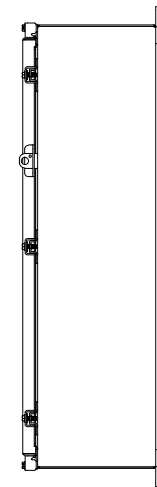


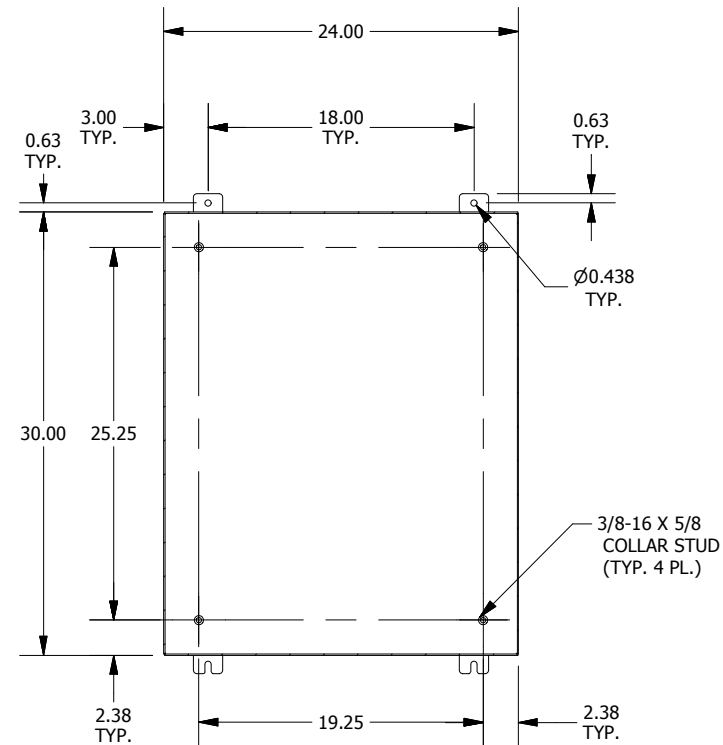
**LEFT SIDE**



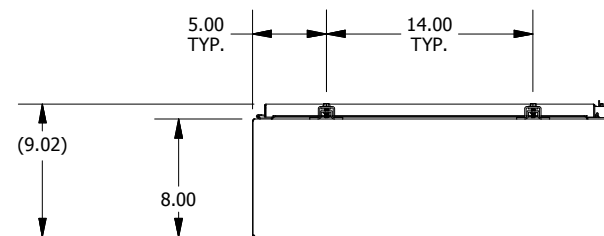
**FRONT VIEW**



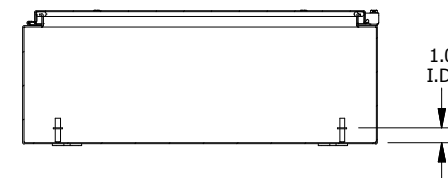
**RIGHT VIEW**



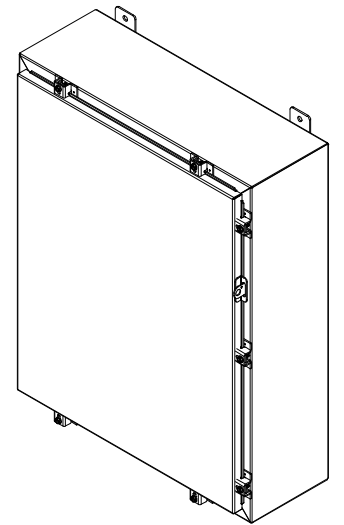
**SECTION A-A**



**BOTTOM VIEW**



**SECTION B-B**



PART #:ALN4302408  
 (DATA SUBJECT TO CHANGE WITHOUT NOTICE)  
 THIS DRAWING IS THE PROPERTY OF HUBBELL INC. WIEGMANN  
 ALL INFORMATION IS PROPRIETARY AND NOT TO BE DUPLICATED