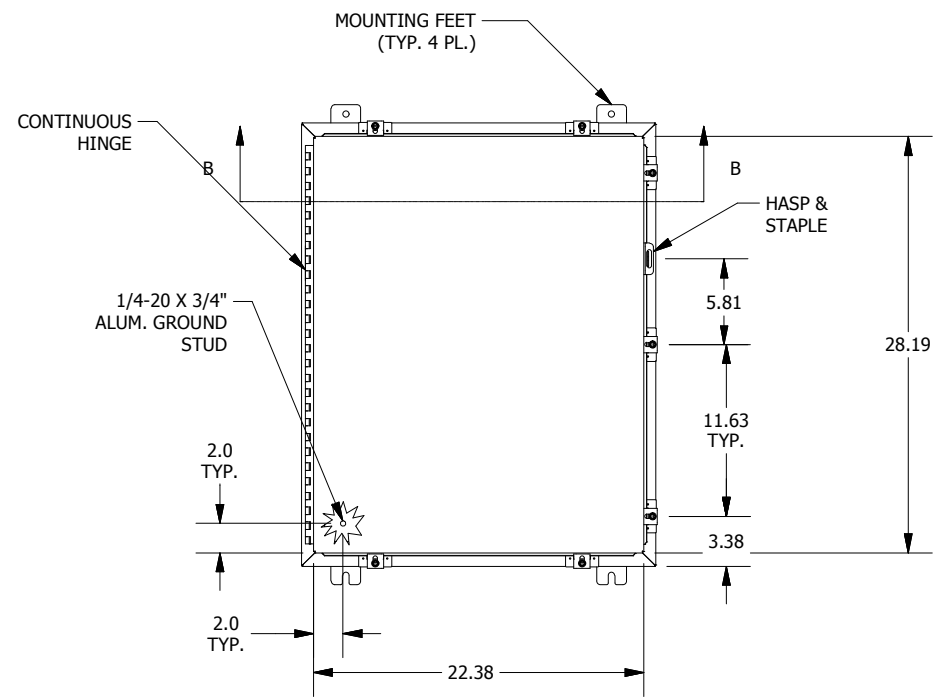
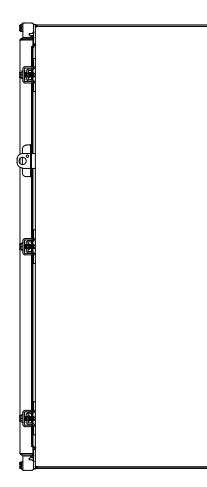


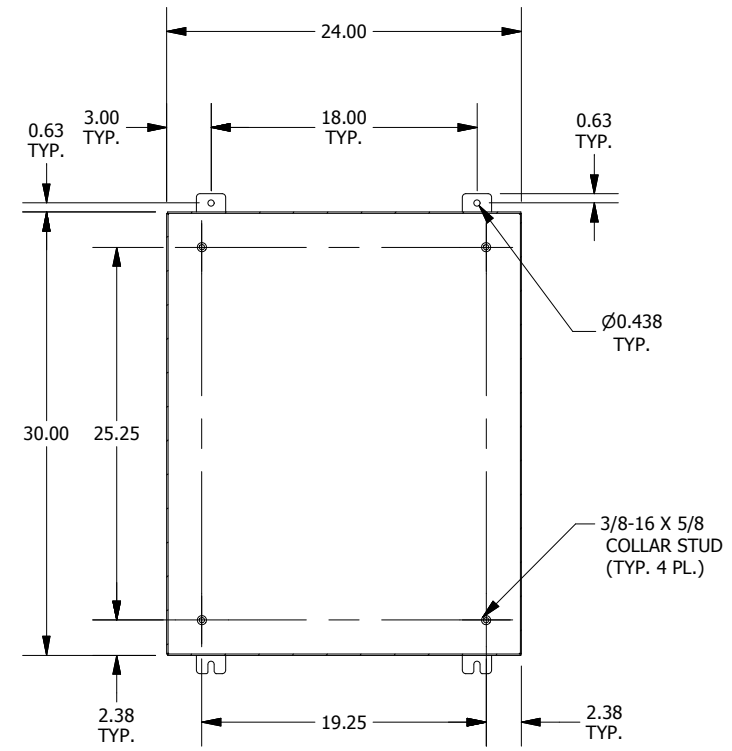
LEFT SIDE



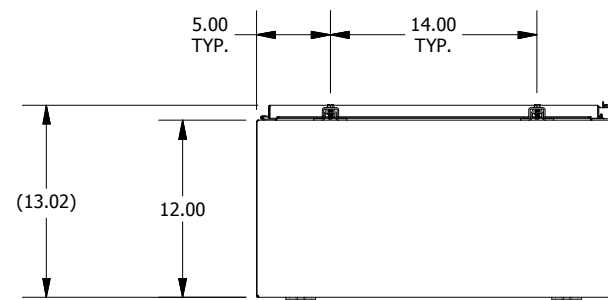
FRONT VIEW



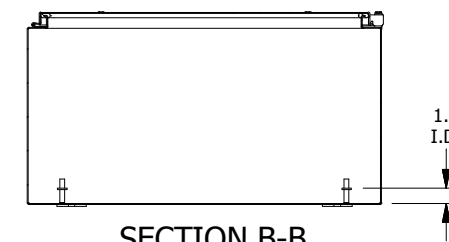
RIGHT VIEW



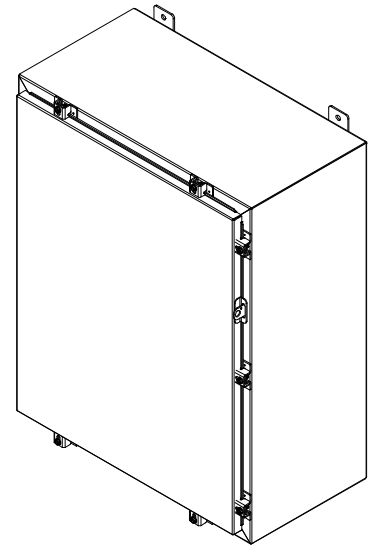
SECTION A-A



BOTTOM VIEW



SECTION B-B



PART #:ALN4302412
 (DATA SUBJECT TO CHANGE WITHOUT NOTICE)
 THIS DRAWING IS THE PROPERTY OF HUBBELL INC. WIEGMANN
 ALL INFORMATION IS PROPRIETARY AND NOT TO BE DUPLICATED