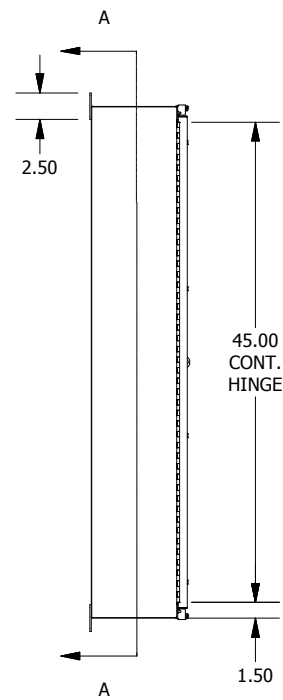
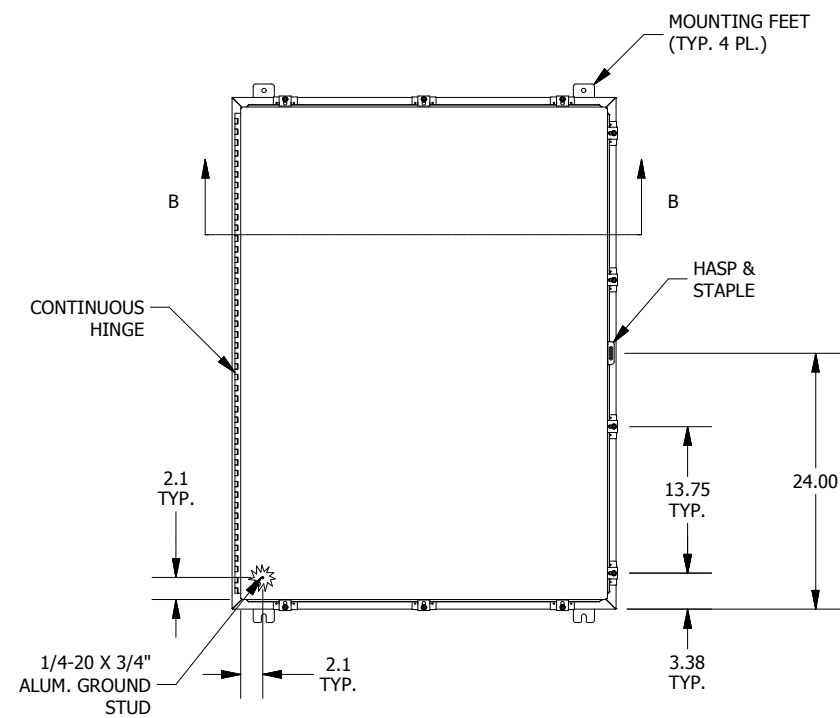


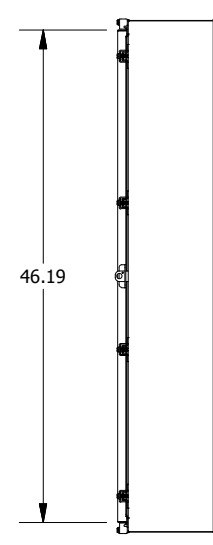
TOP VIEW



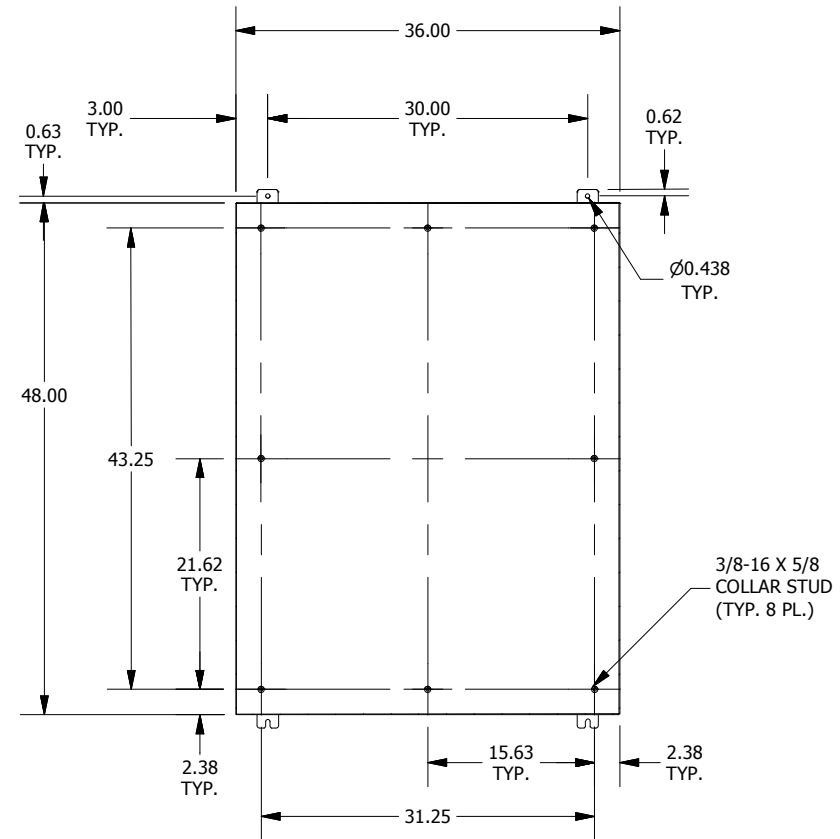
LEFT SIDE



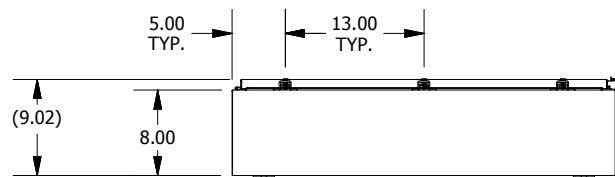
FRONT VIEW



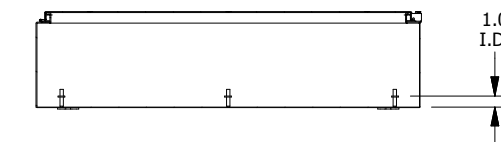
RIGHT SIDE



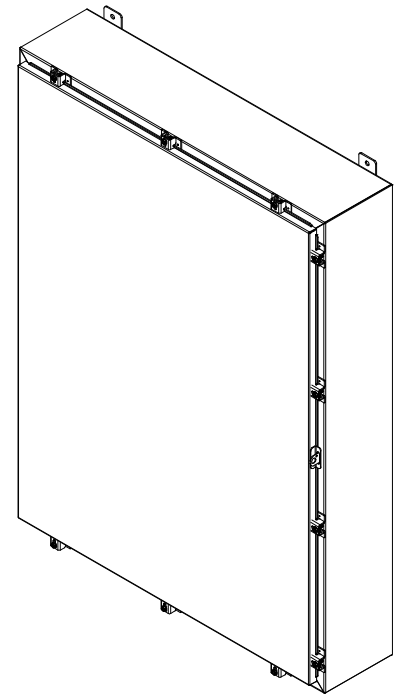
SECTION A-A  
(INSIDE BACK OF TUB)



BOTTOM VIEW



SECTION B-B  
(INSIDE TOP OF ENCLOSURE)



PART #:ALN4483608  
 (DATA SUBJECT TO CHANGE WITHOUT NOTICE)  
 THIS DRAWING IS THE PROPERTY OF HUBBELL INC. WIEGMANN  
 ALL INFORMATION IS PROPRIETARY AND NOT TO BE DUPLICATED