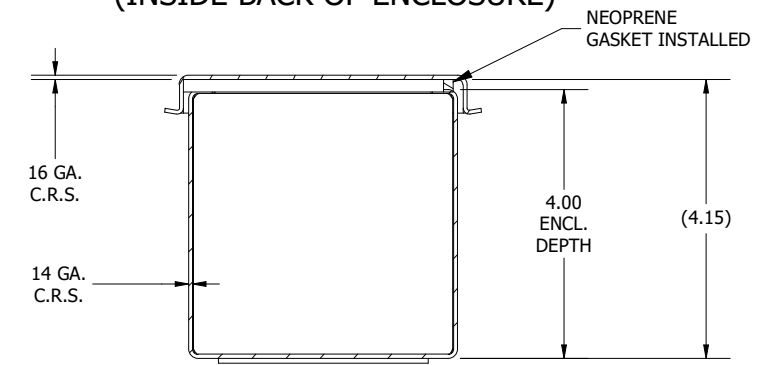
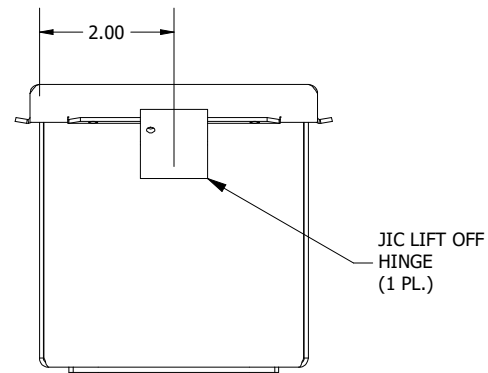


RIGHT SIDE VIEW

SECTION P-P (INSIDE BACK OF ENCLOSURE)



BOTTOM VIEW

SECTION R-R VIEW (INSIDE TOP OF ENCL.)

PART #:B040404

(DATA SUBJECT TO CHANGE WITHOUT NOTICE)

THIS DRAWING IS THE PROPERTY OF HUBBELL INC. WIEGMANN
ALL INFORMATION IS PROPRIETARY AND NOT TO BE DUPLICATED