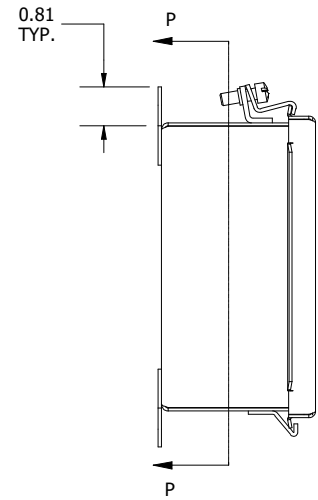
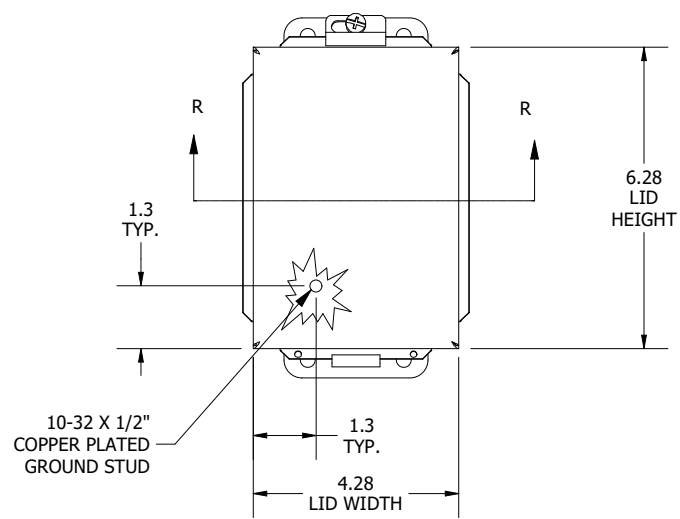


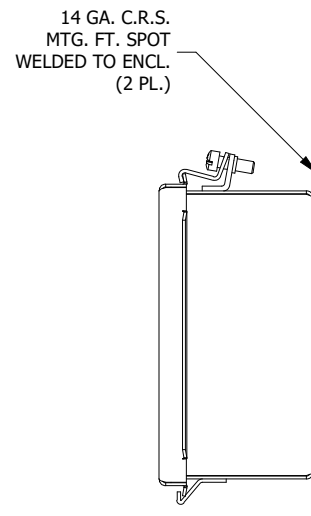
**TOP VIEW**



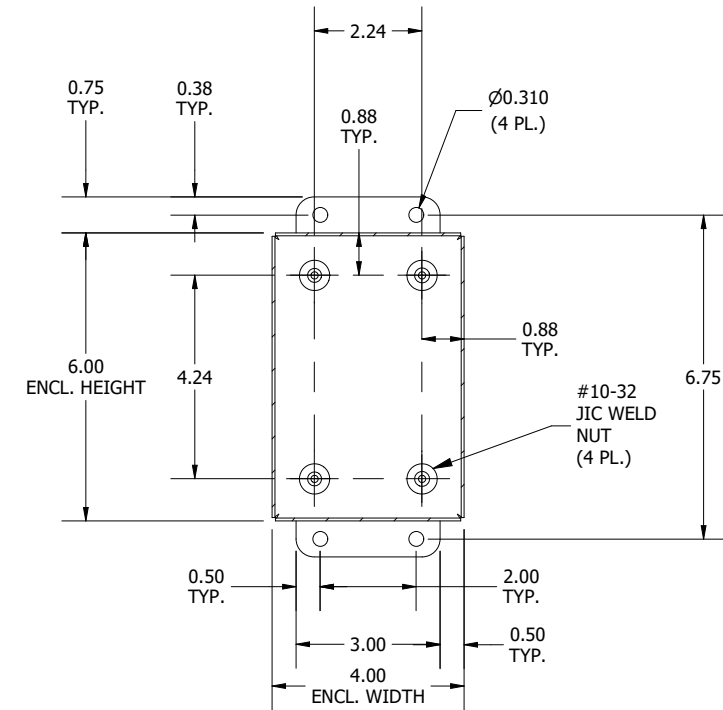
**LEFT SIDE VIEW**



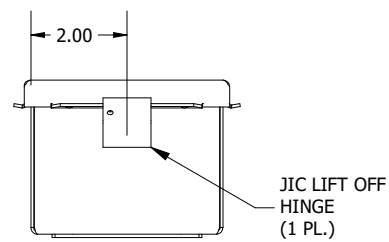
**FRONT VIEW**



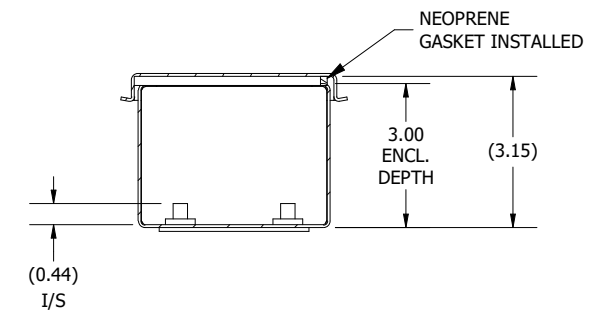
**RIGHT SIDE VIEW**



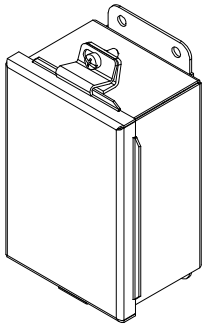
**SECTION P-P  
(INSIDE BACK OF ENCLOSURE)**



**BOTTOM VIEW**



**SECTION R-R VIEW  
(INSIDE TOP OF ENCL.)**



**PART #:B060403**

**(DATA SUBJECT TO CHANGE WITHOUT NOTICE)**

**THIS DRAWING IS THE PROPERTY OF HUBBELL INC. WIEGMANN**

**ALL INFORMATION IS PROPRIETARY AND NOT TO BE DUPLICATED**