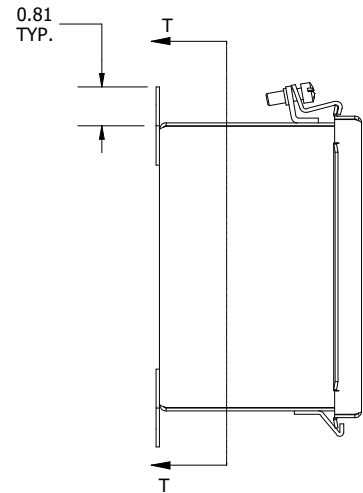
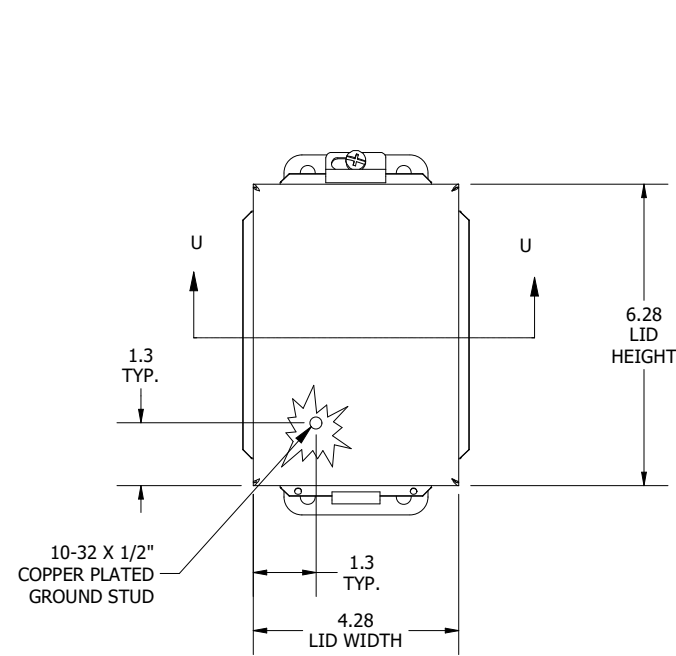


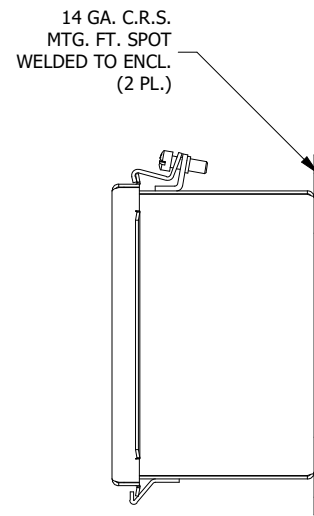
TOP VIEW



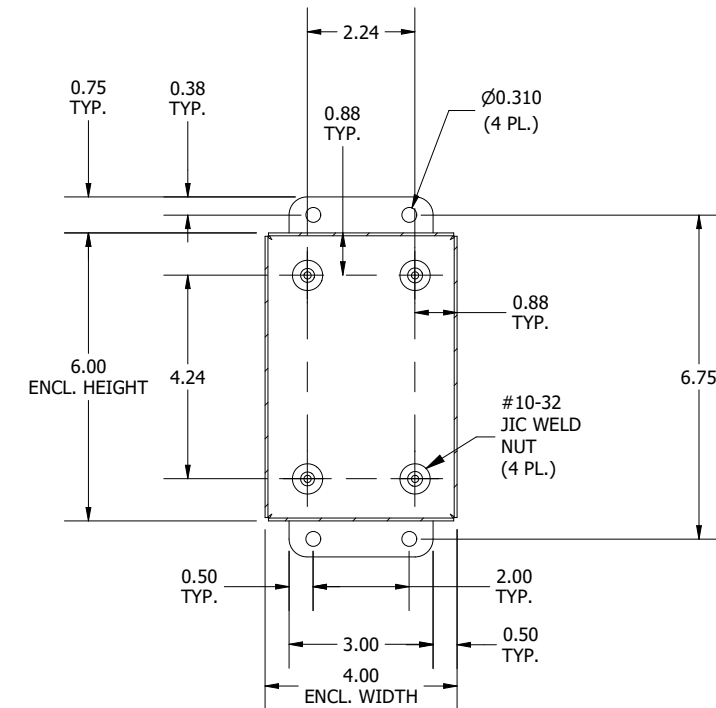
LEFT SIDE VIEW



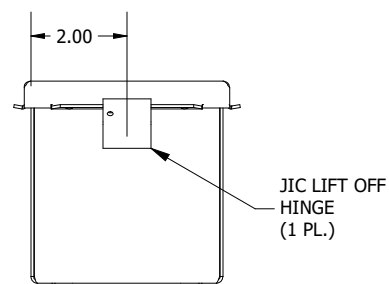
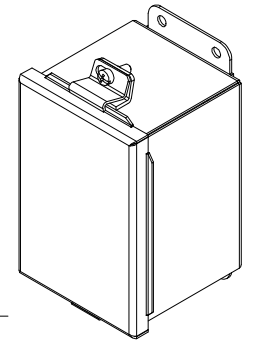
FRONT VIEW



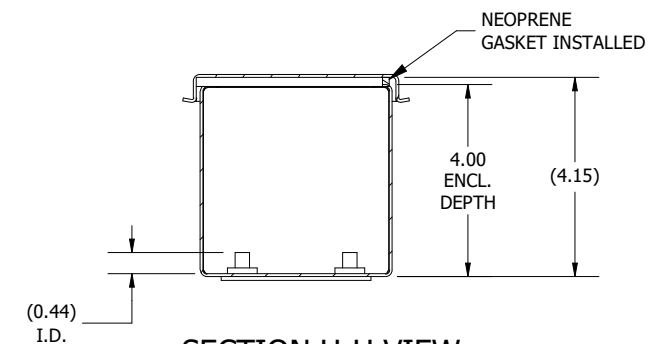
RIGHT SIDE VIEW



**SECTION T-T
(INSIDE BACK OF ENCLOSURE)**



BOTTOM VIEW



**SECTION U-U VIEW
(INSIDE TOP OF ENCL.)**

PART #:B060404

(DATA SUBJECT TO CHANGE WITHOUT NOTICE)

**THIS DRAWING IS THE PROPERTY OF HUBBELL INC. WIEGMANN
ALL INFORMATION IS PROPRIETARY AND NOT TO BE DUPLICATED**