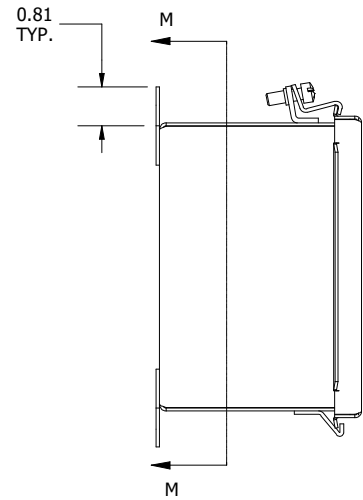
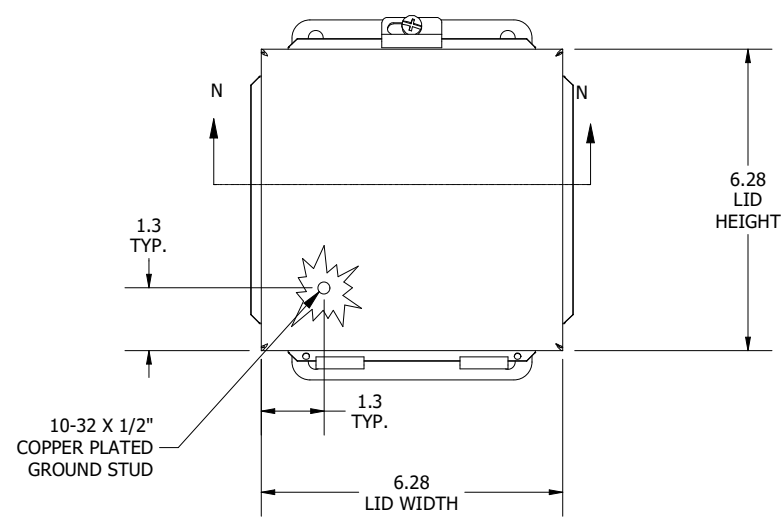


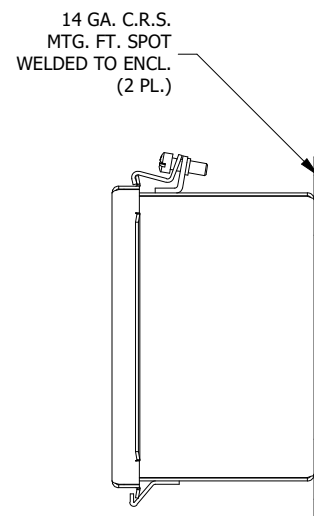
TOP VIEW



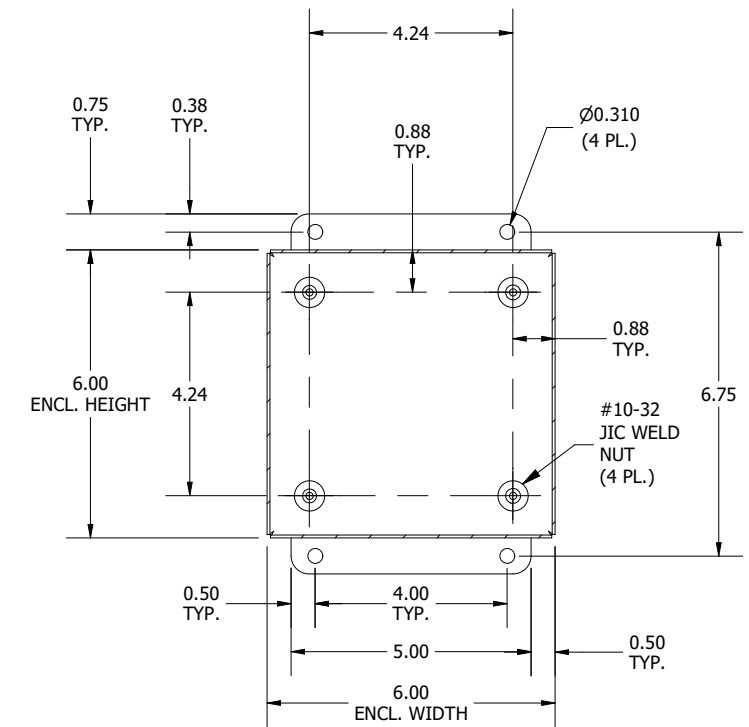
LEFT SIDE VIEW



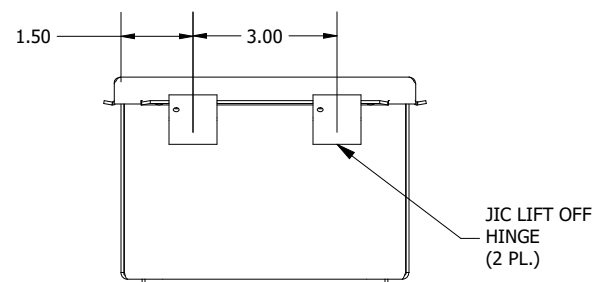
FRONT VIEW



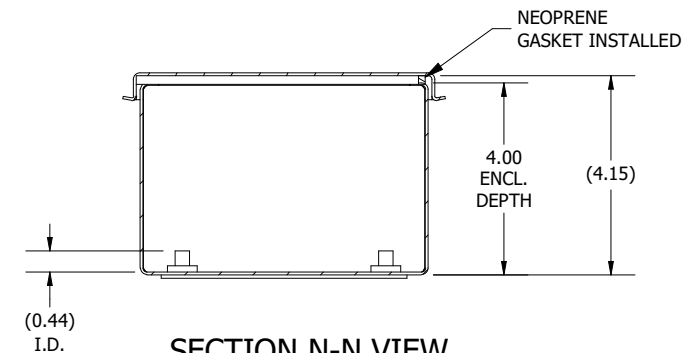
RIGHT SIDE VIEW



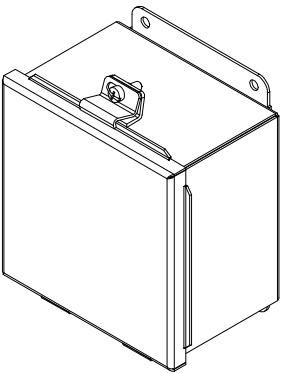
**SECTION M-M
(INSIDE BACK OF ENCLOSURE)**



BOTTOM VIEW



**SECTION N-N VIEW
(INSIDE TOP OF ENCL.)**



PART #:B060604

(DATA SUBJECT TO CHANGE WITHOUT NOTICE)

**THIS DRAWING IS THE PROPERTY OF HUBBELL INC. WIEGMANN
ALL INFORMATION IS PROPRIETARY AND NOT TO BE DUPLICATED**