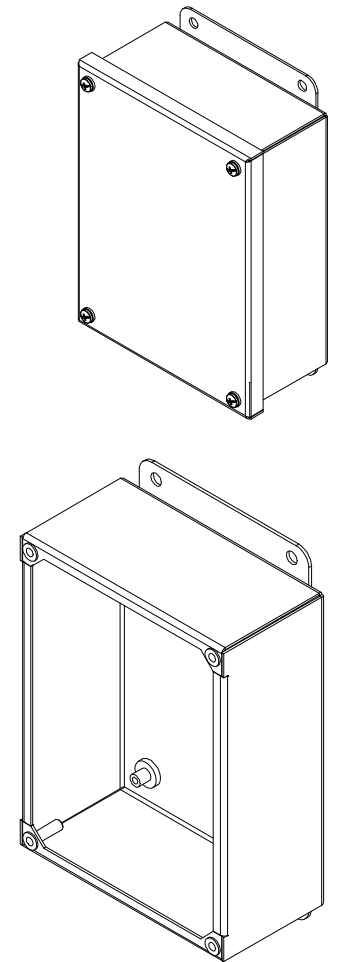
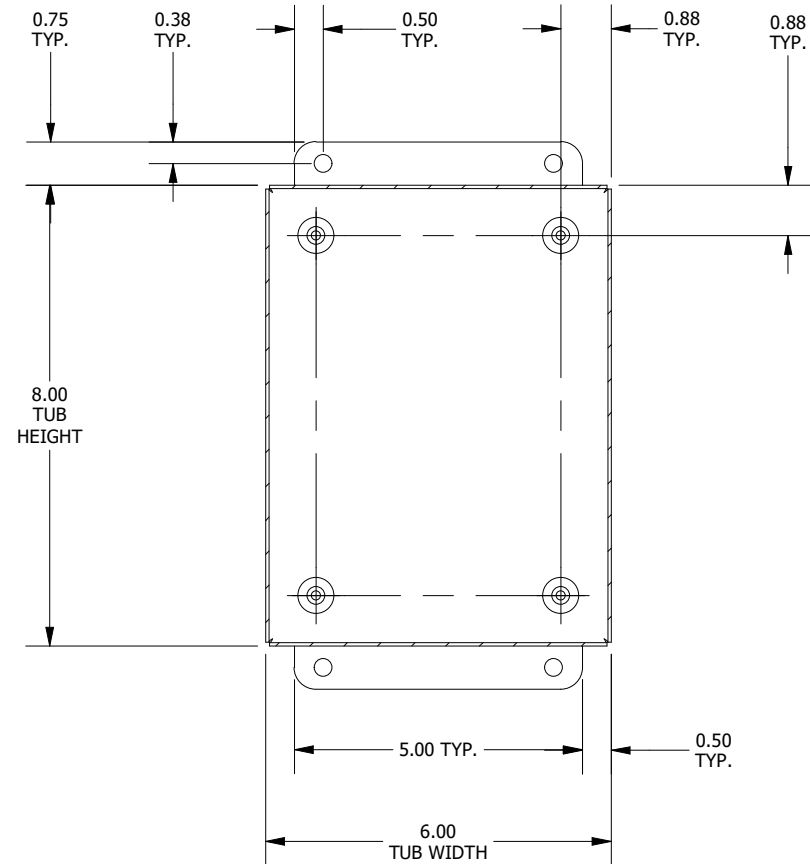
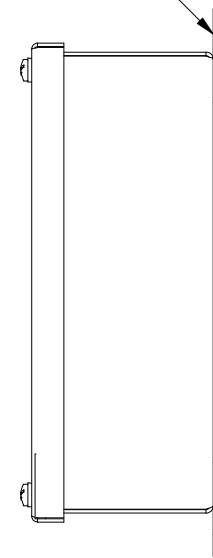


14 GA. C.R.S.
MTG. FT.
(2 PL.)

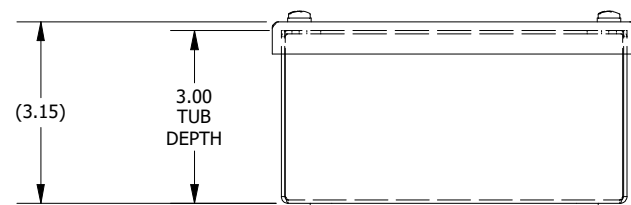


LEFT SIDE VIEW

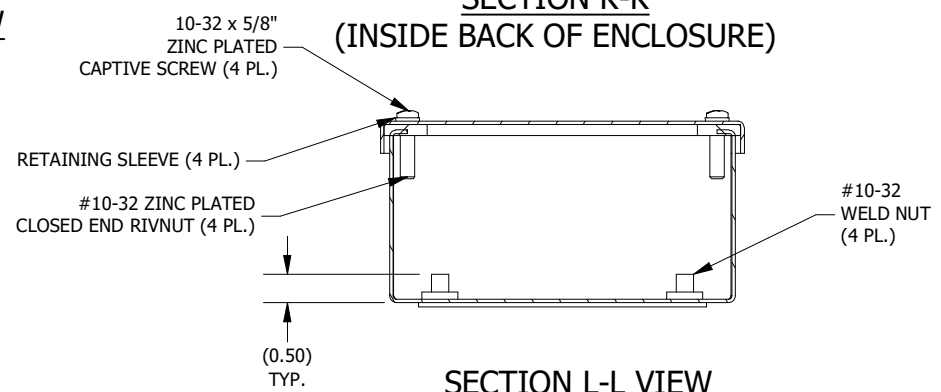
FRONT VIEW

RIGHT SIDE VIEW

**SECTION K-K
(INSIDE BACK OF ENCLOSURE)**



BOTTOM VIEW



**SECTION L-L VIEW
(INSIDE TOP OF ENCL.)**

PART #:B080603SC

(DATA SUBJECT TO CHANGE WITHOUT NOTICE)

THIS DRAWING IS THE PROPERTY OF HUBBELL INC. WIEGMANN
ALL INFORMATION IS PROPRIETARY AND NOT TO BE DUPLICATED