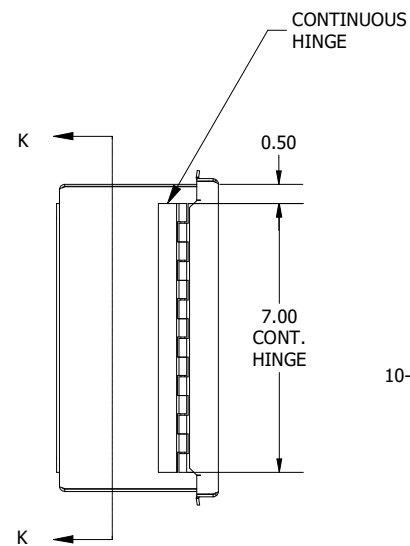
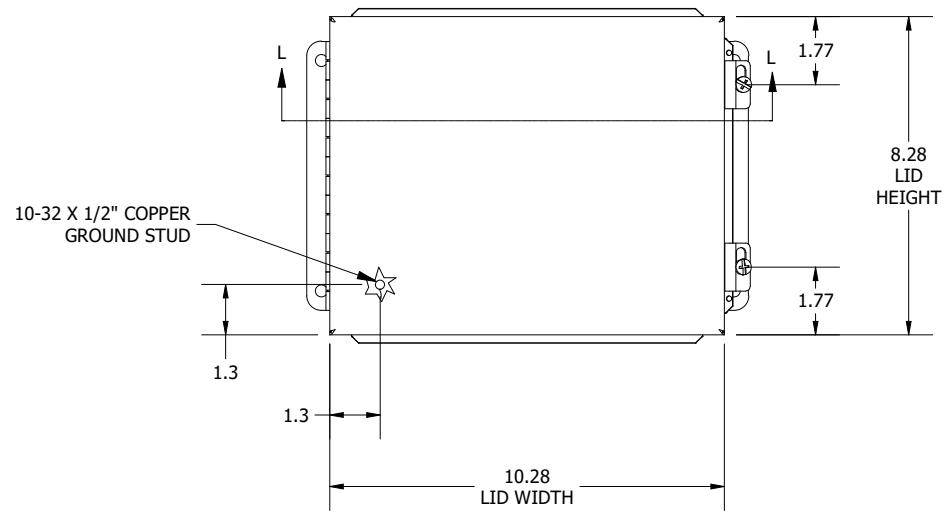


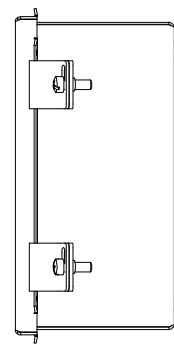
TOP VIEW



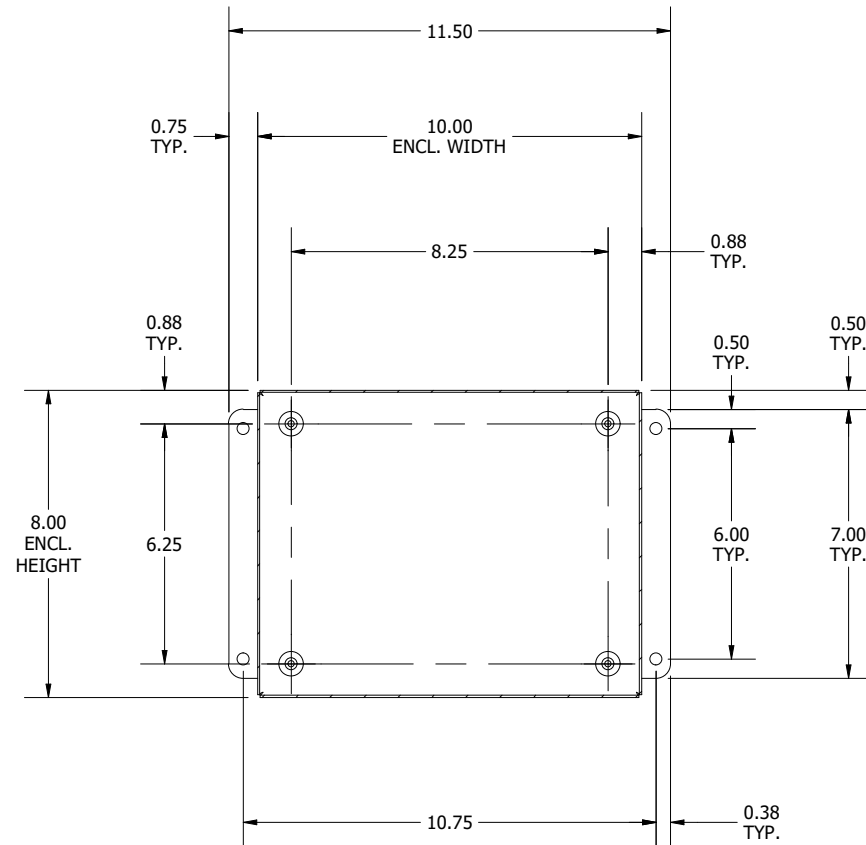
LEFT SIDE VIEW



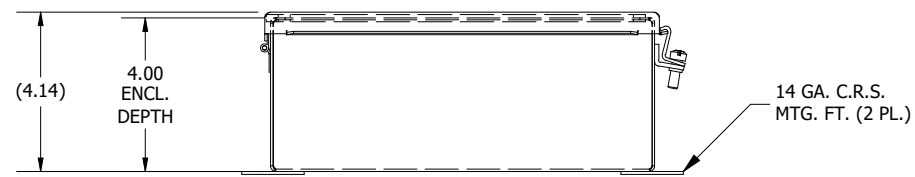
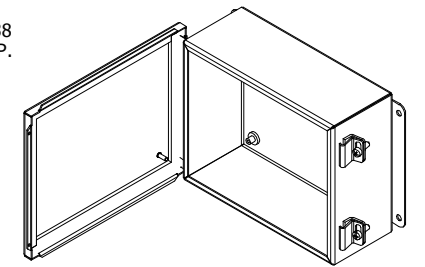
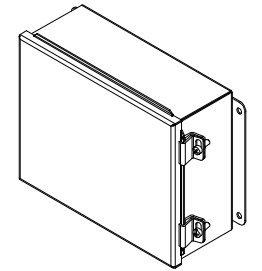
FRONT VIEW



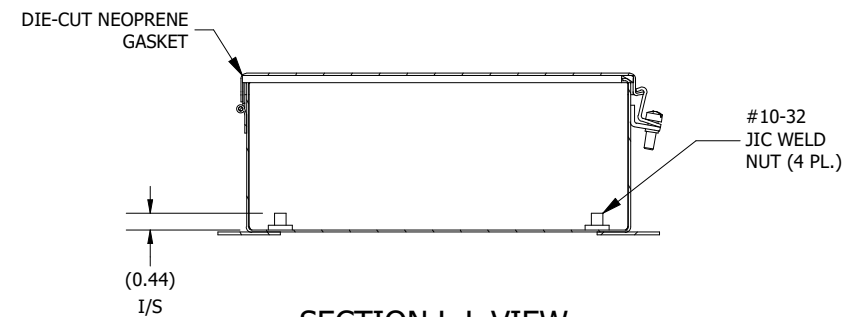
RIGHT SIDE VIEW



SECTION K-K (INSIDE BACK OF ENCLOSURE)



BOTTOM VIEW



SECTION L-L VIEW (INSIDE TOP OF ENCL.)

PART #:B100804CHS
 (DATA SUBJECT TO CHANGE WITHOUT NOTICE)
 THIS DRAWING IS THE PROPERTY OF HUBBELL INC. WIEGMANN
 ALL INFORMATION IS PROPRIETARY AND NOT TO BE DUPLICATED