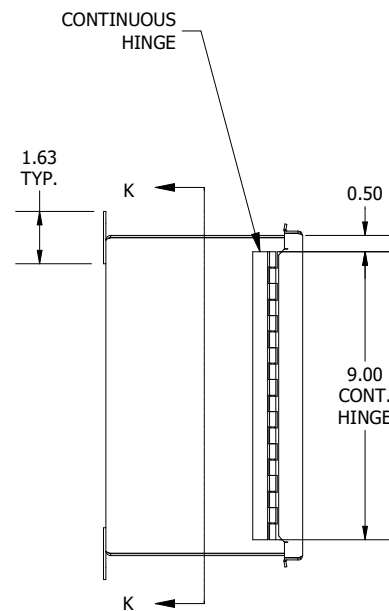
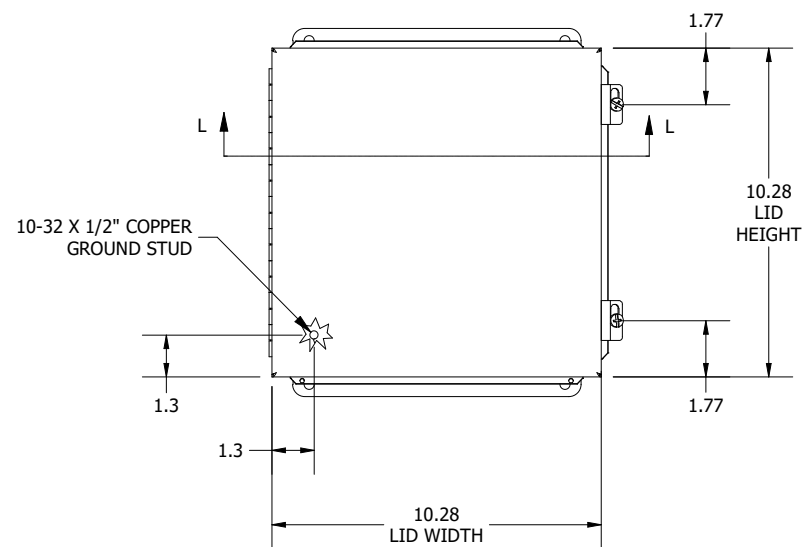


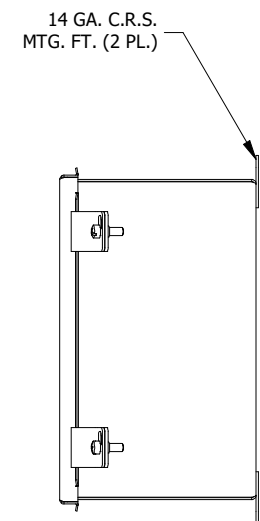
TOP VIEW



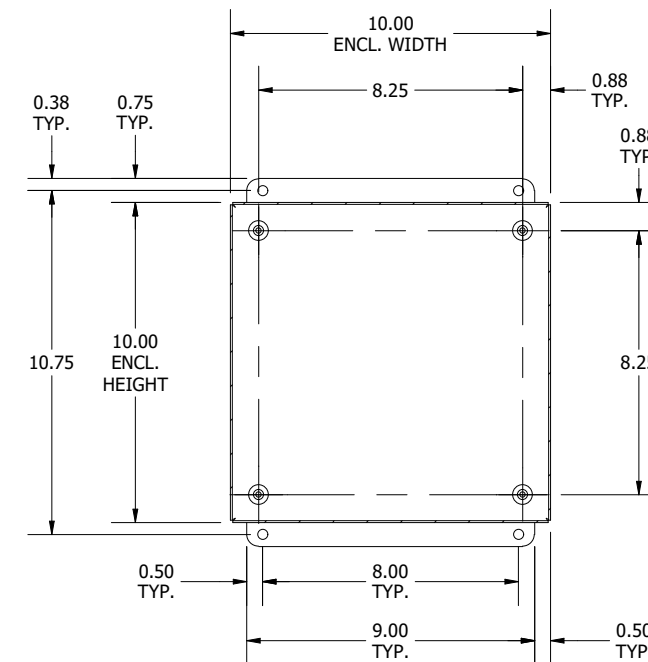
LEFT SIDE VIEW



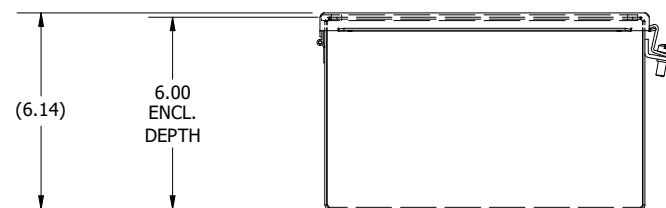
FRONT VIEW



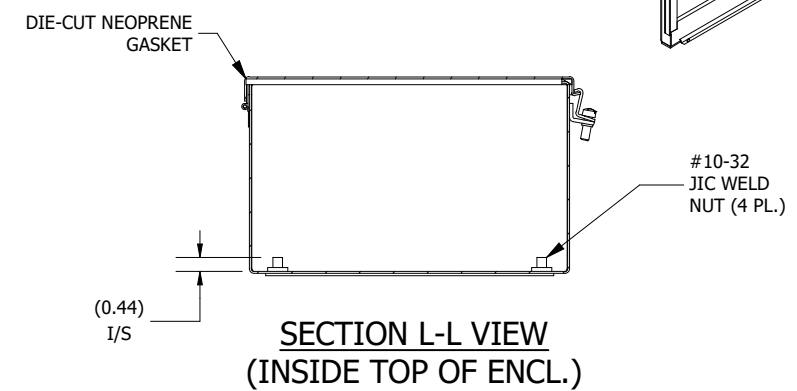
RIGHT SIDE VIEW



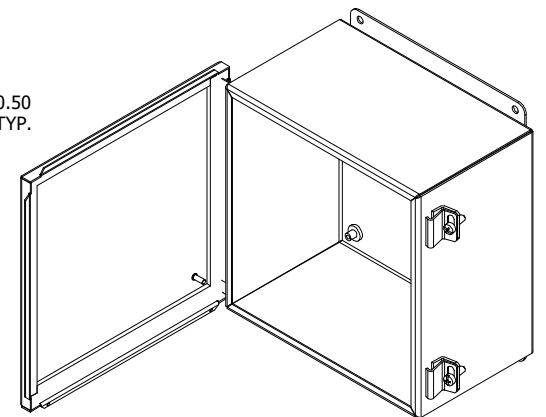
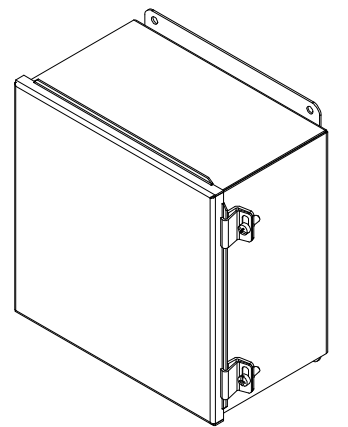
SECTION K-K  
(INSIDE BACK OF ENCLOSURE)



BOTTOM VIEW



SECTION L-L VIEW  
(INSIDE TOP OF ENCL.)



PART #:B101006CH  
 (DATA SUBJECT TO CHANGE WITHOUT NOTICE)  
 THIS DRAWING IS THE PROPERTY OF HUBBELL INC. WIEGMANN  
 ALL INFORMATION IS PROPRIETARY AND NOT TO BE DUPLICATED