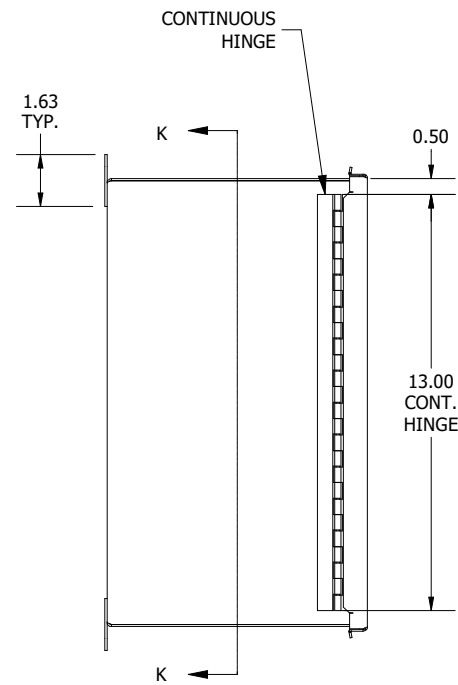
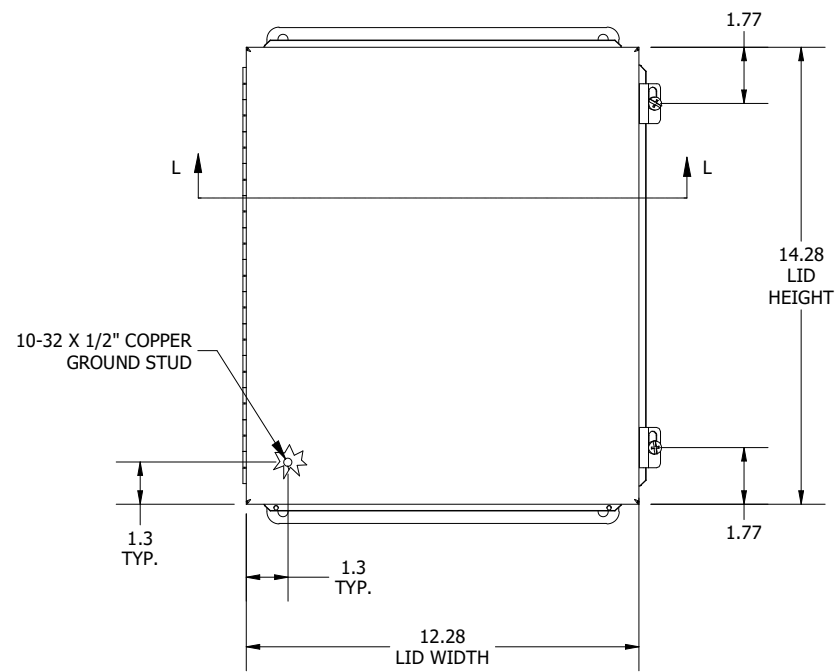


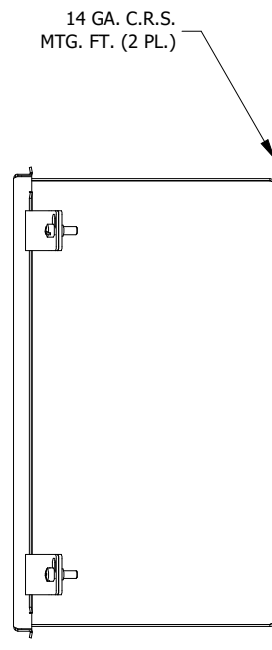
TOP VIEW



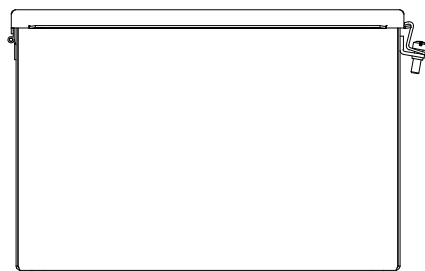
LEFT SIDE VIEW



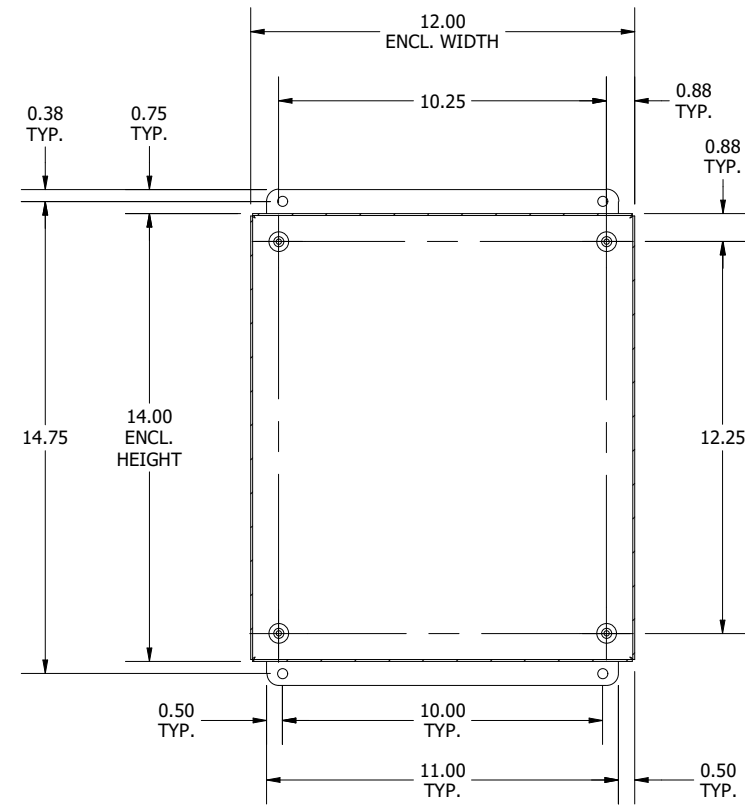
FRONT VIEW



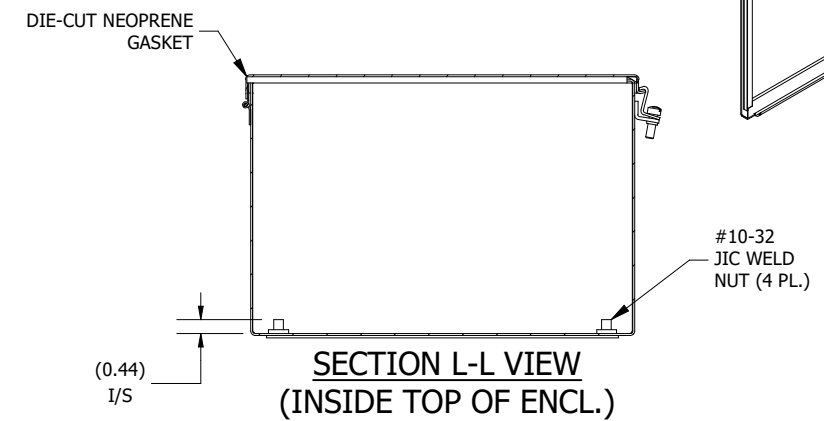
RIGHT SIDE VIEW



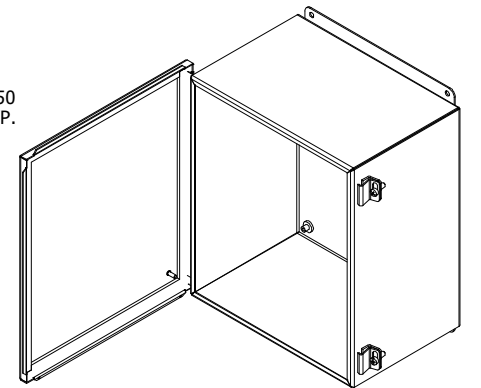
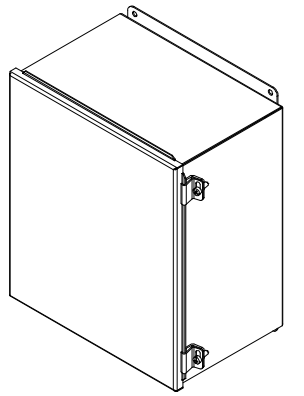
BOTTOM VIEW



**SECTION K-K
(INSIDE BACK OF ENCLOSURE)**



**SECTION L-L VIEW
(INSIDE TOP OF ENCL.)**



PART #:B141208CH
 (DATA SUBJECT TO CHANGE WITHOUT NOTICE)
 THIS DRAWING IS THE PROPERTY OF HUBBELL INC. WIEGMANN
 ALL INFORMATION IS PROPRIETARY AND NOT TO BE DUPLICATED