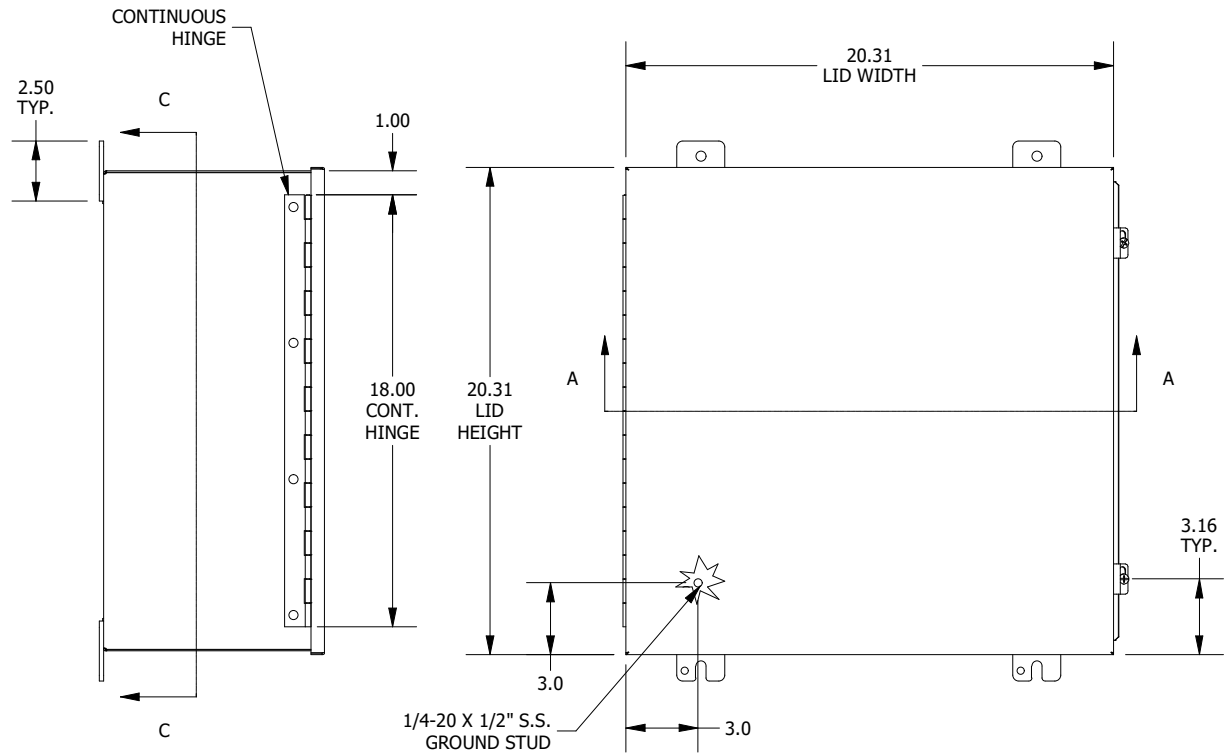


TOP VIEW

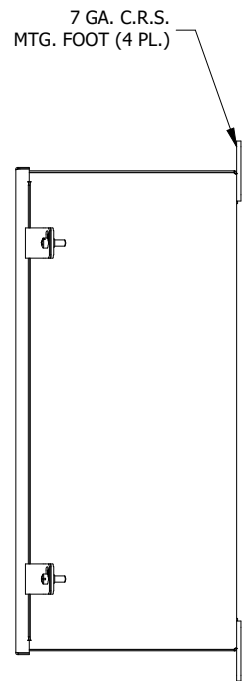


LEFT SIDE VIEW

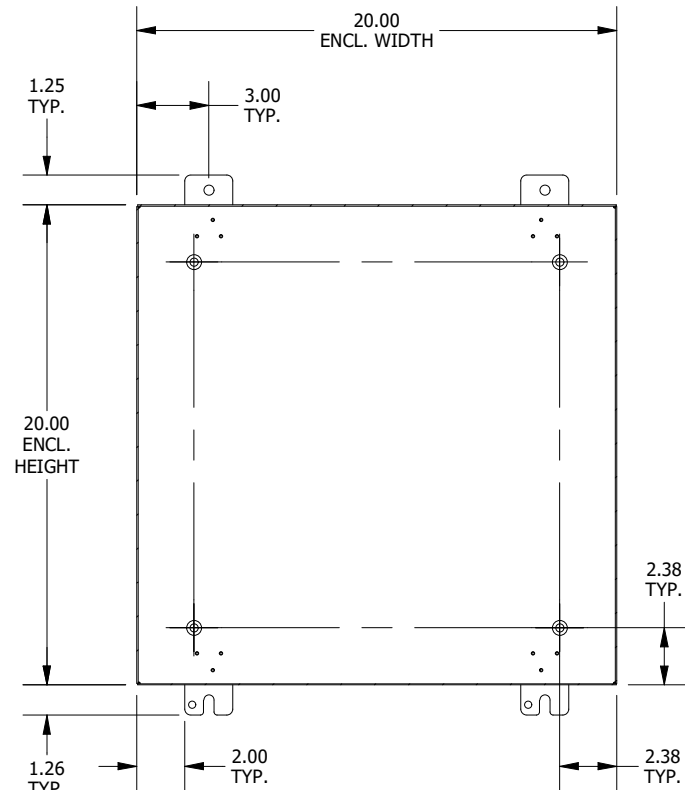
FRONT VIEW



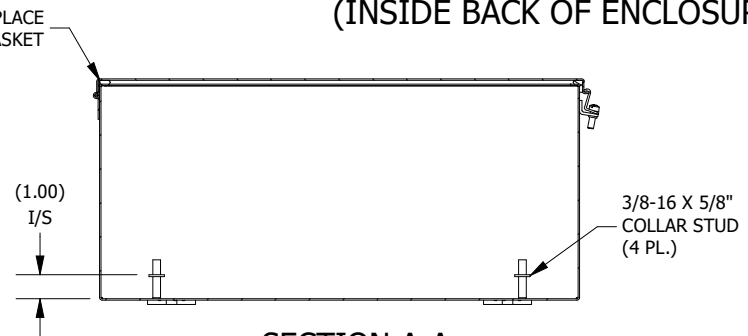
BOTTOM VIEW



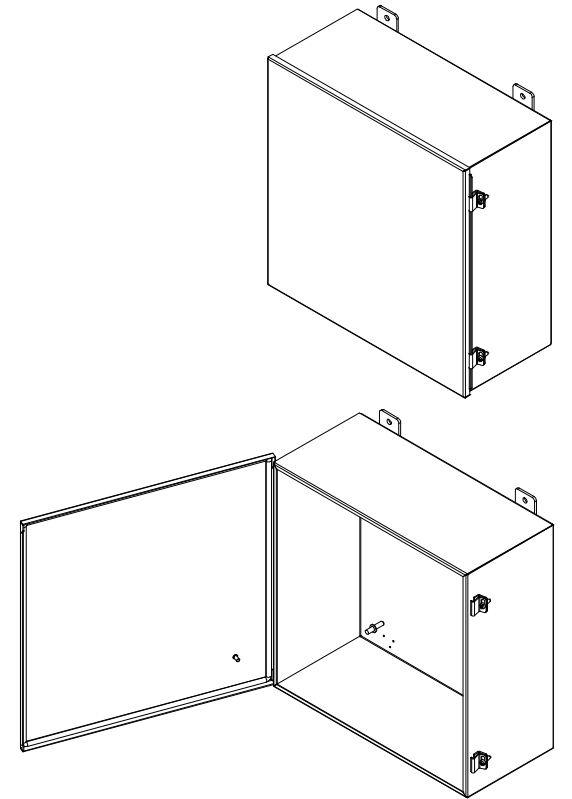
RIGHT SIDE VIEW



SECTION C-C  
(INSIDE BACK OF ENCLOSURE)



SECTION A-A  
(INSIDE BOTTOM OF ENCLOSURE)



PART #:B202009CH  
 (DATA SUBJECT TO CHANGE WITHOUT NOTICE)  
 THIS DRAWING IS THE PROPERTY OF HUBBELL INC. WIEGMANN  
 ALL INFORMATION IS PROPRIETARY AND NOT TO BE DUPLICATED