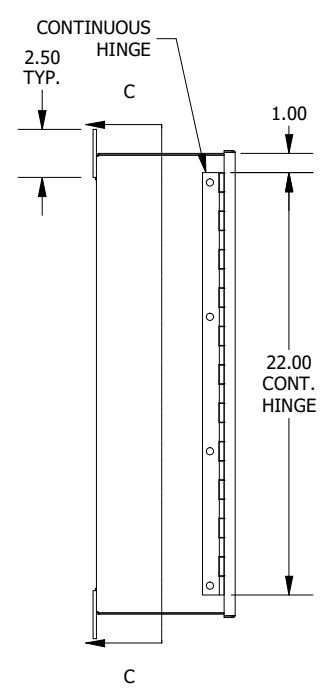
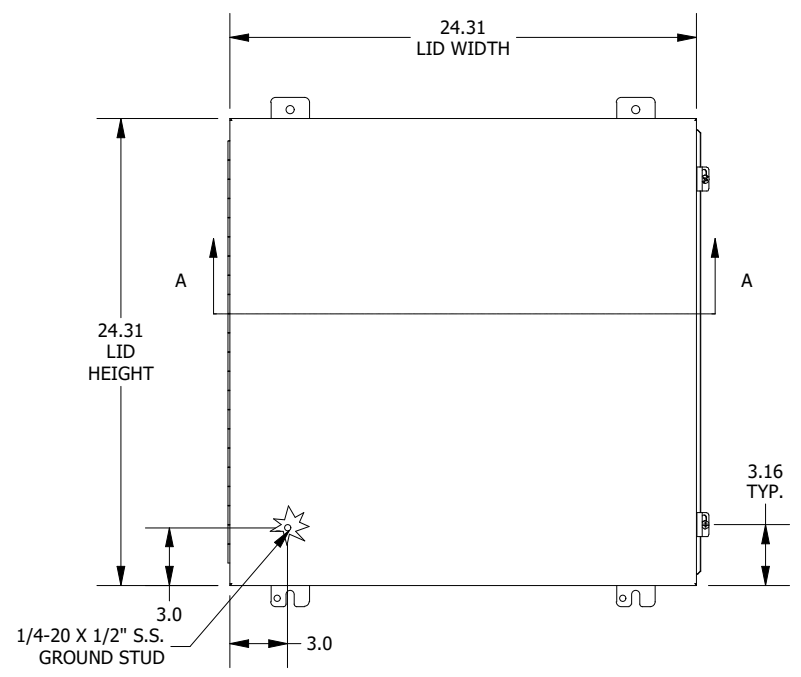


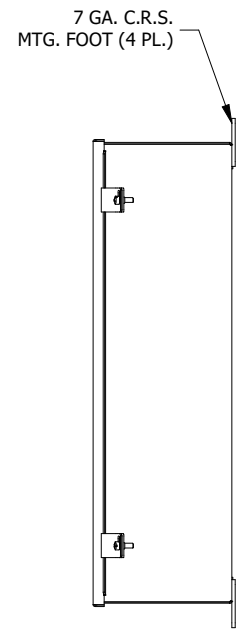
TOP VIEW



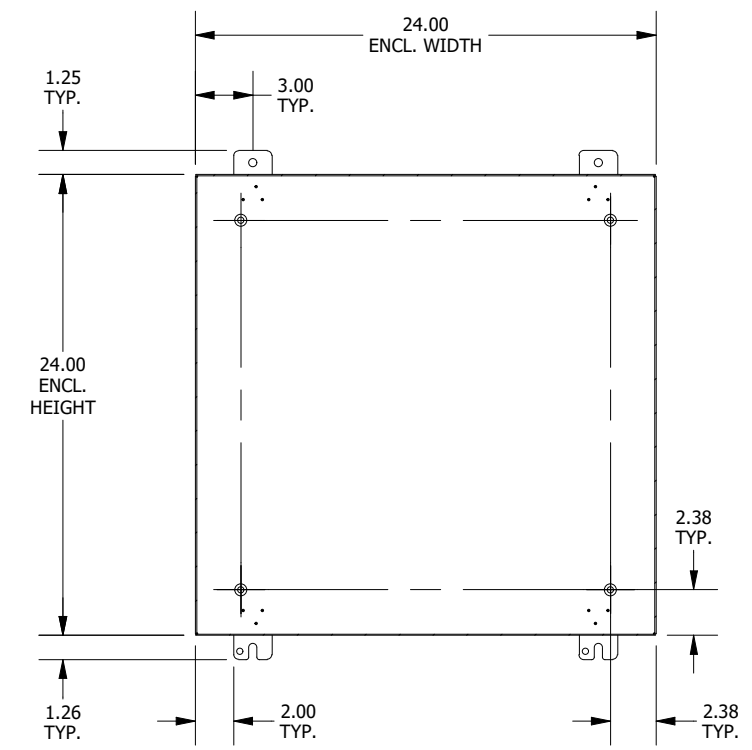
LEFT SIDE VIEW



FRONT VIEW



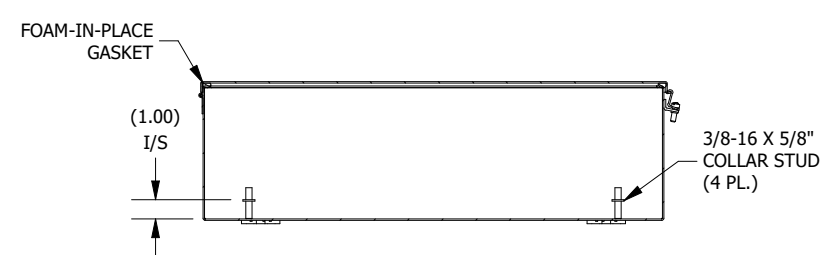
RIGHT SIDE VIEW



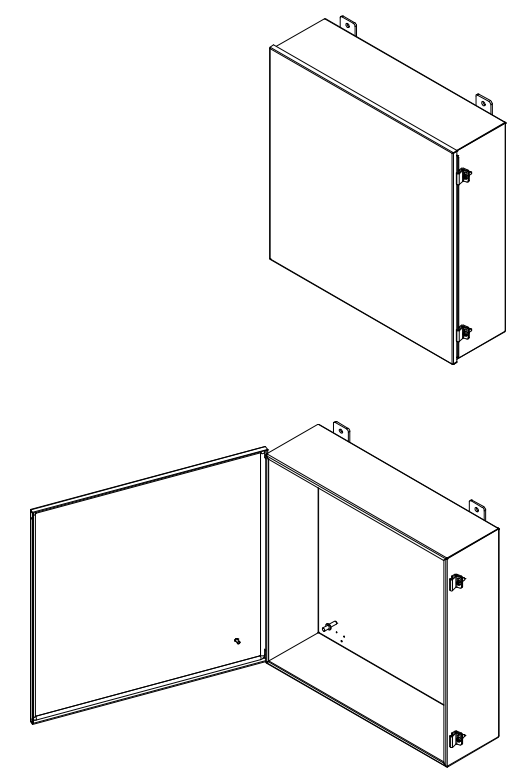
SECTION C-C
(INSIDE BACK OF ENCLOSURE)



BOTTOM VIEW



SECTION A-A
(INSIDE BOTTOM OF ENCLOSURE)



PART #:B242407CH
 (DATA SUBJECT TO CHANGE WITHOUT NOTICE)
 THIS DRAWING IS THE PROPERTY OF HUBBELL INC. WIEGMANN
 ALL INFORMATION IS PROPRIETARY AND NOT TO BE DUPLICATED