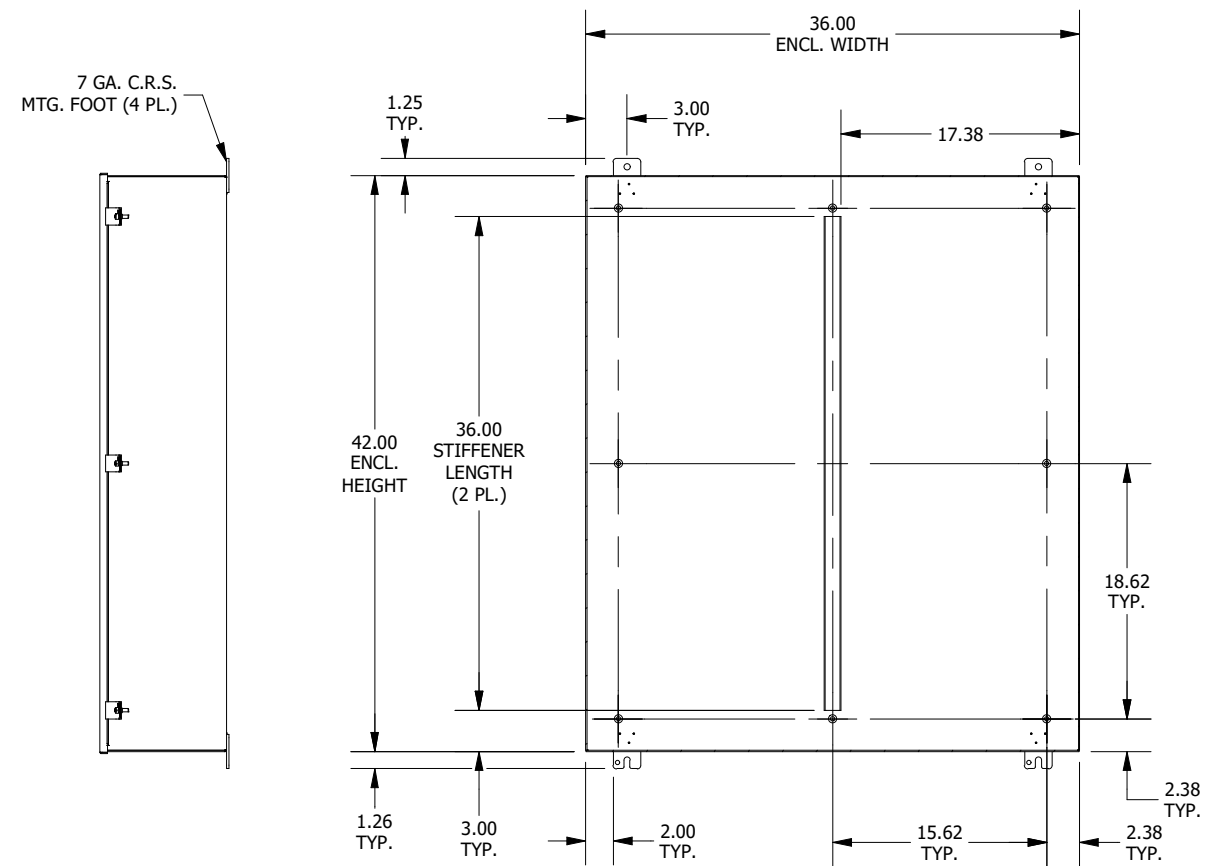


LEFT SIDE VIEW

FRONT VIEW

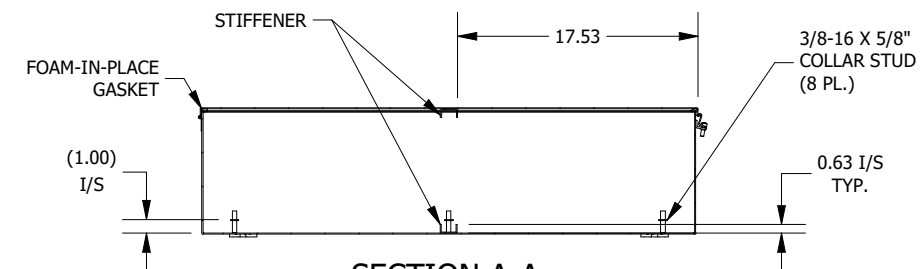


RIGHT SIDE VIEW

SECTION C-C
(INSIDE BACK OF ENCLOSURE)



BOTTOM VIEW



SECTION A-A
(INSIDE BOTTOM OF ENCLOSURE)

PART #:B423609CH

(DATA SUBJECT TO CHANGE WITHOUT NOTICE)

THIS DRAWING IS THE PROPERTY OF HUBBELL INC. WIEGMANN
ALL INFORMATION IS PROPRIETARY AND NOT TO BE DUPLICATED