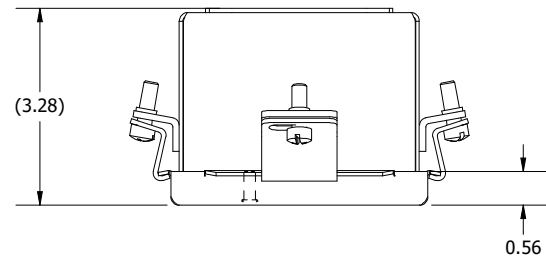
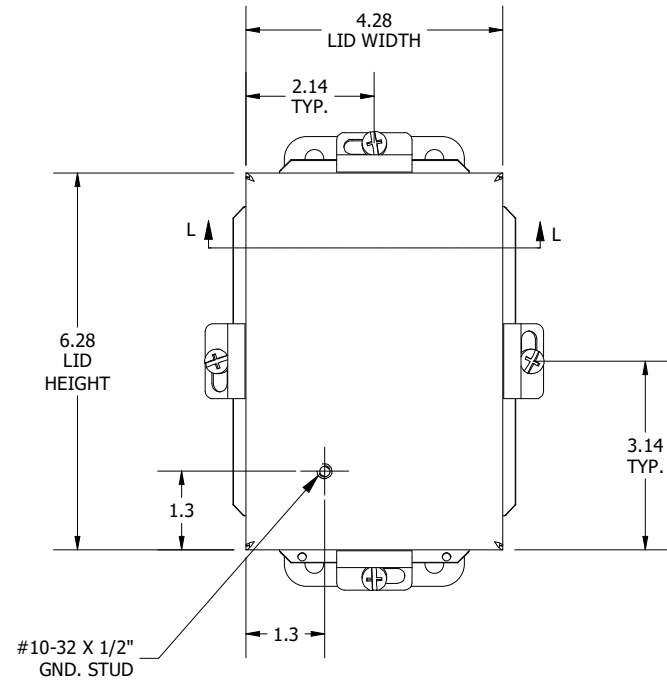


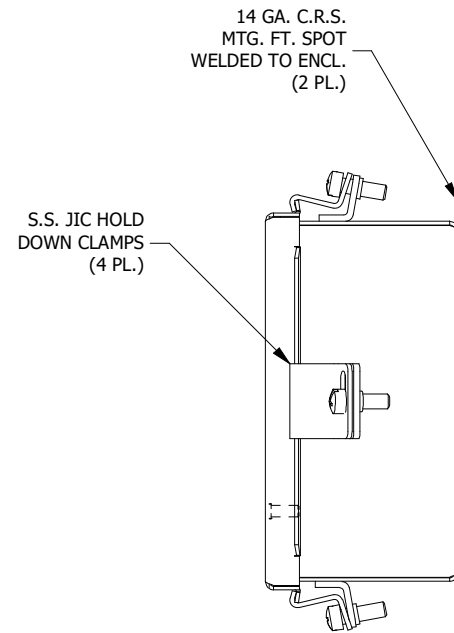
**LEFT SIDE VIEW**



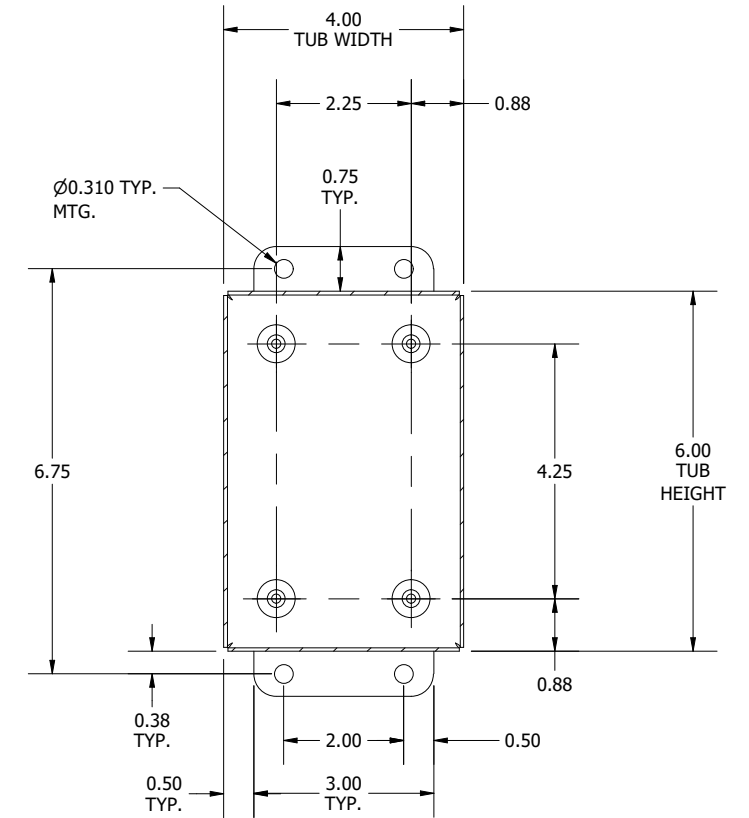
**TOP VIEW**



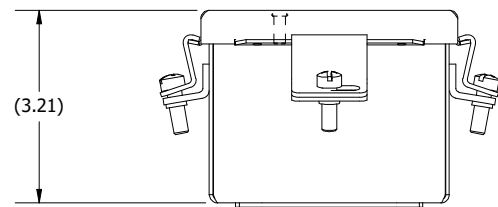
**FRONT VIEW**



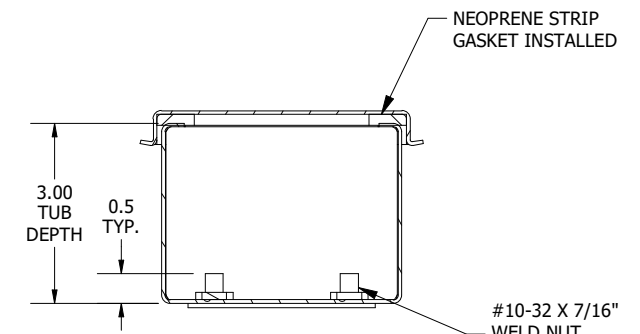
**RIGHT SIDE VIEW**



**SECTION K-K VIEW  
(INSIDE BACK OF ENCL.)**



**BOTTOM VIEW**



**SECTION L-L VIEW  
(INSIDE TOP OF ENCL.)**

**PART #:BN4060403**

**(DATA SUBJECT TO CHANGE WITHOUT NOTICE)**

**THIS DRAWING IS THE PROPERTY OF HUBBELL INC. WIEGMANN**

**ALL INFORMATION IS PROPRIETARY AND NOT TO BE DUPLICATED**