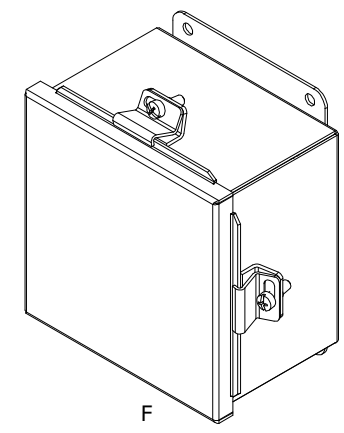
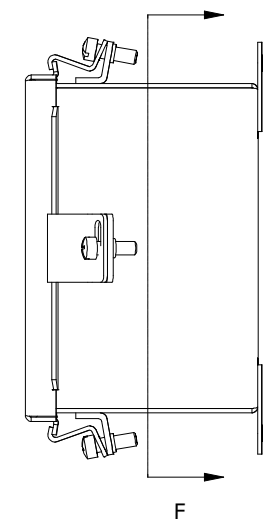


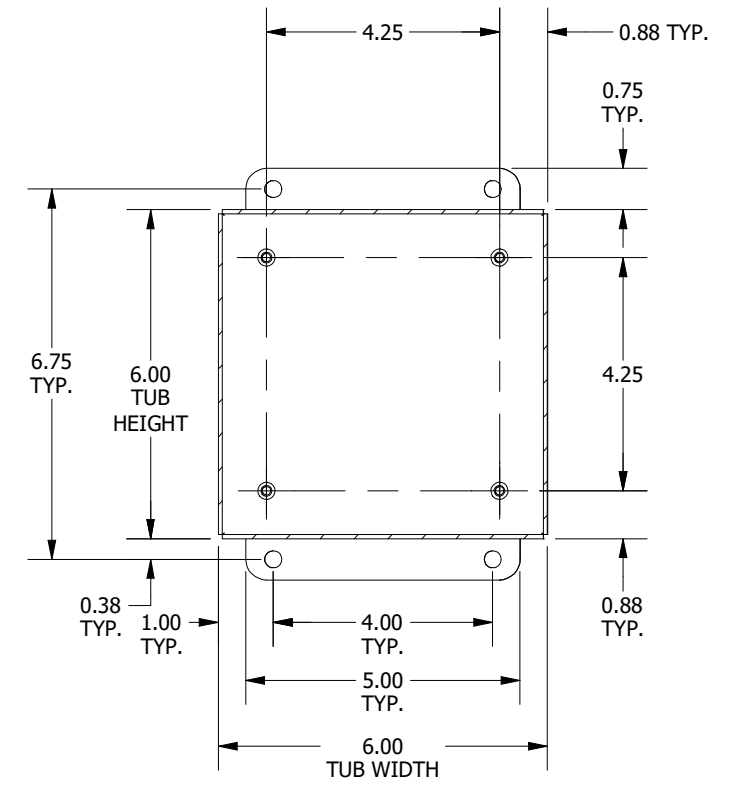
TOP VIEW



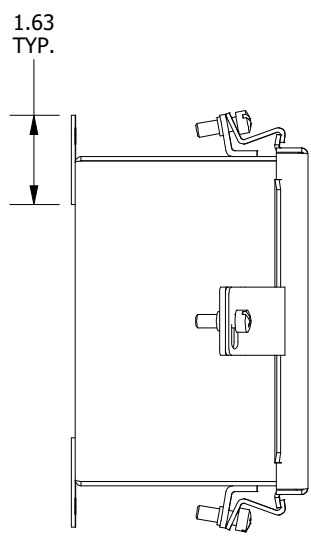
F



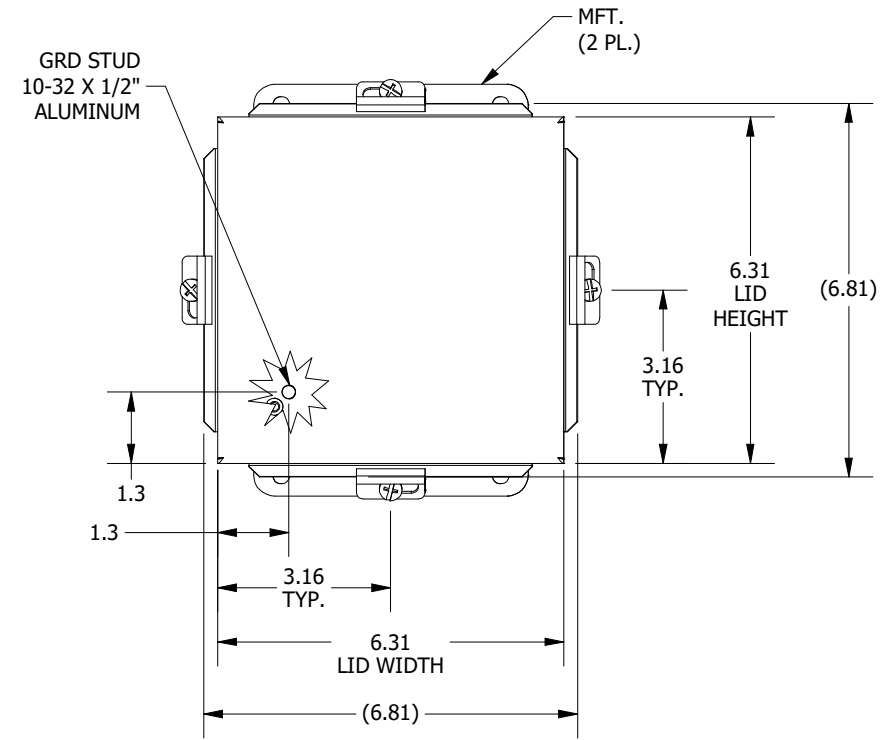
RIGHT SIDE VIEW



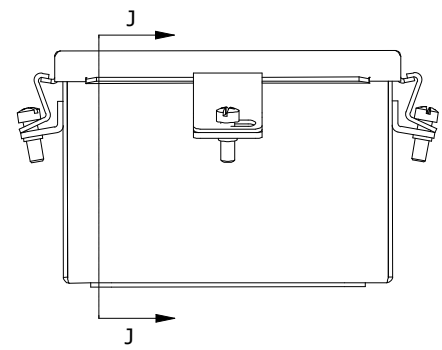
**SECTION F-F
(INSIDE BACK VIEW)**



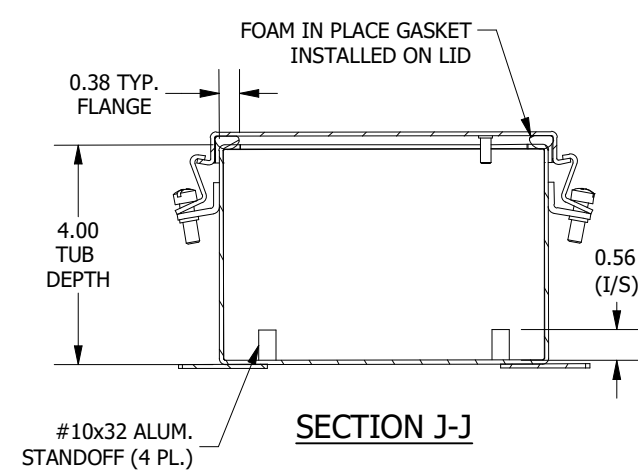
LEFT SIDE VIEW



FRONT VIEW



BOTTOM VIEW



SECTION J-J

PART #:BN4060604AL
 (DATA SUBJECT TO CHANGE WITHOUT NOTICE)
 THIS DRAWING IS THE PROPERTY OF HUBBELL INC. WIEGMANN
 ALL INFORMATION IS PROPRIETARY AND NOT TO BE DUPLICATED