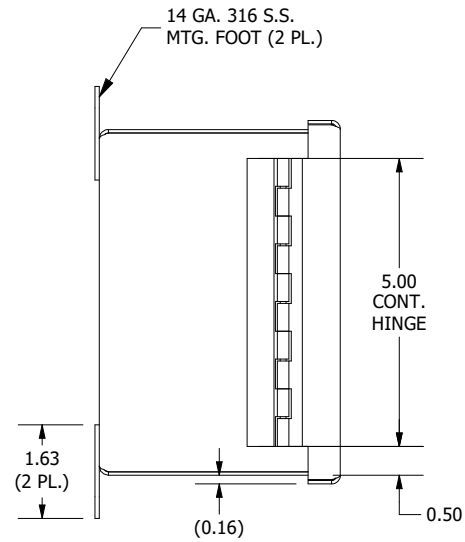
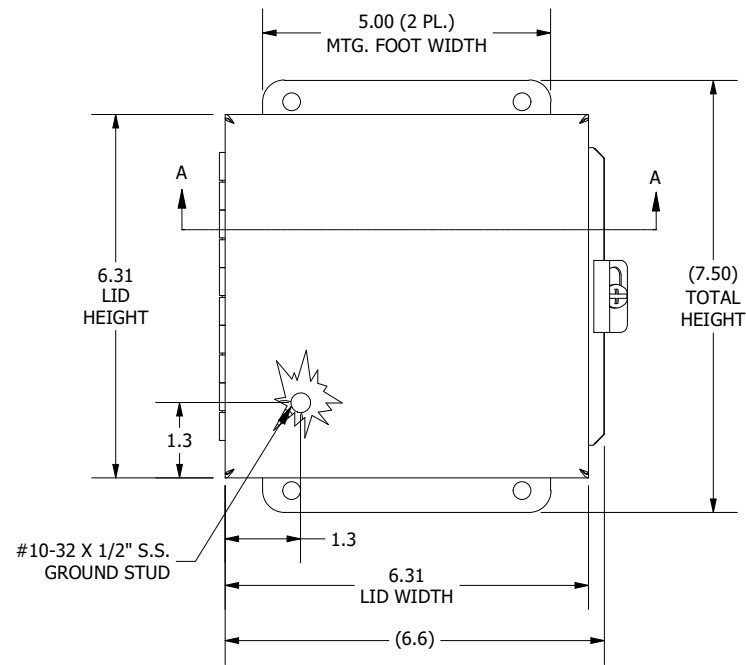


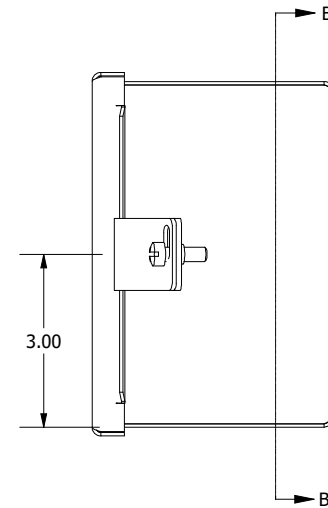
TOP VIEW



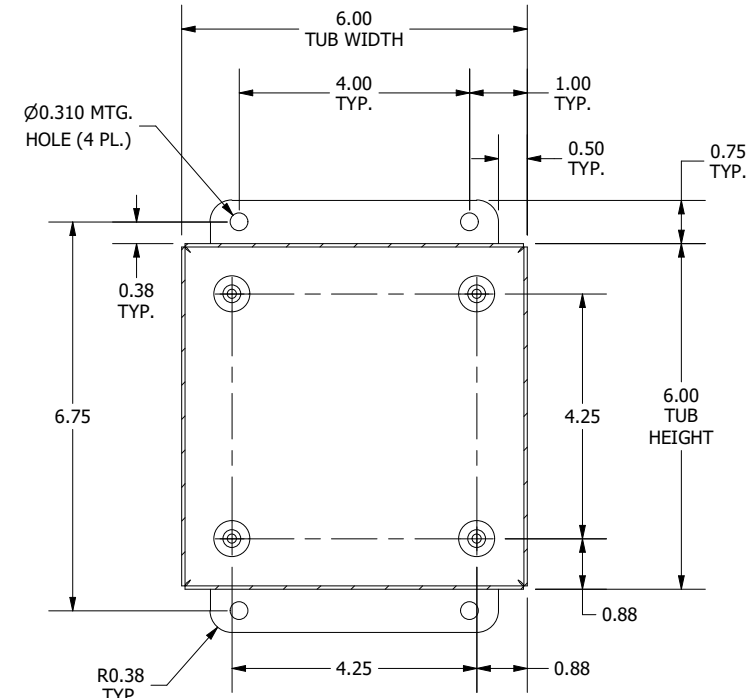
LEFT SIDE VIEW



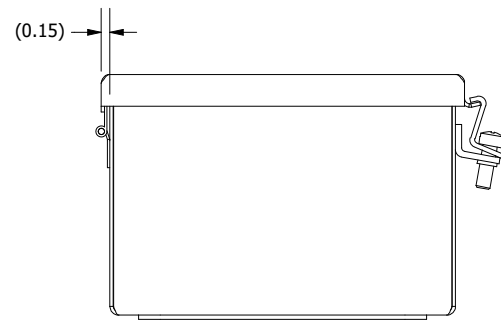
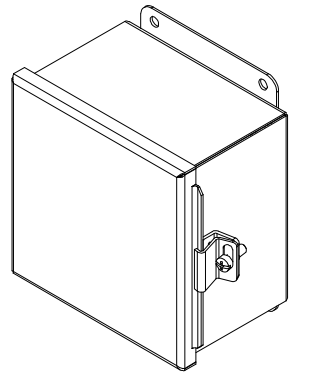
FRONT VIEW



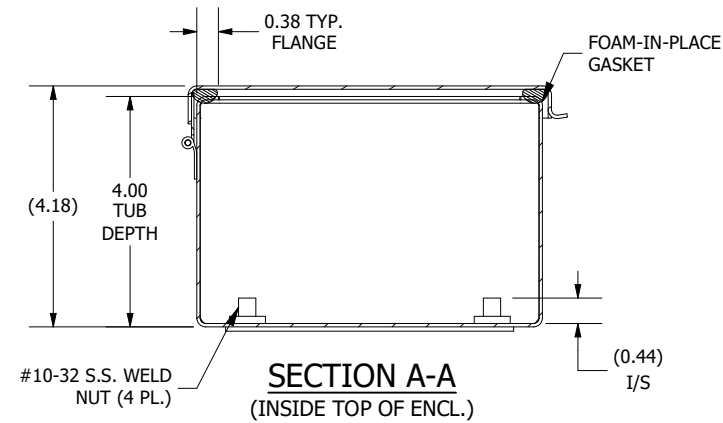
RIGHT SIDE VIEW



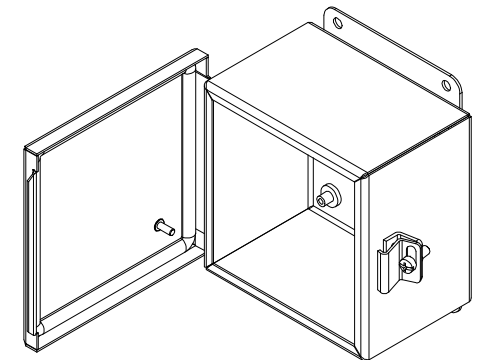
**SECTION B-B
(INSIDE BACK OF ENCL.)**



BOTTOM VIEW



**SECTION A-A
(INSIDE TOP OF ENCL.)**



PART #:BN4060604CHSSA
 (DATA SUBJECT TO CHANGE WITHOUT NOTICE)
 THIS DRAWING IS THE PROPERTY OF HUBBELL INC. WIEGMANN
 ALL INFORMATION IS PROPRIETARY AND NOT TO BE DUPLICATED